

PROJECT:

NOTES:

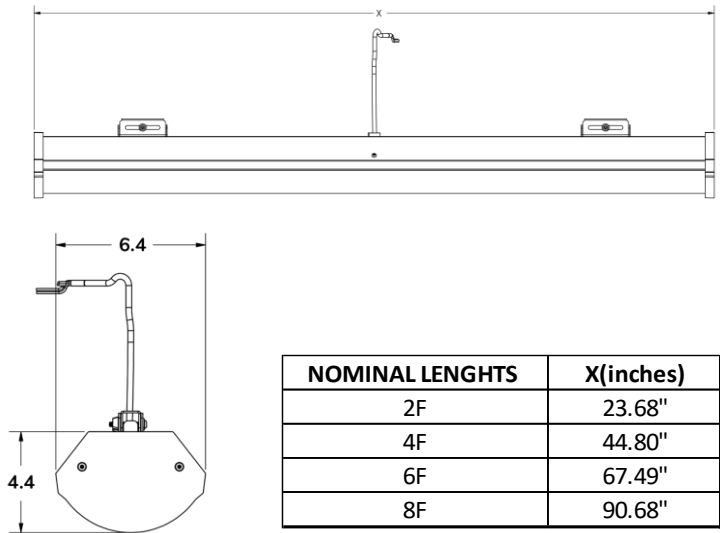
ORDERING INFORMATION:



PUCSW - 4F - 40 - 9 - 40 - MV - EM - BK - D1

SERIES NOM. LENGTH LUMENS CRI KELVINS VOLTAGE OPTIONS FINISH DRIVER

SHOP DRAWINGS



NOMINAL LENGTHS	X(inches)
2F	23.68"
4F	44.80"
6F	67.49"
8F	90.68"



ORDERING INFORMATION

SERIES
PUCSW

NOMINAL LENGTH

2F	24"
4F	45"
6F	68"
8F	91"

LUMENS

Lumen Package*	Nominal Lumens
2F	
20	2,000
40	4,000
4F	
40	4,000
60	6,000
80	8,000
6F	
60	6,000
80	8,000
100	10,000
8F	
120	12,000
140	14,000
160	16,000

*Other lumen packages are available.

CRI

BLANK	80 CRI
9	90 CRI

KELVIN

30	3000K
35	3500K
40	4000K
50	5000K
TW	Tunable White

VOLTAGE

MV	120-277V
347	347V

OPTIONS

AC#	Suspension Aircraft Cable #ft
BC#	Black Cab Tire Wire #ft
WC#	White Cab Tire Wire #ft
EM	Emergency Power Pack
OS	Internal occupancy and daylight harvesting sensor
H5	Opal overlay for better diffusion*
AB	Amber LED**

*The overlay diffuser will reduce efficacy by 15-20%
**Lumen package to be determine

FINISH

BLANK	White
BK	Texture Matte Black
AM	Antimicrobial White
MW	Texture Matte White

DRIVER

ND	Non-dimming applications
D	0-10V dimming
D1	0-10V dimming to 1%
DA	DALI Driver

FEATURES

- > Architectural high-abuse surface or pendant-mounted wraparound LED luminaire with robust yet stylish construction
- > Cast aluminium end caps
- > UV-stabilized, high-impact extruded polycarbonate lens locked in place with gasketed tamper-resistant stainless steel screws
- > Minimum 80 CRI; color range 3000K - 5000K available
- > Tunable White option available
- > Mounting accessories available for surface or suspended mounting
- > Multiple dimming protocols available
- > Wet locations rated

APPLICATIONS

- > Rough service applications
- > Stairwells
- > Corridors
- > Locker rooms
- > Schools
- > Public Areas

FIXTURE PERFORMANCE DATA

SPECIFICATIONS

Housing – Precision die-formed 16-gauge galvalneal corrosion resistant. Die cast impact resistant aluminium end caps.

Shielding – UV-stabilized, high-impact extruded polycarbonate lens locked in place with aluminium casting end caps and tamper-resistant screws

Finish – Baked white enamel powder finish applied post production on all surfaces for smooth edges and safe handling

Electrical – High quality mid-power LED boards. L70 >72,000 hours reported / 129,200 calculated at maximum allowable output current. L85 >50,000 hours.

Mounting – Suspended or surface

- Listings** –
- cUL certified
 - IP65 rated

Warranty – 5-year limited warranty

LED PACKAGE	DELIVERED LUMENS	WATTAGE	EFFICACY (lm/W)
2F			
20	2,017	20	100
40	3,804	42	91
4F			
40	3,915	43	91
60	6,031	64	94
80	7,833	86	91
8F			
120	12,059	130	93
160	16,154	142	114

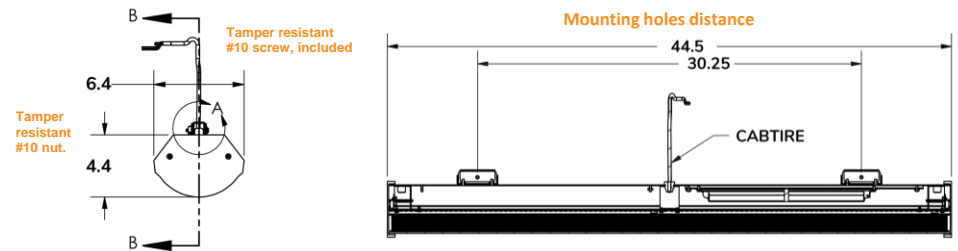
*Results based on 4000K, 80 CRI, white housing

MULTIPLIER TABLE	
COLOR TEMPERATURE	
CCT/CRI	CONVERSION FACTOR
3000K / 80 CRI	0.95
3500K / 80 CRI	0.97
4000K / 80 CRI	1
5000K / 80 CRI	1.03

FIXTURE DETAILS

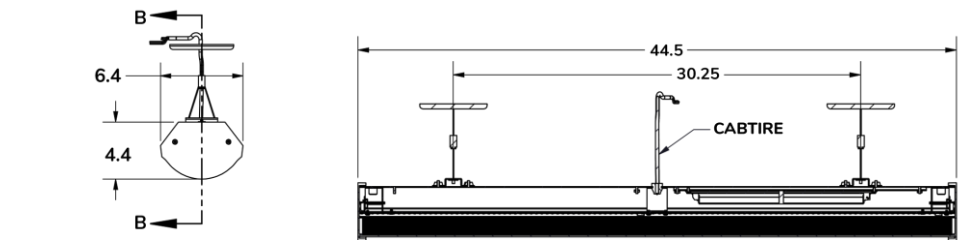
Surface mounting

Easy installation including #1/4-20 tamper resistant nut and #1/4 tamper resistant bolt. Refer to installation instructions for mounting hole distances.



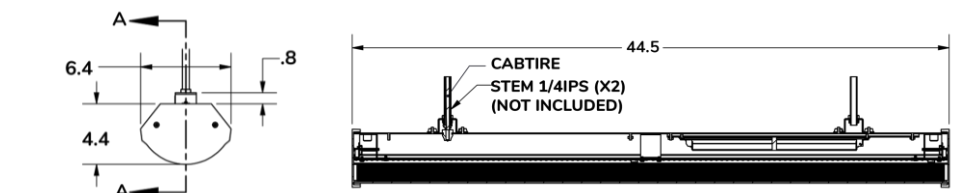
Pendant with Aircraft cables

Easy installation including set of canopies to mount on ceiling. Refer to installation instructions for mounting hole distances.



Pendant on Stem

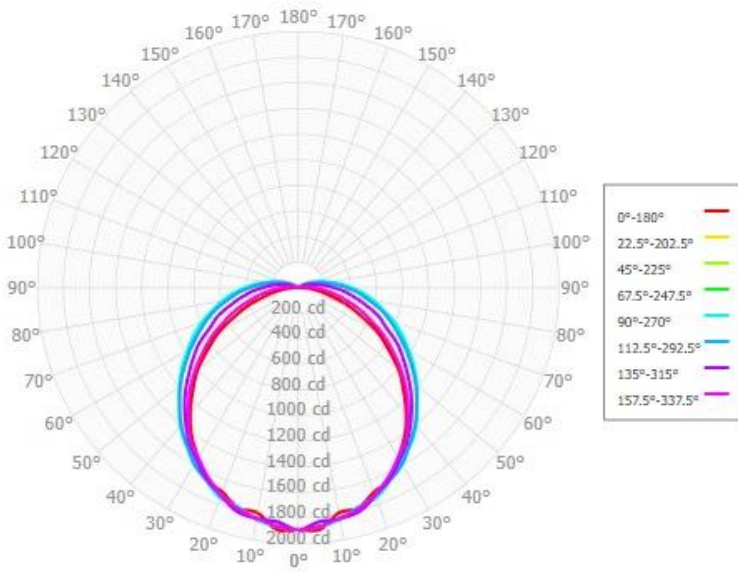
Easy installation including set of canopies with stems to mount on ceiling. Refer to installation instructions for mounting hole distances.



PHOTOMETRIC REPORT

PUCSW-4F-60-40-MV Total Luminaire Output: 6,154 lumens; 67 Watts

CANDELA POLAR PLOT



ZONAL LUMEN SUMMARY

Zone	Lumens	% Fixture
0° - 10°	186.94	3.04%
10° - 20°	502.30	8.16%
20° - 30°	757.60	12.31%
30° - 40°	911.35	14.81%
40° - 50°	945.29	15.36%
50° - 60°	874.58	14.21%
60° - 70°	727.86	11.83%
70° - 80°	542.89	8.82%
80° - 90°	356.65	5.80%
90° - 100°	200.24	3.25%
100° - 110°	98.40	1.60%
110° - 120°	38.84	0.63%
120° - 130°	9.37	0.15%
130° - 140°	0.77	0.01%
140° - 150°	0.21	0.00%
150° - 160°	0.12	0.00%
160° - 170°	0.08	0.00%
170° - 180°	0.02	0.00%
0° - 90°	5805.47	94.34%
90° - 180°	348.07	5.66%
0° - 180°	6153.54	100.00%

OUTPUT

Total Output Luminous flux	6153.54 lm
Efficiency	66.97 %
Efficacy	92.28 lm/W

SPACING CRITERION

Two luminaires, plane 0°	1.2
Two luminaires, plane 90°	1.24
Four luminaires	1.35

CANDELA DISTRIBUTION

	0.00°	22.50°	45.00°	67.50°	90.00°
0.00°	1891.82	1891.82	1891.82	1891.82	1891.82
5.00°	1896.67	1870.68	1837.89	1833.72	1874.41
10.00°	1787.31	1827.69	1831.98	1831.16	1840.18
15.00°	1778.73	1788.76	1810.00	1781.31	1773.51
20.00°	1699.69	1719.97	1728.65	1722.55	1748.60
25.00°	1653.59	1633.87	1652.26	1662.91	1662.36
30.00°	1532.47	1531.40	1554.97	1593.07	1565.88
35.00°	1422.17	1444.22	1459.50	1492.07	1498.52
40.00°	1288.39	1309.38	1344.85	1395.55	1405.28
45.00°	1143.03	1178.85	1228.35	1284.48	1289.68
50.00°	1009.80	1039.78	1104.75	1177.24	1188.10
55.00°	845.80	896.70	986.21	1061.04	1084.63
60.00°	705.83	763.27	878.05	950.23	978.06
65.00°	538.33	624.86	746.28	842.36	881.34
70.00°	403.97	503.23	656.95	747.93	782.93
75.00°	263.37	382.96	541.05	650.50	677.19
80.00°	171.04	282.07	440.62	546.27	586.12
85.00°	83.94	195.11	358.37	460.99	499.69
90.00°	22.40	124.82	270.57	370.18	406.68