

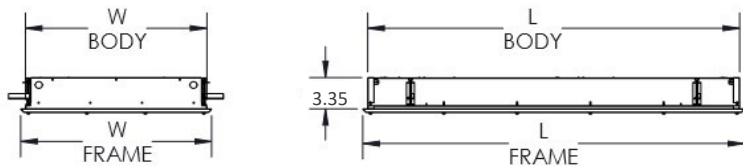
PROJECT:

NOTES:

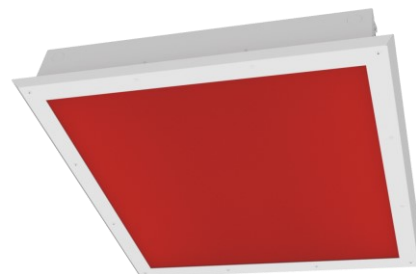
ORDERING INFORMATION:

**EXAMPLE** PRCL - 24 - F - 90R12 - 9 - 40 - H1 - MV - EM - D  
 SERIES NOM. LENGTH MOUNTING LUMENS CRI KELVINS LENS VOLTAGE OPTIONS DRIVER

SHOP DRAWINGS



PRCL	BODY		FRAME	
	W	L	W	L
2x4	22.83	46.75	24.00	48.00
2x2	22.83	22.75	24.00	24.00
1x4	10.83	46.75	12.00	48.00



ORDERING INFORMATION

**SERIES**  
PRCL

**NOMINAL LENGTH**  
 14 12"x 48"  
 22 24"x 24"  
 24 24"x 48"

**MOUNTING**  
 F Flange  
 T T-Bar

**LUMENS**

1x4	
50R11	5000 lm white, 1100 lm red
80R11	8000 lm white, 1100 lm red
2x2	
50R11	5000 lm white, 1100 lm red
80R11	8000 lm white, 1100 lm red
2x4	
90R12	9000 lm white, 1200 lm red
120R12	12000 lm white, 1200 lm red
170R12	17000 lm white, 1200 lm red

\*Other lumen packages available

**CRI**  
 BLANK 80 CRI  
 9 90 CRI

**KELVIN**  
 30 3000K  
 35 3500K  
 40 4000K  
 50 5000K  
 TW Tunable White

**LENS**  
 A1 Acrylic K12 - 0.125"  
 H1 White Opal Acrylic - 0.125"  
 G1 Polycarbonate K12 - 0.125"  
 L5 White frosted polycarbonate

**VOLTAGE**  
 MV 120-277V  
 347 347V

**OPTIONS**  
 ML Compliant with MIL-STD 461G  
 EM Emergency Power Pack  
 AM Antimicrobial Finish  
 AD White Aluminium Door  
 SD Stainless Steel 304 Door  
 SH Painted White Stainless Steel Housing  
 SDH Stainless Steel 304 Door and Painted White Stainless Steel Housing  
 RA Rear Access Door (not available in 12"x48")  
 NH Special Sealed Housing and wireway  
 OS Internal occupancy and daylight harvesting sensor

**DRIVER**  
 ND Non-dimming applications  
 D 0-10V dimming  
 D1 0-10V dimming to 1%  
 DA DALI driver

FEATURES

- > Recessed luminaire designed for contamination controlled environments such as pharmaceutical processing, chemical labs, medical applications, electronic assembly or semiconductor manufacturing
- > One-piece 18 gauge C.R.S. seamless external frame
- > Fully gasketed border between internal and external frames
- > Outer edge of frame is gasketed and fits snugly against the ceiling
- > Lens retaining internal frame attached to external frame with stainless steel gasketed screws
- > Minimum 80 CRI; color range 3000K - 5000K available
- > Tunable White option available
- > Multiple dimming protocols available
- > Variety of lenses available for optimized illumination
- > 2 circuits
- > IC Rated
- > IP66 for recessed applications\*
- > FED-STD-209E/Class 100 (ISO5-8) suitable
- > NSF Certified for Splash Zone Installations
- > Compliant with MIL-STD 461G (optional)

\* Faceplate is sealed with multiple gaskets and luminaire is IP66 certified as providing protection against dust and water entering the luminaire through the faceplate in a recessed application. Note that the housing (which is designed to be recessed into ceiling and is not visible once installed) does not provide ingress protection against dust and water entering the luminaire from the plenum.

APPLICATIONS

- > Medical applications
- > Electronic Assembly
- > Semiconductor Manufacturing
- > Pharmaceutical processing
- > Chemical labs
- > Food processing facilities

LED

FIXTURE PERFORMANCE DATA

SPECIFICATIONS

**Housing/Reflector** – Precision die-formed 20-gauge C.R.S housing with mitered and welded corners

**External Frame** – 18-gauge C.R.S. seamless external frame with welded corners secured to housing.

**Shielding** – Variety of lens options available.

**Finish** – Baked white enamel powder finish applied post production on all surfaces for smooth edges and safe handling.

**Electrical** – High quality mid-power LED boards. L70 >72,000 hours reported / 129,200 hours calculated at maximum allowable output current. L85 >50,000 hours.

**Mounting** – Recessed (plaster or T-Bar ceiling). We strongly recommend to add wire hangers on each earthquake clips/brackets (see fixture details)

Listings

- UL certified
- IP66 rated
- NSF certified for splash zone installations.

**Warranty** – 5-year limited warranty

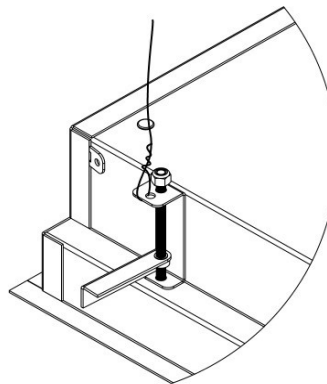
LED PACKAGE	DELIVERED LUMENS	WATTAGE	EFFICACY (lm/W)
12" x 48"			
40	4,102	39	105
60	6,232	66	94
24" x 24"			
40	4,046	39	107
80	7,970	80	99
24" x 48"			
40	4,098	36	114
100	9,893	93	106

\*Results based on 4000K, 80 CRI, White Opal Lens (H1)

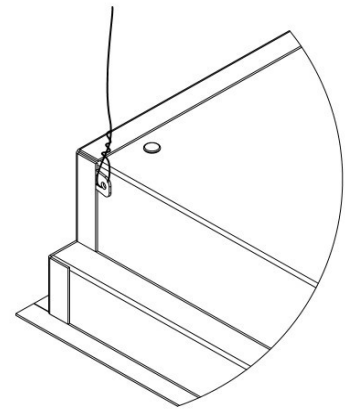
MULTIPLIER TABLE	
COLOR TEMPERATURE	
CCT/CRI	CONVERSION FACTOR
3000K / 80 CRI	0.95
3500K / 80 CRI	0.97
4000K / 80 CRI	1
5000K / 80 CRI	1.03

FIXTURE DETAILS

Hanging brackets to secure housing to structure (wires not supplied by PA-CO)



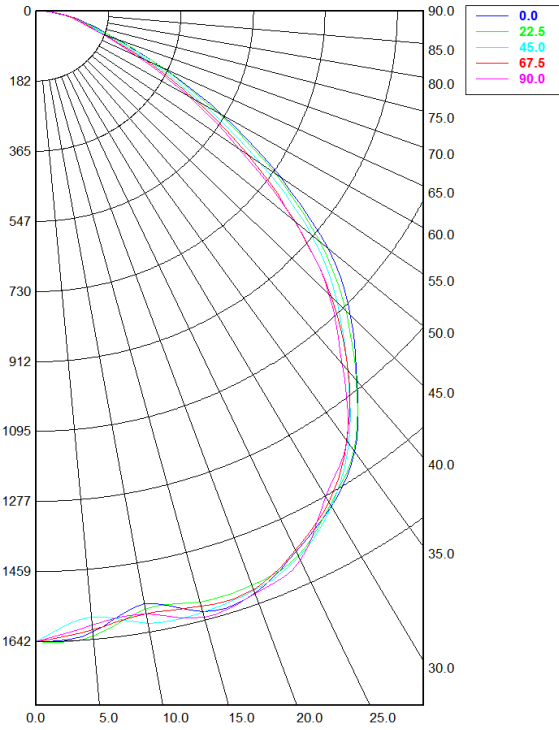
Plaster ceiling / Flange



T-Bar

**PHOTOMETRY**

PRCL-22-80-40-H1-MV Total Luminaire Output: 7,970 lumens; 80 Watts



**Candela Distribution**

	0.00°	22.50°	45.00°	67.50°	90.00°
0.00°	1,641.79	1,641.79	1,641.79	1,641.79	1,641.79
5.00°	1,623.79	1,634.06	1,584.11	1,616.62	1,604.97
10.00°	1,567.53	1,581.39	1,618.02	1,593.91	1,593.74
15.00°	1,618.39	1,592.68	1,620.34	1,604.29	1,634.32
20.00°	1,611.92	1,590.29	1,605.56	1,602.08	1,613.68
25.00°	1,553.64	1,565.62	1,569.21	1,549.23	1,578.79
30.00°	1,490.15	1,485.32	1,491.33	1,478.15	1,461.30
35.00°	1,402.28	1,398.79	1,375.84	1,367.72	1,368.58
40.00°	1,261.78	1,258.40	1,225.50	1,227.15	1,203.09
45.00°	1,124.03	1,107.43	1,076.49	1,057.29	1,048.88
50.00°	964.11	936.70	911.48	853.58	854.73
55.00°	748.33	733.62	690.01	648.02	625.22
60.00°	541.85	523.59	484.86	459.94	443.95
65.00°	352.56	350.53	321.50	299.00	282.72
70.00°	216.69	211.70	193.81	179.97	175.35
75.00°	139.41	132.71	125.60	122.51	114.16
80.00°	83.43	83.41	84.20	85.41	82.13
85.00°	34.22	36.95	39.94	37.86	36.18
90.00°	8.73	8.58	8.59	8.61	8.52

**Spacing Criterion:**

Two luminaires, plane 0°	1.32
Two luminaires, plane 90°	1.3
Four luminaires	1.37

**Zonal Lumen Summary**

Zone	Lumens	% Fixture
0.00° - 10.00°	162.68	3.93%
10.00° - 20.00°	454.61	10.97%
20.00° - 30.00°	715.38	17.27%
30.00° - 40.00°	855.37	20.65%
40.00° - 50.00°	826.60	19.95%
50.00° - 60.00°	615.56	14.86%
60.00° - 70.00°	326.74	7.89%
70.00° - 80.00°	140.17	3.38%
80.00° - 90.00°	45.49	1.10%
90.00° - 100.00°	2.36	0.06%
100.00° - 110.00°	0.00	0.00%
110.00° - 120.00°	0.00	0.00%
120.00° - 130.00°	0.00	0.00%
130.00° - 140.00°	0.00	0.00%
140.00° - 150.00°	0.00	0.00%
150.00° - 160.00°	0.00	0.00%
160.00° - 170.00°	0.00	0.00%
170.00° - 180.00°	0.00	0.00%
0.00° - 90.00°	4,142.59	100.00%
90.00° - 180.00°	2.36	0.06%
0.00° - 180.00°	4,142.59	100.00%