

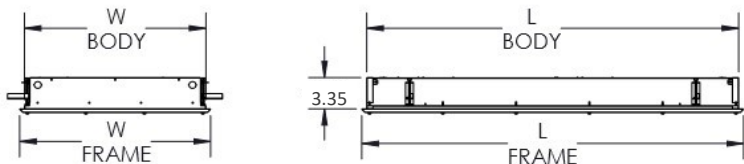
PROJECT:

NOTES:

ORDERING INFORMATION:

EXAMPLE PRCL - 24 - F - 100 - 9 - 40 - H1 - MV - 2C - EM - D
 SERIES NOM. LENGTH MOUNTING LUMENS CRI KELVINS LENS VOLTAGE CIRCUITS OPTIONS DRIVER

SHOP DRAWINGS



PRCL	BODY		FRAME	
	W	L	W	L
2x4	22.83	46.75	24.00	48.00
2x2	22.83	22.75	24.00	24.00
1x4	10.83	46.75	12.00	48.00



ORDERING INFORMATION

SERIES
PRCL

NOMINAL LENGTH
 14 12"x 48"
 22 24"x 24"
 24 24"x 48"

MOUNTING
 F Flange
 T T-Bar

LUMENS

Lumen Package*	Nominal Lumens
12"x 48"	
40	4,000
60	6,000
100	10,000
24"x 24"	
40	4,000
80	8,000
100	10,000
24"x 48"	
40	4,000
60	6,000
100	10,000
200	20,000

*Other lumen packages available

CRI
 BLANK 80 CRI
 9 90 CRI

KELVIN
 30 3000K
 35 3500K
 40 4000K
 50 5000K
 TW Tunable White

LENS
 A1 Acrylic K12 - 0.125"
 H1 White Opal Acrylic - 0.125"
 G1 Polycarbonate K12 - 0.125"
 L5 White frosted polycarbonate
 SA Symmetric/Asymmetric Acrylic
 AS Asymmetric Acrylic

VOLTAGE
 MV 120-277V
 347 347V

CIRCUITS
 BLANK 1 Circuit
 2C 2 Circuits

OPTIONS
 ML Compliant with MIL-STD 461G
 EM Emergency Power Pack
 AM Antimicrobial Finish
 AD White Aluminium Door
 SD Stainless Steel 304 Door
 SH Painted White Stainless Steel Housing
 SDH Stainless Steel 304 Door and Painted White Stainless Steel Housing
 RA Rear Access Door (not available in 12"x48")
 NH Special Sealed Housing and wireway
 CC COI Compliant
 BU Blue LED (second circuit)*
 OS Internal occupancy and daylight harvesting sensor

*Lumen package to be confirmed (need a second circuit)

DRIVER
 ND Non-dimming applications
 D 0-10V dimming
 D1 0-10V dimming to 1%
 DA DALI driver

FEATURES

- > Recessed luminaire designed for contamination controlled environments such as pharmaceutical processing, chemical labs, medical applications, electronic assembly or semiconductor manufacturing
- > One-piece 18 gauge C.R.S. seamless external frame
- > Fully gasketed border between internal and external frames
- > Outer edge of frame is gasketed and fits snugly against the ceiling
- > Lens retaining internal frame attached to external frame with stainless steel gasketed screws
- > Minimum 80 CRI; color range 3000K - 5000K available
- > Tunable White option available
- > Multiple dimming protocols available
- > Variety of lenses available for optimized illumination
- > IC Rated
- > IP66 for recessed applications*
- > FED-STD-209E/Class 100 (ISO5-9) suitable
- > NSF Certified for Splash Zone Installations
- > Compliant with MIL-STD 461G (optional)

* Faceplate is sealed with multiple gaskets and luminaire is IP66 certified as providing protection against dust and water entering the luminaire through the faceplate in a recessed application. Note that the housing (which is designed to be recessed into ceiling and is not visible once installed) does not provide ingress protection against dust and water entering the luminaire from the plenum.

APPLICATIONS

- > Medical applications
- > Electronic Assembly
- > Semiconductor Manufacturing
- > Pharmaceutical processing
- > Chemical labs
- > Food processing facilities

LED

FIXTURE PERFORMANCE DATA

SPECIFICATIONS

Housing/Reflector – Precision die-formed 20-gauge C.R.S housing with mitered and welded corners

External Frame – 18-gauge C.R.S. seamless external frame with welded corners secured to housing.

Shielding – Variety of lens options available.

Finish – Baked white enamel powder finish applied post production on all surfaces for smooth edges and safe handling.

Electrical – High quality mid-power LED boards. L70 >72,000 hours reported / 129,200 hours calculated at maximum allowable output current. L85 >50,000 hours.

Mounting – Recessed (plaster or T-Bar ceiling). We strongly recommend to add wire hangers on each earthquake clips/brackets (see fixture details)

Listings

- UL certified
- IP66 rated
- NSF certified for splash zone installations.

Warranty – 5-year limited warranty

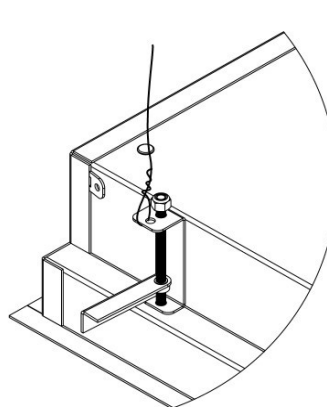
LED PACKAGE	DELIVERED LUMENS	WATTAGE	EFFICACY (lm/W)
12" x 48"			
40	4,102	39	105
60	6,232	66	94
24" x 24"			
40	4,046	39	107
80	7,970	80	99
24" x 48"			
40	4,098	36	114
100	9,893	93	106

*Results based on 4000K, 80 CRI, White Opal Lens (H1)

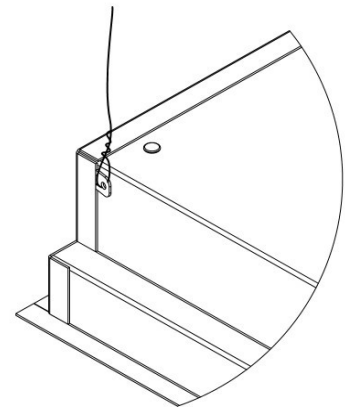
MULTIPLIER TABLE	
COLOR TEMPERATURE	
CCT/CRI	CONVERSION FACTOR
3000K / 80 CRI	0.95
3500K / 80 CRI	0.97
4000K / 80 CRI	1
5000K / 80 CRI	1.03

FIXTURE DETAILS

Hanging brackets to secure housing to structure (wires not supplied by PA-CO)



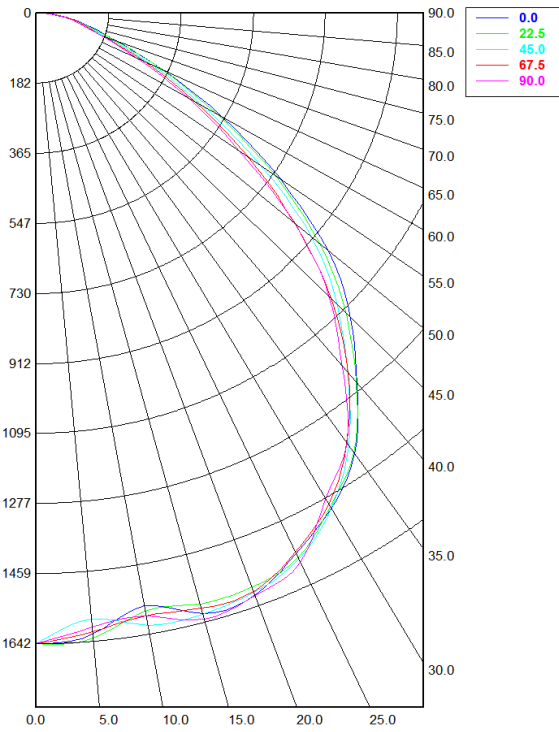
Plaster ceiling / Flange



T-Bar

PHOTOMETRY

PRCL-22-80-40-H1-MVOLT Total Luminaire Output: 7,970 lumens; 80 Watts



Candela Distribution

	0.00°	22.50°	45.00°	67.50°	90.00°
0.00°	1,641.79	1,641.79	1,641.79	1,641.79	1,641.79
5.00°	1,623.79	1,634.06	1,584.11	1,616.62	1,604.97
10.00°	1,567.53	1,581.39	1,618.02	1,593.91	1,593.74
15.00°	1,618.39	1,592.68	1,620.34	1,604.29	1,634.32
20.00°	1,611.92	1,590.29	1,605.56	1,602.08	1,613.68
25.00°	1,553.64	1,565.62	1,569.21	1,549.23	1,578.79
30.00°	1,490.15	1,485.32	1,491.33	1,478.15	1,461.30
35.00°	1,402.28	1,398.79	1,375.84	1,367.72	1,368.58
40.00°	1,261.78	1,258.40	1,225.50	1,227.15	1,203.09
45.00°	1,124.03	1,107.43	1,076.49	1,057.29	1,048.88
50.00°	964.11	936.70	911.48	853.58	854.73
55.00°	748.33	733.62	690.01	648.02	625.22
60.00°	541.85	523.59	484.86	459.94	443.95
65.00°	352.56	350.53	321.50	299.00	282.72
70.00°	216.69	211.70	193.81	179.97	175.35
75.00°	139.41	132.71	125.60	122.51	114.16
80.00°	83.43	83.41	84.20	85.41	82.13
85.00°	34.22	36.95	39.94	37.86	36.18
90.00°	8.73	8.58	8.59	8.61	8.52

Spacing Criterion:

Two luminaires, plane 0°	1.32
Two luminaires, plane 90°	1.3
Four luminaires	1.37

Zonal Lumen Summary

Zone	Lumens	% Fixture
0.00° - 10.00°	162.68	3.93%
10.00° - 20.00°	454.61	10.97%
20.00° - 30.00°	715.38	17.27%
30.00° - 40.00°	855.37	20.65%
40.00° - 50.00°	826.60	19.95%
50.00° - 60.00°	615.56	14.86%
60.00° - 70.00°	326.74	7.89%
70.00° - 80.00°	140.17	3.38%
80.00° - 90.00°	45.49	1.10%
90.00° - 100.00°	2.36	0.06%
100.00° - 110.00°	0.00	0.00%
110.00° - 120.00°	0.00	0.00%
120.00° - 130.00°	0.00	0.00%
130.00° - 140.00°	0.00	0.00%
140.00° - 150.00°	0.00	0.00%
150.00° - 160.00°	0.00	0.00%
160.00° - 170.00°	0.00	0.00%
170.00° - 180.00°	0.00	0.00%
0.00° - 90.00°	4,142.59	100.00%
90.00° - 180.00°	2.36	0.06%
0.00° - 180.00°	4,142.59	100.00%