

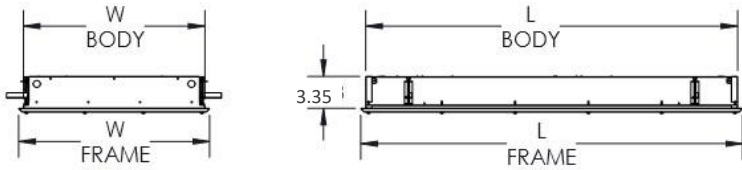
PROJECT:

NOTES:

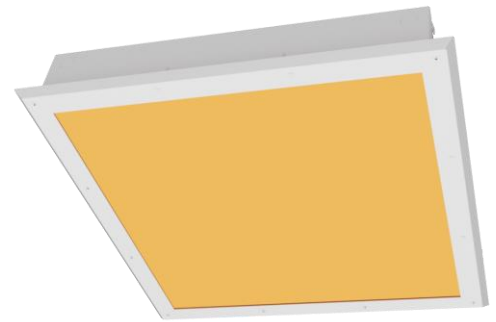
ORDERING INFORMATION:

EXAMPLE PRCL - SD - 24 - F - 70A70 - 9 - 40 - H1 - MV - EM - D
 SERIES HOUSING NOM. LENGTH MOUNTING LUMENS CRI KELVINS LENS VOLTAGE OPTIONS DRIVER

SHOP DRAWINGS



PRCL	BODY		FRAME	
	W	L	W	L
2x4	22.83	46.75	24.00	48.00
2x2	22.83	22.75	24.00	24.00
1x4	10.83	46.75	12.00	48.00



ORDERING INFORMATION

SERIES

PRCL

HOUSING AND DOOR FRAME

BLANK	20-Ga CRS Housing / 18-Ga CRS Door
AD	20-Ga CRS Housing / 18-Ga Alum. Door
ADH	20-Ga Alum. Housing / 18-Ga Alum. Door
SD	20-Ga CRS Housing / Brushed SS Door
SDH	Painted White SS Housing / Brushed SS Door

NOMINAL LENGTH

14	12"x 48"
22	24"x 24"
24	24"x 48"

MOUNTING

F	Flange
T	T-Bar

LUMENS

Lumen Package*	Nominal Lumens
12"x 48"	
40A40	4000 lm white / 4000 lm amber
50A50	5000 lm white / 5000 lm amber
A40	4000 lm amber
A50	5000 lm amber
24"x 24"	
40A40	4000 lm white / 4000 lm amber
50A50	5000 lm white / 5000 lm amber
60A60	6000 lm white / 6000 lm amber
A40	4000 lm amber
A60	6000 lm amber
24"x 48"	
50A50	5000 lm white / 5000 lm amber
70A70	7000 lm white / 7000 lm amber
120A120	12,000 lm white / 12,000 lm amber
A70	7000 lm amber
A120	12,000 lm amber

*Other lumen packages available
 **Dual colors equal 2 different circuits

CRI

BLANK	80 CRI
9	90 CRI

KELVINS

30	3000K
35	3500K
40	4000K
50	5000K
TW	Tunable White

LENS

FA1	Prismatic Acrylic (1/8")
H1	White Opal Acrylic (1/8")
G1	Prismatic Polycarbonate (1/8")
L5	White Frosted Polycarbonate
L1	Slightly Frosted High Efficient Acrylic

VOLTAGE

MV	120-277V
347	347V

OPTIONS

ML	Compliant with MIL-STD 461G
EM	Emergency Power Pack
AM	Antimicrobial Finish
RA	Rear Access Door (not available in 12"x48")
NH	Special Sealed Housing and wireway
CC	COI Compliant
OS	Internal occupancy and daylight harvesting sensor

*Lumen package to be confirmed (need a second circuit)

DRIVER

ND	Non-dimming applications
D	0-10V dimming
D1	0-10V dimming to 1%
DA	DALI driver

FEATURES

- > Recessed luminaire designed for contamination controlled environments such as pharmaceutical processing, chemical labs, medical applications, electronic assembly or semiconductor manufacturing
- > One-piece 18 gauge C.R.S. seamless external frame
- > Fully gasketed border between internal and external frames
- > Outer edge of frame is gasketed and fits snugly against the ceiling
- > Lens retaining internal frame attached to external frame with stainless steel gasketed screws
- > Minimum 80 CRI; color range 3000K - 5000K available
- > Tunable White option available
- > Multiple dimming protocols available
- > Variety of lenses available for optimized illumination
- > IC Rated
- > IP66 for recessed applications*
- > FED-STD-209E/Class 100 (ISO5-9) suitable
- > NSF Certified for Splash Zone Installations
- > Compliant with MIL-STD 461G (optional)
- > Operating temperature (-30 to 45 Celsius / -22 to 113 Fahrenheit)

* Faceplate is sealed with multiple gaskets and luminaire is IP66 certified as providing protection against dust and water entering the luminaire through the faceplate in a recessed application.
 Note that the housing (which is designed to be recessed into ceiling and is not visible once installed) does not provide ingress protection against dust and water entering the luminaire from the plenum.

APPLICATIONS

- > Medical applications
- > Electronic Assembly
- > Semiconductor Manufacturing
- > Pharmaceutical processing
- > Chemical labs
- > Food processing facilities

LED

FIXTURE PERFORMANCE DATA

SPECIFICATIONS

Housing/Reflector – Precision die-formed 20-gauge C.R.S housing with mitered and welded corners (optional aluminum and stainless steel)

External Frame – 18-gauge C.R.S. seamless external overlapping frame with welded corners secured to housing (optional aluminum and stainless steel)

Shielding – Variety of lens options available.

Finish – Baked white enamel powder finish applied post production on all surfaces for smooth edges and safe handling

Electrical – High quality mid-power LED boards. L70 >72,000 hours reported / 129,200 hours calculated at maximum allowable output current. L85 >50,000 hours

Mounting – Recessed (plaster or T-Bar ceiling). We strongly recommend to add wire hangers on each earthquake clips/brackets (see fixture details)

Listings

- UL certified
- IP66 rated
- NSF certified for splash zone installations.

Warranty – 5-year limited warranty

LED PACKAGE	DELIVERED LUMENS	WATTAGE	EFFICACY (lm/W)
12" x 48"			
40 (H1 lens)	4,102	39	105
60 (H1 lens)	6,232	66	94
24" x 24"			
40 (H1 lens)	4,046	39	107
80 (H1 lens)	7,970	80	99
24" x 48"			
40 (H1 lens)	4,098	36	114
100 (H1 lens)	9,893	93	106

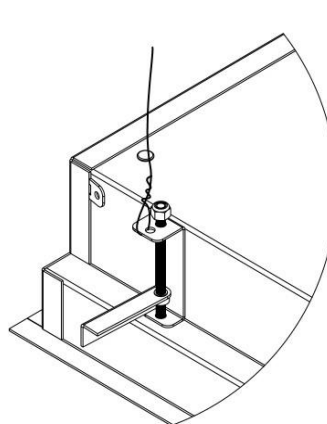
*Results based on 4000K, 80 CRI

**Luminaire is available in all wattages ranging from 10 watts to 95 watts for 1x4/2x2 and 10 watts to 190 watts for 2x4

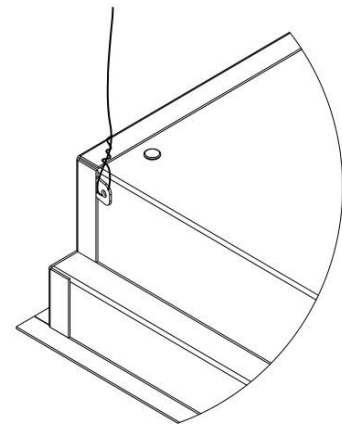
MULTIPLIER TABLE	
COLOR TEMPERATURE	
CCT/CRI	CONVERSION FACTOR
3000K / 80 CRI	0.95
3500K / 80 CRI	0.97
4000K / 80 CRI	1
5000K / 80 CRI	1.03

FIXTURE DETAILS

Hanging brackets to secure housing to structure (wires not supplied by PA-CO)



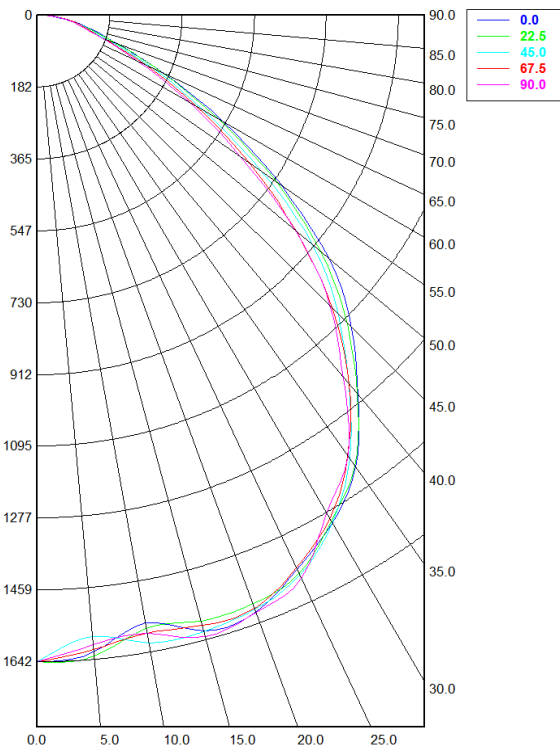
Plaster ceiling / Flange



T-Bar

PHOTOMETRY

PRCL-22-80-40-H1 Total Luminaire Output: 7,970 lumens; 80 Watts



Candela Distribution

	0.00°	22.50°	45.00°	67.50°	90.00°
0.00°	1,641.79	1,641.79	1,641.79	1,641.79	1,641.79
5.00°	1,623.79	1,634.06	1,584.11	1,616.62	1,604.97
10.00°	1,567.53	1,581.39	1,618.02	1,593.91	1,593.74
15.00°	1,618.39	1,592.68	1,620.34	1,604.29	1,634.32
20.00°	1,611.92	1,590.29	1,605.56	1,602.08	1,613.68
25.00°	1,553.64	1,565.62	1,569.21	1,549.23	1,578.79
30.00°	1,490.15	1,485.32	1,491.33	1,478.15	1,461.30
35.00°	1,402.28	1,398.79	1,375.84	1,367.72	1,368.58
40.00°	1,261.78	1,258.40	1,225.50	1,227.15	1,203.09
45.00°	1,124.03	1,107.43	1,076.49	1,057.29	1,048.88
50.00°	964.11	936.70	911.48	853.58	854.73
55.00°	748.33	733.62	690.01	648.02	625.22
60.00°	541.85	523.59	484.86	459.94	443.95
65.00°	352.56	350.53	321.50	299.00	282.72
70.00°	216.69	211.70	193.81	179.97	175.35
75.00°	139.41	132.71	125.60	122.51	114.16
80.00°	83.43	83.41	84.20	85.41	82.13
85.00°	34.22	36.95	39.94	37.86	36.18
90.00°	8.73	8.58	8.59	8.61	8.52

Spacing Criterion:

Two luminaires, plane 0°	1.32
Two luminaires, plane 90°	1.3
Four luminaires	1.37

Zonal Lumen Summary

Zone	Lumens	% Fixture
0.00° - 10.00°	162.68	3.93%
10.00° - 20.00°	454.61	10.97%
20.00° - 30.00°	715.38	17.27%
30.00° - 40.00°	855.37	20.65%
40.00° - 50.00°	826.60	19.95%
50.00° - 60.00°	615.56	14.86%
60.00° - 70.00°	326.74	7.89%
70.00° - 80.00°	140.17	3.38%
80.00° - 90.00°	45.49	1.10%
90.00° - 100.00°	2.36	0.06%
100.00° - 110.00°	0.00	0.00%
110.00° - 120.00°	0.00	0.00%
120.00° - 130.00°	0.00	0.00%
130.00° - 140.00°	0.00	0.00%
140.00° - 150.00°	0.00	0.00%
150.00° - 160.00°	0.00	0.00%
160.00° - 170.00°	0.00	0.00%
170.00° - 180.00°	0.00	0.00%
0.00° - 90.00°	4,142.59	100.00%
90.00° - 180.00°	2.36	0.06%
0.00° - 180.00°	4,142.59	100.00%