

PROJECT:

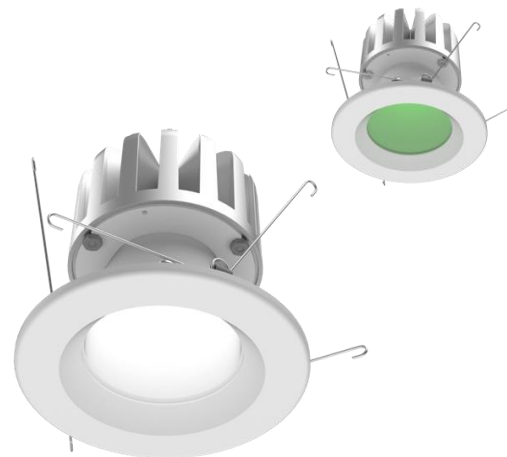
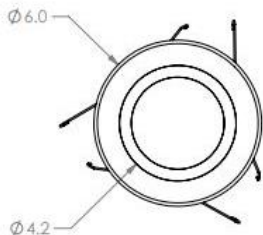
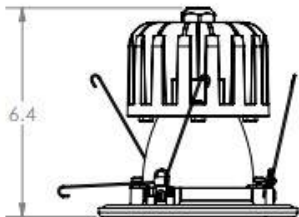
NOTES:

ORDERING INFORMATION:

EXAMPLE MDS4 - W30 - 9 - 35 - SS - MW - 347 - FU - D1

SERIES LUMENS CRI KELVIN REFLECT. TRIM VOLTAGE OPTIONS DRIVER

SHOP DRAWINGS



ORDERING INFORMATION

SERIES
MDS4

LUMENS*

W5	500 lm (White)
W10	1000 lm (White)
W20	2000 lm (White)
W30	3000 lm (White)
W20R2	2000 lm (White), 200 lm (Red)**
R2	200 lm (Red)
W20G5	2000 lm (White), 500 lm (Green)**
G7	700 lm (Green)

*Other lumen packages available.

**2 circuits

CRI

BLANK	80 CRI
9	90 CRI

KELVIN

27	2700K
30	3000K
35	3500K
40	4000K
50	5000K
TW	Tunable White

REFLECTOR

MW Matte White
SS Semi Specular
CS Clear Specular

TRIM FINISH

WH Matte White
BR Brushed
AM Antimicrobial Matte White

VOLTAGE

120 120V
277 277V
347 347V

OPTIONS

EM Emergency Power Pack
FU Fuse and Holder

DRIVER

ND Non-dimming applications
D 0-10V Dimming
D1 0-10V Dimming to 1%
DA DALI Driver

FEATURES

- > 4" inch diameter specification grade LED downlight for medical applications
- > Minimum 80 CRI; color range 2700K - 5000K available
- > Multiple dimming protocols available
- > Tunable White option available
- > Colored LED boards optional (green, red, white)
- > FED-STD-209E/Class 100 (ISO5-9) suitable
- > IP65 for recessed applications
- > Conducted emissions controlled as per MIL-STD-461G
- > NSF Certified for Splash Zone Installations
- > Operating temperature (-30 to 45 Celsius / -22 to 113 Fahrenheit)



APPLICATIONS

- > Hospitals
- > Surgical Suites
- > Medical Clinics
- > Laboratories

FIXTURE PERFORMANCE DATA

SPECIFICATIONS

Reflector – Clear-specular, semi-specular or white spun Aluminium reflector. Other finishes available on request.

Lens – Flush lens

Finish – Baked white matte powder finish or brushed finish on trim. Antimicrobial matte white paint available.

Electrical – High quality mid-power LED boards. L80 >50,000 hours.

Mounting – Can be mounted on plaster frame using strong clips system to secure it.

Listings –

- cUL certified for non-IC installations
- IP65 certified
- NSF certified for splash zone installations.

Warranty – 5-year limited warranty

LED PACKAGE	DELIVERED LUMENS	WATTAGE	EFFICACY (lm/W)
5 (semi-specular)	541	7	77
10 (semi-specular)	1,083	15	72
20 (semi-specular)	1,997	28	71
30 (semi-specular)	3,224	46	70
5 (matte white)	506	7	72
10 (matte white)	1,011	15	67
20 (matte white)	1,943	29	67
30 (matte white)	2,996	46	65

*Results based on 4000K, 80 CRI

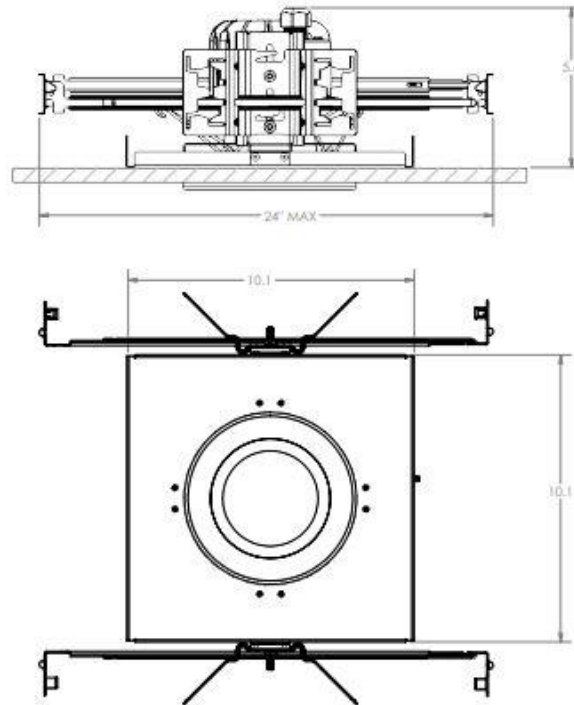
**Luminaire is available in all wattages ranging from 3 watts to 53 watts.

MULTIPLIER TABLE	
COLOR TEMPERATURE	
CCT/CRI	CONVERSION FACTOR
3000K / 80 CRI	0.95
3500K / 80 CRI	0.97
4000K / 80 CRI	1
5000K / 80 CRI	1.03

INSTALLATION OPTIONS

NEW CONSTRUCTION PLASTER FRAME KIT FOR NON-IC

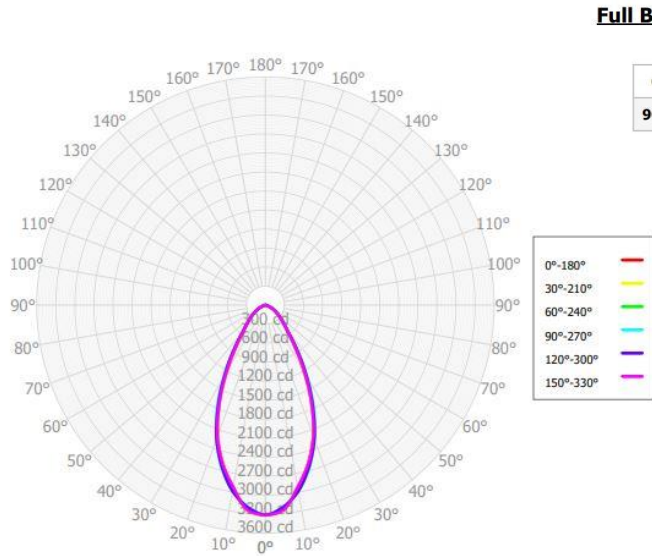
Plaster frame with hanger bars system for new construction installations.
 Suitable for non-IC applications.
 Plaster frame can be shipped separately.
 Ceiling thickness: 1/8" - 1 1/4" (3 - 35mm)
 Weight: 10.73 lbs



PHOTOMETRY

MDS4-W30-940-MW Total Luminaire Output: 2,996 lumens; 53 Watts

Candela Polar Plot

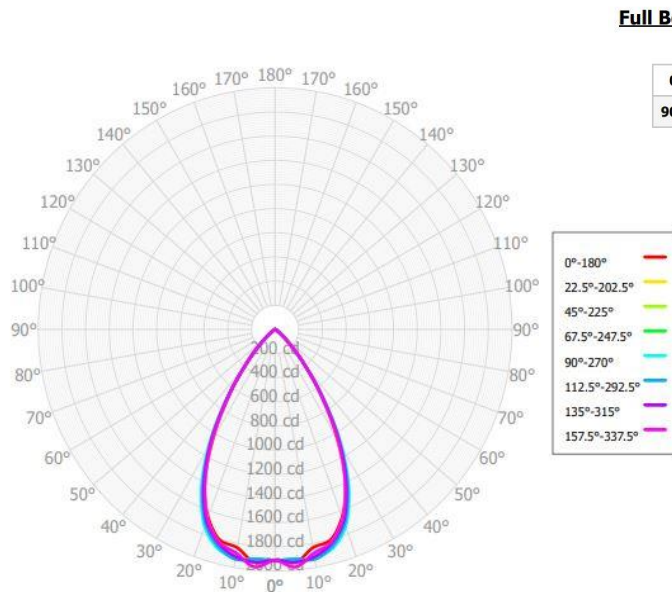


Candela Distribution

	0.00°	30.00°	60.00°	90.00°
0.00°	3313.44	3313.44	3313.44	3313.44
5.00°	3248.79	3247.89	3206.34	3196.91
10.00°	2931.81	2916.66	2983.24	2977.12
15.00°	2592.28	2599.70	2645.26	2664.26
20.00°	2201.41	2211.92	2250.54	2245.63
25.00°	1717.69	1722.75	1762.44	1802.57
30.00°	1215.93	1245.76	1285.09	1311.70
35.00°	805.77	823.57	866.80	881.42
40.00°	533.60	543.41	556.51	556.65
45.00°	404.49	402.81	401.11	399.42
50.00°	304.75	301.57	299.72	297.32
55.00°	220.58	218.95	217.51	216.04
60.00°	154.62	152.20	152.42	152.67
65.00°	95.33	96.92	95.09	95.46
70.00°	50.46	50.14	50.38	51.30
75.00°	19.32	20.08	19.11	19.16
80.00°	6.34	6.27	6.43	6.28
85.00°	2.45	2.18	2.39	2.07
90.00°	0.58	0.73	0.81	0.82

MDS4-W20-940-SS Total Luminaire Output: 1,997 lumens; 33 Watts

Candela Polar Plot



Candela Distribution

	0.00°	22.50°	45.00°	67.50°	90.00°
0.00°	1913.84	1913.84	1913.84	1913.84	1913.84
5.00°	1938.55	1974.93	1935.65	1910.08	1929.09
10.00°	1836.16	1882.44	1912.15	1931.47	1924.42
15.00°	1805.85	1827.95	1836.87	1859.59	1877.62
20.00°	1655.87	1673.60	1692.96	1715.73	1740.24
25.00°	1407.60	1400.52	1424.46	1451.44	1477.40
30.00°	1052.72	1072.32	1091.10	1104.11	1128.82
35.00°	692.53	709.10	713.45	723.39	740.09
40.00°	397.25	401.34	399.21	397.54	391.47
45.00°	194.42	195.04	193.11	193.64	188.00
50.00°	78.58	80.10	77.57	79.55	80.61
55.00°	33.55	32.91	31.77	33.25	33.67
60.00°	14.90	15.43	16.29	14.71	14.77
65.00°	8.75	7.80	7.57	8.16	8.32
70.00°	4.29	4.40	4.86	4.73	5.50
75.00°	2.65	2.66	2.67	2.62	2.75
80.00°	1.06	0.80	0.77	0.83	0.50
85.00°	0.16	0.11	0.07	0.11	0.09
90.00°	0.14	0.12	0.07	0.13	0.03