

PROJECT:

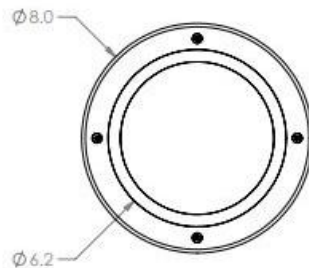
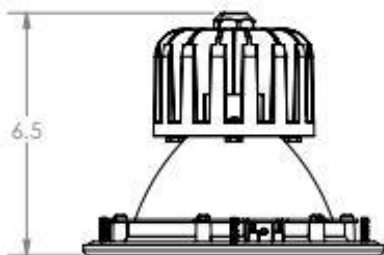
NOTES:

ORDERING INFORMATION:

EXAMPLE MD6A - W30 - 9 - 35 - SS - MW - M4 - 347 - EM - D

SERIES LUMENS CRI KELVIN REFLECTOR TRIM LENS VOLTAGE OPTIONS DRIVER

SHOP DRAWINGS



ORDERING INFORMATION

SERIES

MDA6

LUMENS*

W5	500 lm (White)
W10	1000 lm (White)
W20	2000 lm (White)
W30	3000 lm (White)
W40	4000 lm (White)
W20A3	2000 lm (White), 300 lm (Amber)**
A3	300 lm (Amber)

*Other lumen packages available.

**2 circuits

CRI

BLANK	80 CRI
9	90 CRI

KELVIN

27	2700K
30	3000K
35	3500K
40	4000K
50	5000K
TW	Tunable White

REFLECTOR

MW	Matte White
SS	Semi Specular
CS	Clear Specular

TRIM FINISH

WH	Matte White
BR	Brushed
AM	Antimicrobial White
BK	Textured Black

SECURITY LENS (NOMINAL THICKNESS)

M1	Clear Polycarbonate (1/8")
M4	Clear Polycarbonate (1/4")

VOLTAGE

120	120V
277	277V
347	347V

OPTIONS

EM	Emergency Power Pack
FU	Fuse and Holder

DRIVER

ND	Non-dimming applications
D	0-10V Dimming
D1	0-10V Dimming to 1%
DA	DALI Driver



FEATURES

- > 6" inch diameter LED downlight for anti-vandal and anti-ligature behavioral healthcare applications.
- > Minimum 80 CRI; color range 2700K - 5000K available
- > Multiple dimming protocols available
- > Tunable White option available
- > Colored LED boards optional (white, red, amber)
- > IP65 for recessed applications
- > Security lens tightly secured fastened internally with multiple screws
- > IK10 rated
- > Anti-ligature
- > Operating temperature (-30 to 45 Celsius / -22 to 113 Fahrenheit)

APPLICATIONS

- > Hospitals
- > Rehabilitation Centers
- > Behavioral Healthcare Facilities
- > Canopies
- > Correctional Facilities

ÉCLAIRAGES

PACO
LIGHTING

FIXTURE PERFORMANCE DATA

SPECIFICATIONS

Reflector– Clear-specular, semi-specular or white spun aluminum reflector. Other finishes available on request.

Lens – Flush 1/8" or 1/4" high impact Polycarbonate lens for high abuse retained by screws on trim. Other lens thicknesses available on request.

Finish – Baked white matte powder finish or brushed finish on trim. Antimicrobial matte white paint available.

Electrical – High quality high-power LED board. L80 >50,000 hours..

Mounting – Recessed

Listings –

- cUL certified for non-IC installations
- IP65 certified

Warranty – 5-year limited warranty

LED PACKAGE	DELIVERED LUMENS	WATTAGE	EFFICACY (lm/W)
W5 (semi-specular)	495	7	71
W10 (semi-specular)	989	13	76
W20 (semi-specular)	1,978	26	76
W30 (semi-specular)	2,963	39	76
W40 (semi-specular)	3,935	53	74
W5 (matte white)	496	7	71
W10 (matte white)	990	13	76
W20 (matte white)	1,981	26	76
W30 (matte white)	2,977	39	76
W40 (matte white)	3,947	53	75

*Results based on 4000K, 80 CRI, M1 lens (1/8")

**Luminaire is available in all wattages ranging from 3 watts to 53 watts.

MULTIPLIER TABLE	
COLOR TEMPERATURE	
CCT/CRI	CONVERSION FACTOR
3000K / 80 CRI	0.95
3500K / 80 CRI	0.97
4000K / 80 CRI	1
5000K / 80 CRI	1.03

PLASTER FRAME DIMENSIONS

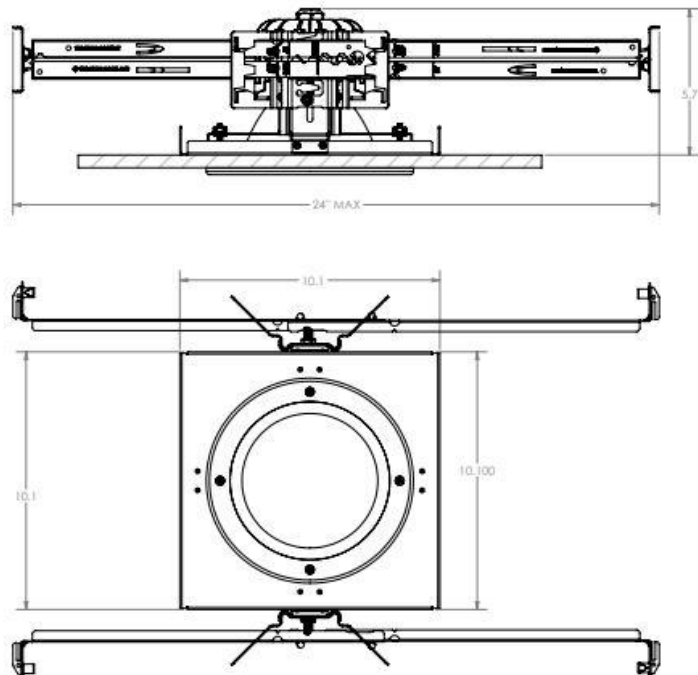
NEW CONSTRUCTION PLASTER FRAME KIT FOR NON-IC

Plaster frame with hanger bars system for new construction installations.

Suitable for non-IC applications.

Plaster frame can be shipped separately.

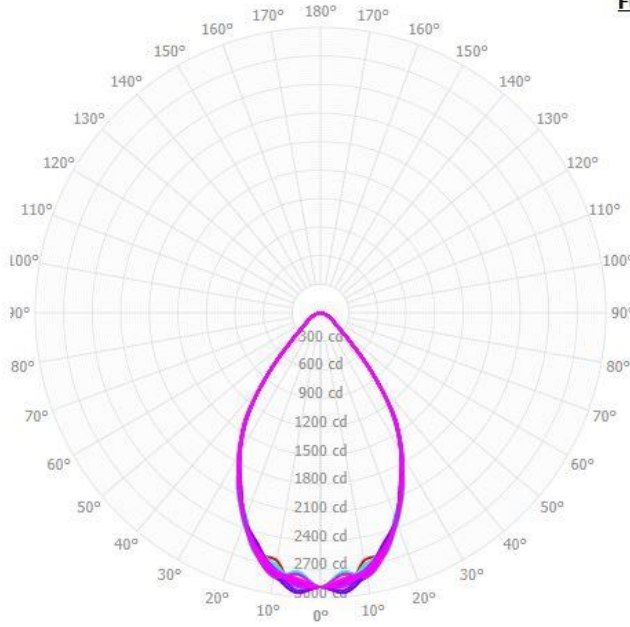
Ceiling thickness: 3/8" - 1 1/4" (3 - 35mm) Weight: 11.43 lbs



PHOTOMETRY

MDA6-W40-940-MW-M1 Total Luminaire Output: 3,433 lumens; 53 Watts

Candela Polar Plot



Full Beam Angle

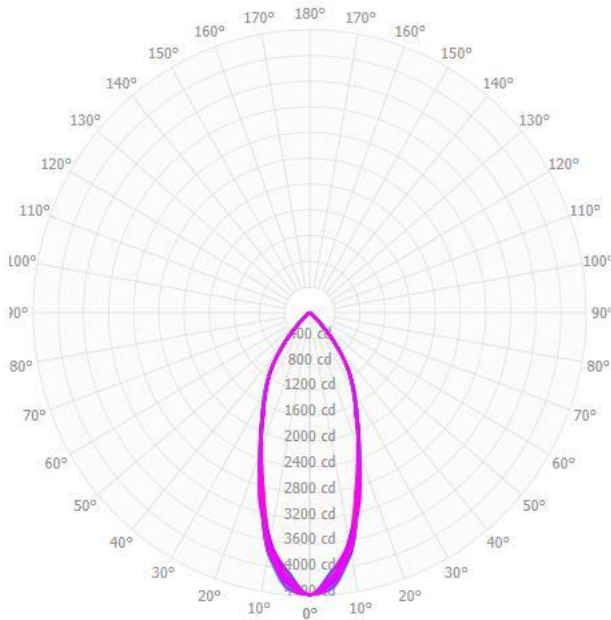
0° - 180°	66.68°
90° - 270°	66.45°

Zonal Lumen Summary

Zone	Lumens	% Fixture
0° - 10°	285.24	8.31%
10° - 20°	716.95	20.88%
20° - 30°	918.61	26.76%
30° - 40°	818.74	23.85%
40° - 50°	394.53	11.49%
50° - 60°	164.44	4.79%
60° - 70°	95.18	2.77%
70° - 80°	35.51	1.03%
80° - 90°	3.89	0.11%
90° - 100°	0.00	0.00%
100° - 110°	0.00	0.00%
110° - 120°	0.00	0.00%
120° - 130°	0.00	0.00%
130° - 140°	0.00	0.00%
140° - 150°	0.00	0.00%
150° - 160°	0.00	0.00%
160° - 170°	0.00	0.00%
170° - 180°	0.00	0.00%
0° - 90°	3433.09	100.00%
90° - 180°	0.00	0.00%
0° - 180°	3433.09	100.00%

MDA6-W30-940-SS-M1 Total Luminaire Output: 2,963 lumens; 46 Watts

Candela Polar Plot



Full Beam Angle

0° - 180°	40.69°
90° - 270°	42.61°

Zonal Lumen Summary

Zone	Lumens	% Fixture
0° - 10°	401.92	13.56%
10° - 20°	807.25	27.24%
20° - 30°	814.80	27.49%
30° - 40°	638.93	21.56%
40° - 50°	240.42	8.11%
50° - 60°	37.37	1.26%
60° - 70°	13.19	0.44%
70° - 80°	8.23	0.28%
80° - 90°	1.73	0.06%
90° - 100°	0.00	0.00%
100° - 110°	0.00	0.00%
110° - 120°	0.00	0.00%
120° - 130°	0.00	0.00%
130° - 140°	0.00	0.00%
140° - 150°	0.00	0.00%
150° - 160°	0.00	0.00%
160° - 170°	0.00	0.00%
170° - 180°	0.00	0.00%
0° - 90°	2963.84	100.00%
90° - 180°	0.00	0.00%
0° - 180°	2963.84	100.00%

