

PROJECT:

NOTES:

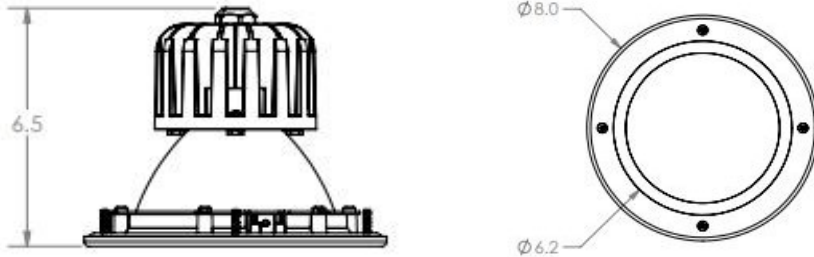
ORDERING INFORMATION:

EXAMPLE

MD6A - W30 - 9 - 35 - SS - MW - M4 - 347 - EM - D

SERIES LUMENS CRI KELVIN REFLECTOR TRIM LENS VOLTAGE OPTIONS DRIVER

## SHOP DRAWINGS



## ORDERING INFORMATION

## SERIES

MDA6

## REFLECTOR

MW Matte White  
SS Semi Specular

## LUMENS\*

W5 500 lm (White)  
W10 1000 lm (White)  
W20 2000 lm (White)  
W30 3000 lm (White)  
W40 4000 lm (White)  
W20A3 2000 lm (White), 300 lm (Amber)\*\*  
A3 300 lm (Amber)

\*Other lumen packages available.

\*\*2 circuits

## TRIM FINISH

WH Matte White  
BR Brushed  
AM Antimicrobial Matte White  
BK Textured Black

## SECURITY LENS (NOMINAL THICKNESS)

M1 Clear Polycarbonate (1/8")  
M4 Clear Polycarbonate (1/4")

## VOLTAGE

120 120V  
277 277V  
347 347V

## OPTIONS

EM Emergency Power Pack  
FU Fuse and Holder

## DRIVER

ND Non-dimming applications  
D 0-10V Dimming  
D1 0-10V Dimming to 1%  
DA DALI Driver



## FEATURES

- > 6" inch diameter LED downlight for anti-vandal and anti-ligature behavioral healthcare applications.
- > Minimum 80 CRI; color range 2700K - 5000K available
- > Multiple dimming protocols available
- > Tunable White option available
- > Colored LED boards optional (white, red, amber)
- > IP65 for recessed applications
- > Security lens tightly secured fastened internally with with multiple screws
- > IK10 rated
- > Anti-ligature

## APPLICATIONS

- > Hospitals
- > Rehabilitation Centers
- > Behavioral Healthcare Facilities
- > Canopies
- > Correctional Facilities

ÉCLAIRAGES

PACO

LIGHTING

## FIXTURE PERFORMANCE DATA

## SPECIFICATIONS

**Reflector**– Semi-specular or white spun aluminum reflector. Other finishes available on request.

**Lens** – Flush 1/8" or 1/4" high impact Polycarbonate lens for high abuse retained by screws on trim. Other lens thicknesses available on request.

**Finish** – Baked white matte powder finish or brushed finish on trim. Antimicrobial matte white paint available.

**Electrical** – High quality high-power LED board. L80 >50,000 hours..

**Mounting** – Recessed

**Listings** –

- cUL certified for non-IC installations
- IP65 certified

**Warranty** – 5-year limited warranty

LED PACKAGE	DELIVERED LUMENS	WATTAGE	EFFICACY (lm/W)
W5 (semi-specular)	495	7	71
W10 (semi-specular)	989	13	76
W20 (semi-specular)	1,978	26	76
W30 (semi-specular)	2,963	39	76
W40 (semi-specular)	3,935	53	74
W5 (matte white)	496	7	71
W10 (matte white)	990	13	76
W20 (matte white)	1,981	26	76
W30 (matte white)	2,977	39	76
W40 (matte white)	3,947	53	75

\*Results based on 4000K, 80 CRI, M1 lens (1/8")

MULTIPLIER TABLE	
COLOR TEMPERATURE	
CCT/CRI	CONVERSION FACTOR
3000K / 80 CRI	0.95
3500K / 80 CRI	0.97
4000K / 80 CRI	1
5000K / 80 CRI	1.03

## PLASTER FRAME DIMENSIONS

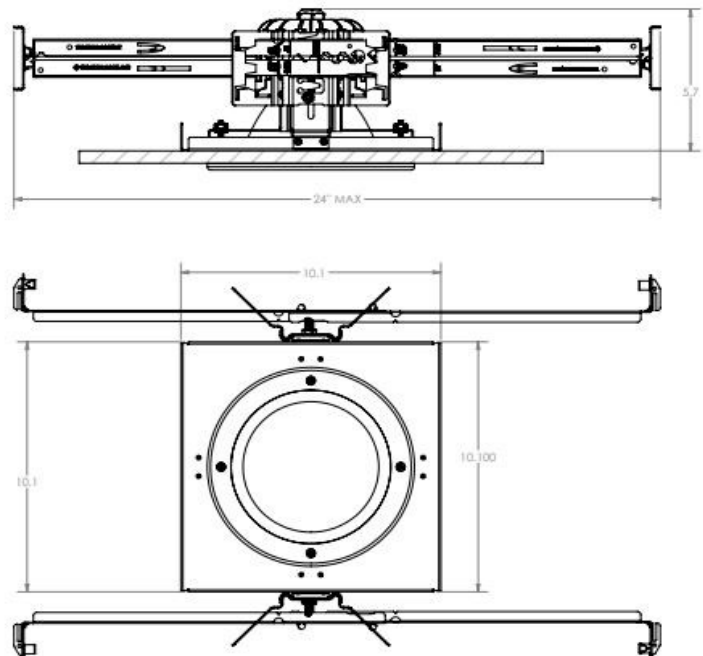
## NEW CONSTRUCTION PLASTER FRAME KIT FOR NON-IC

Plaster frame with hanger bars system for new construction installations.

Suitable for non-IC applications.

Plaster frame can be shipped separately.

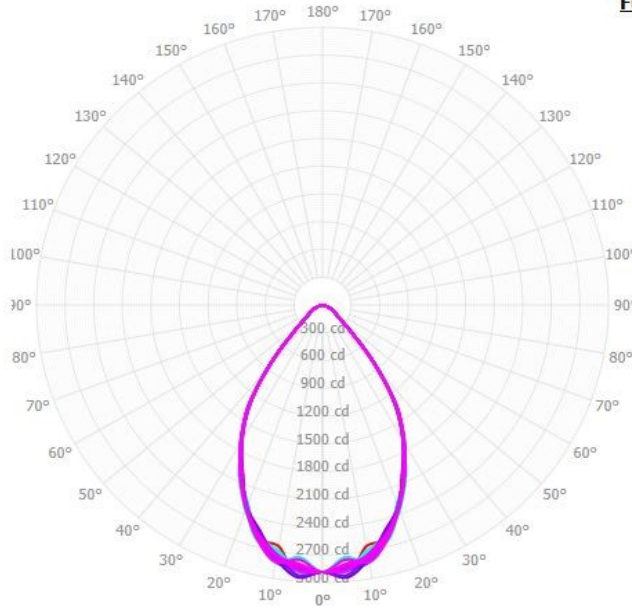
Ceiling thickness: 1/4" - 1 1/8" (3 - 35mm) Weight: 11.43 lbs



PHOTOMETRY

MDA6-W40-940-MW-M1 Total Luminaire Output: 3,433 lumens; 53 Watts

**Candela Polar Plot**



**Full Beam Angle**

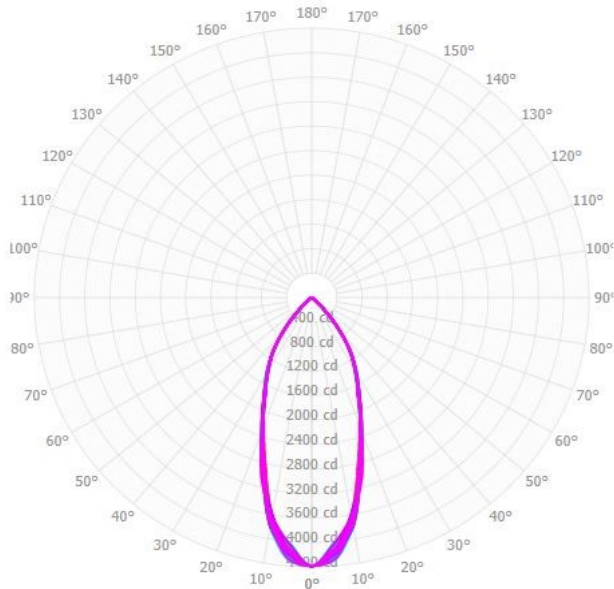
0° - 180°	66.68°
90° - 270°	66.45°

**Zonal Lumen Summary**

Zone	Lumens	% Fixture
0° - 10°	285.24	8.31%
10° - 20°	716.95	20.88%
20° - 30°	918.61	26.76%
30° - 40°	818.74	23.85%
40° - 50°	394.53	11.49%
50° - 60°	164.44	4.79%
60° - 70°	95.18	2.77%
70° - 80°	35.51	1.03%
80° - 90°	3.89	0.11%
90° - 100°	0.00	0.00%
100° - 110°	0.00	0.00%
110° - 120°	0.00	0.00%
120° - 130°	0.00	0.00%
130° - 140°	0.00	0.00%
140° - 150°	0.00	0.00%
150° - 160°	0.00	0.00%
160° - 170°	0.00	0.00%
170° - 180°	0.00	0.00%
0° - 90°	3433.09	100.00%
90° - 180°	0.00	0.00%
0° - 180°	3433.09	100.00%

MDA6-W30-940-SS-M1 Total Luminaire Output: 2,963 lumens; 46 Watts

**Candela Polar Plot**



**Full Beam Angle**

0° - 180°	40.69°
90° - 270°	42.61°

**Zonal Lumen Summary**

Zone	Lumens	% Fixture
0° - 10°	401.92	13.56%
10° - 20°	807.25	27.24%
20° - 30°	814.80	27.49%
30° - 40°	638.93	21.56%
40° - 50°	240.42	8.11%
50° - 60°	37.37	1.26%
60° - 70°	13.19	0.44%
70° - 80°	8.23	0.28%
80° - 90°	1.73	0.06%
90° - 100°	0.00	0.00%
100° - 110°	0.00	0.00%
110° - 120°	0.00	0.00%
120° - 130°	0.00	0.00%
130° - 140°	0.00	0.00%
140° - 150°	0.00	0.00%
150° - 160°	0.00	0.00%
160° - 170°	0.00	0.00%
170° - 180°	0.00	0.00%
0° - 90°	2963.84	100.00%
90° - 180°	0.00	0.00%
0° - 180°	2963.84	100.00%