

PROJECT:

NOTES:

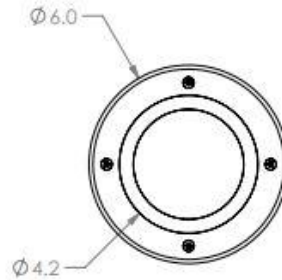
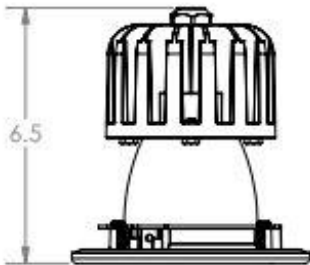
ORDERING INFORMATION:

EXAMPLE

MDA4 - 20 - 9 - 35 - SS - MW - M4 - 120 - EM - D

SERIES LUMENS CRI KELVIN REFLECTOR TRIM LENS VOLTAGE OPTIONS DRIVER

SHOP DRAWINGS



ORDERING INFORMATION

SERIES

MDA4

LUMENS*

5	500 lm
10	1000 lm
20	2000 lm
30	3000 lm
W20A3	2000 lm (White), 300 lm (Amber)**
A3	300 lm (Amber)

*Other lumen packages available.

**2 circuits

CRI

BLANK	80 CRI
9	90 CRI

KELVIN

27	2700K
30	3000K
35	3500K
40	4000K
50	5000K
TW	Tunable White

REFLECTOR

MW	Matte White
SS	Semi Specular
CS	Clear Specular

TRIM FINISH

WH	Matte White
BR	Brushed
AM	Antimicrobial White
BK	Textured Black

SECURITY LENS (NOMINAL THICKNESS)

M1	Clear Polycarbonate (1/8")
M4	Clear Polycarbonate (1/4")

VOLTAGE

120	120V
277	277V
347	347V

OPTIONS

EM	Emergency Power Pack
FU	Fuse and Holder

DRIVER

ND	Non-dimming applications
D	0-10V Dimming
D1	0-10V Dimming to 1%
DA	DALI Driver



FEATURES

- > 4" inch diameter LED downlight for anti-vandal and anti-ligature behavioral healthcare applications.
- > Minimum 80 CRI; color range 2700K - 5000K available
- > Multiple dimming protocols available
- > Tunable White option available
- > Colored LED boards optional (white, red, amber)
- > IP65 for recessed applications
- > Security lens tightly secured fastened internally with multiple screws
- > IK10 rated
- > Anti-ligature
- > Operating temperature (-30 to 45 Celsius / -22 to 113 Fahrenheit)

APPLICATIONS

- > Hospitals
- > Rehabilitation Centers
- > Behavioral Healthcare Facilities
- > Canopies

ÉCLAIRAGES

PACO
LIGHTING

FIXTURE PERFORMANCE DATA

SPECIFICATIONS

Reflector– Clear-specular, semi-specular or white spun aluminum reflector. Other finishes available on request.

Lens – Flush 1/8" or 1/4" high impact Polycarbonate lens for high abuse retained by screws on trim. Other lens thicknesses available on request.

Finish – Baked white matte powder finish or brushed finish on trim. Antimicrobial matte white paint available.

Electrical – High quality high-power LED board. L80 >50,000 hours..

Mounting – Recessed

Listings –

- cUL certified for non-IC installations
- IP65 certified

Warranty – 5-year limited warranty

LED PACKAGE	DELIVERED LUMENS	WATTAGE	EFFICACY (lm/W)
W5 (semi-specular)	558	8	70
W10 (semi-specular)	1,116	16	70
W20 (semi-specular)	2,232	31	72
W30 (semi-specular)	3,240	45	72
W5 (matte white)	496	7	70
W10 (matte white)	1,001	15	67
W20 (matte white)	1,989	32	62
W30 (matte white)	2,887	45	64

*Results based on 4000K, 80 CRI, M1 lens (1/8")

**Luminaire is available in all wattages ranging from 3 watts to 53 watts.

MULTIPLIER TABLE	
COLOR TEMPERATURE	
CCT/CRI	CONVERSION FACTOR
3000K / 80 CRI	0.95
3500K / 80 CRI	0.97
4000K / 80 CRI	1
5000K / 80 CRI	1.03

PLASTER FRAME DIMENSIONS

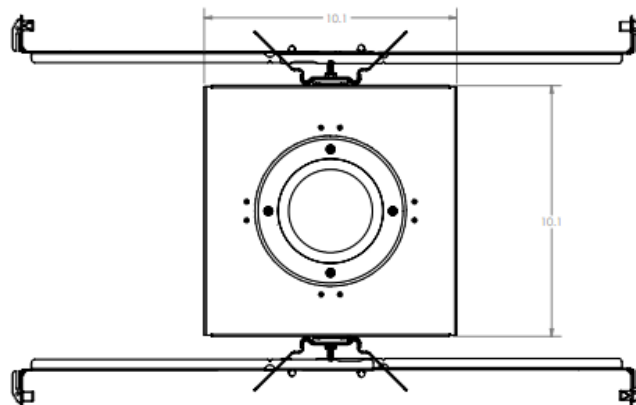
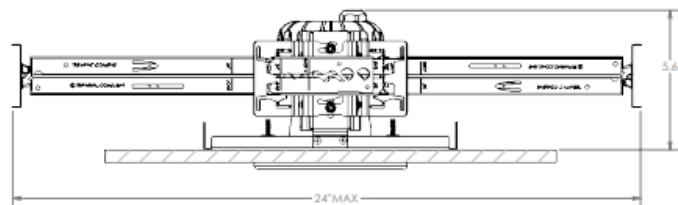
NEW CONSTRUCTION PLASTER FRAME KIT FOR NON-IC

Plaster frame with hanger bars system for new construction installations.

Suitable for insulated ceiling applications.

Plaster frame can be shipped separately.

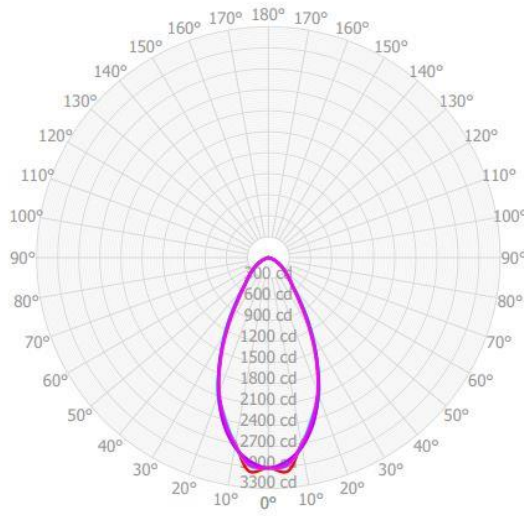
Ceiling thickness: 1/8" - 1 1/8" (3 - 35mm) Weight: 10.77 lbs



PHOTOMETRY

MDA4-W30-940-MW-M1 Total Luminaire Output: 2,887 lumens; 53 Watts

Candela Polar Plot



Full Beam Angle

0° - 180°	51.65°
90° - 270°	52.78°

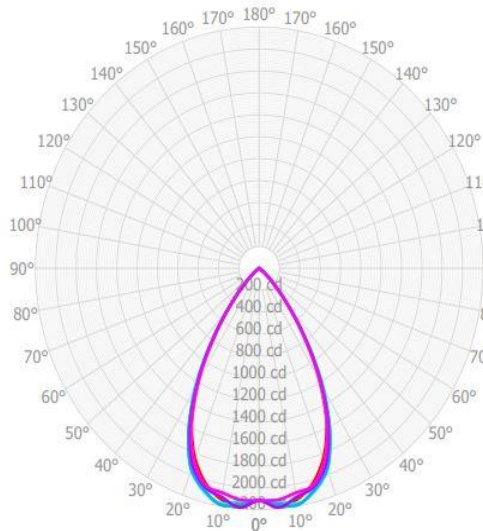
0°-180°	—
22.5°-202.5°	—
45°-225°	—
67.5°-247.5°	—
90°-270°	—
112.5°-292.5°	—
135°-315°	—
157.5°-337.5°	—

Candela Distribution

	0.00°	22.50°	45.00°	67.50°	90.00°
0.00°	3008.07	3008.07	3008.07	3008.07	3008.07
5.00°	3072.11	2983.68	2927.72	2970.65	2997.29
10.00°	2700.82	2724.09	2749.78	2747.73	2713.23
15.00°	2424.04	2403.50	2462.63	2443.79	2375.92
20.00°	2067.98	2051.15	2069.70	2093.78	2079.05
25.00°	1610.19	1622.07	1638.45	1631.72	1655.14
30.00°	1161.95	1178.27	1186.09	1220.18	1226.19
35.00°	769.31	778.56	802.35	837.88	830.24
40.00°	523.32	540.61	543.71	546.18	551.51
45.00°	417.28	409.01	410.10	407.13	411.43
50.00°	315.89	320.10	314.20	308.32	317.09
55.00°	237.52	236.26	239.09	240.47	236.62
60.00°	168.58	170.28	169.83	173.08	169.07
65.00°	108.56	114.46	109.75	111.74	105.71
70.00°	60.64	60.39	58.80	60.90	61.77
75.00°	25.32	26.25	23.44	25.36	24.77
80.00°	8.88	9.40	8.66	8.77	8.62
85.00°	3.83	3.41	3.36	3.33	2.71
90.00°	0.55	0.52	0.43	0.75	0.92

MDA4-W20-940-SS-M1 Total Luminaire Output: 2,232 lumens; 36 Watts

Candela Polar Plot



Full Beam Angle

0° - 180°	62.33°
90° - 270°	63.88°

0°-180°	—
22.5°-202.5°	—
45°-225°	—
67.5°-247.5°	—
90°-270°	—
112.5°-292.5°	—
135°-315°	—
157.5°-337.5°	—

Candela Distribution

	0.00°	22.50°	45.00°	67.50°	90.00°
0.00°	2119.09	2119.09	2119.09	2119.09	2119.09
5.00°	2163.00	2119.85	2189.01	2167.94	2128.02
10.00°	2140.33	2078.94	2119.17	2189.20	2177.58
15.00°	2031.88	2050.41	2066.18	2094.73	2105.33
20.00°	1845.02	1879.03	1914.36	1953.80	1952.86
25.00°	1569.27	1585.42	1609.86	1647.70	1624.50
30.00°	1187.35	1209.27	1219.97	1242.38	1269.56
35.00°	789.31	779.39	805.68	818.78	818.17
40.00°	436.45	443.93	443.73	446.43	437.43
45.00°	212.46	211.34	211.01	208.96	207.46
50.00°	81.45	82.49	82.93	82.72	86.00
55.00°	31.07	32.13	31.08	33.03	33.43
60.00°	13.92	13.33	14.83	13.87	13.95
65.00°	7.51	6.77	7.34	7.22	6.93
70.00°	3.91	3.39	3.46	3.82	4.31
75.00°	1.77	1.97	2.24	2.27	1.76
80.00°	0.90	0.74	0.82	0.85	0.59
85.00°	0.08	0.06	0.08	0.02	0.06
90.00°	0.05	0.02	0.07	0.04	0.09