

PROJECT:

NOTES:

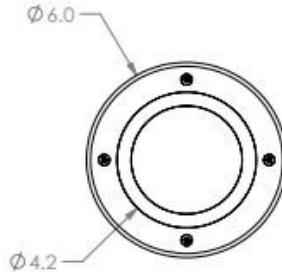
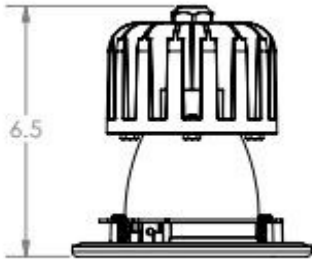
ORDERING INFORMATION:

EXAMPLE

MDA4 - 20 - 9 - 35 - SS - MW - M4 - 120 - EM - D

SERIES LUMENS CRI KELVIN REFLECTOR TRIM LENS VOLTAGE OPTIONS DRIVER

SHOP DRAWINGS



ORDERING INFORMATION

SERIES

MDA4

REFLECTOR

MW Matte White
SS Semi Specular

LUMENS*

5 500 lm
10 1000 lm
20 2000 lm
30 3000 lm
W20A3 2000 lm (White), 300 lm (Amber)**
A3 300 lm (Amber)

*Other lumen packages available.

**2 circuits

TRIM FINISH

WH Matte White
BR Brushed
AM Antimicrobial White
BK Textured Black

SECURITY LENS (NOMINAL THICKNESS)

M1 Clear Polycarbonate (1/8")
M4 Clear Polycarbonate (1/4")

VOLTAGE

120 120V
277 277V
347 347V

OPTIONS

EM Emergency Power Pack
FU Fuse and Holder

DRIVER

ND Non-dimming applications
D 0-10V Dimming
D1 0-10V Dimming to 1%
DA DALI Driver

CRI

BLANK 80 CRI
9 90 CRI

KELVIN

27 2700K
30 3000K
35 3500K
40 4000K
50 5000K
TW Tunable White
AB Amber
R Red



FEATURES

- > 4" inch diameter LED downlight for anti-vandal and anti-ligature behavioral healthcare applications.
- > Minimum 80 CRI; color range 2700K - 5000K available
- > Multiple dimming protocols available
- > Tunable White option available
- > Colored LED boards optional (white, red, amber)
- > IP65 for recessed applications
- > Security lens tightly secured fastened internally with multiple screws
- > IK10 rated
- > Anti-ligature

APPLICATIONS

- > Hospitals
- > Rehabilitation Centers
- > Behavioral Healthcare Facilities
- > Canopies

ÉCLAIRAGES

PACO

LIGHTING

FIXTURE PERFORMANCE DATA

SPECIFICATIONS

Reflector – Semi-specular or white spun aluminum reflector. Other finishes available on request.

Lens – Flush 1/8" or 1/4" high impact Polycarbonate lens for high abuse retained by screws on trim. Other lens thicknesses available on request.

Finish – Baked white matte powder finish or brushed finish on trim. Antimicrobial matte white paint available.

Electrical – High quality high-power LED board. L80 >50,000 hours..

Mounting – Recessed

Listings –

- cUL certified for non-IC installations
- IP65 certified

Warranty – 5-year limited warranty

LED PACKAGE	DELIVERED LUMENS	WATTAGE	EFFICACY (lm/W)
W5 (semi-specular)	558	8	70
W10 (semi-specular)	1,116	16	70
W20 (semi-specular)	2,232	31	72
W30 (semi-specular)	3,240	45	72
W5 (matte white)	496	7	70
W10 (matte white)	1,001	15	67
W20 (matte white)	1,989	32	62
W30 (matte white)	2,887	45	64

*Results based on 4000K, 80 CRI, M1 lens (1/8")

MULTIPLIER TABLE COLOR TEMPERATURE	
CCT/CRI	CONVERSION FACTOR
3000K / 80 CRI	0.95
3500K / 80 CRI	0.97
4000K / 80 CRI	1
5000K / 80 CRI	1.03

PLASTER FRAME DIMENSIONS

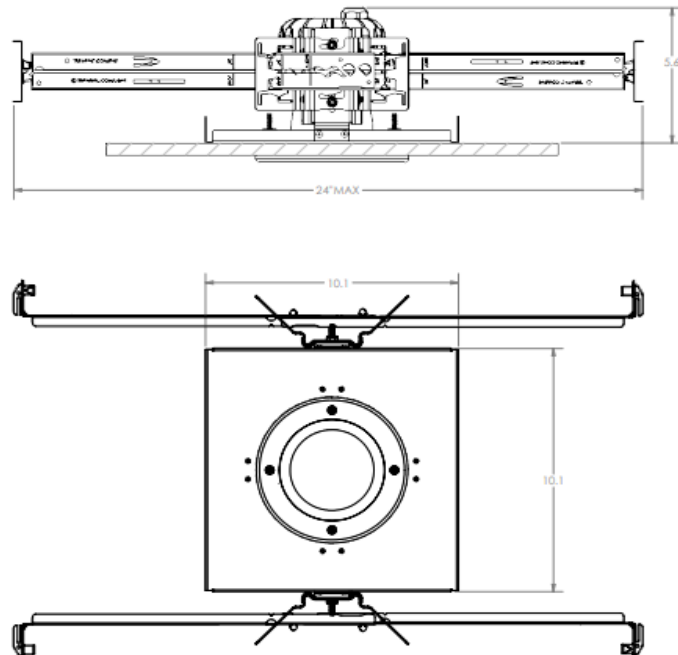
NEW CONSTRUCTION PLASTER FRAME KIT FOR NON-IC

Plaster frame with hanger bars system for new construction installations.

Suitable for insulated ceiling applications.

Plaster frame can be shipped separately.

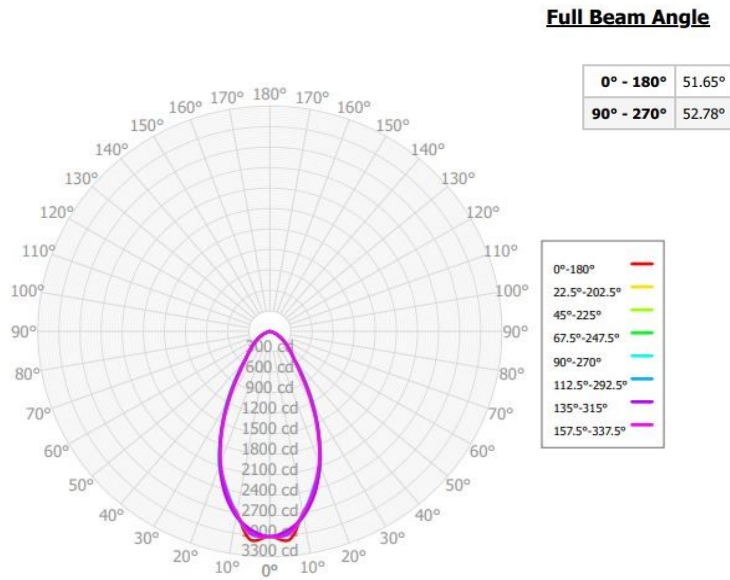
Ceiling thickness: 3/8" - 1 3/8" (3 - 35mm) Weight: 10.77 lbs



PHOTOMETRY

MDA4-W30-940-MW-M1 Total Luminaire Output: 2,887 lumens; 53 Watts

Candela Polar Plot

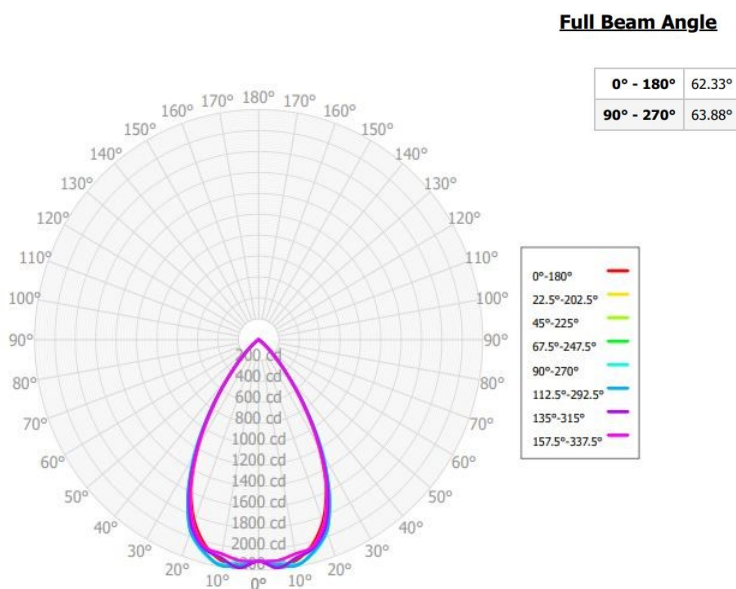


Candela Distribution

	0.00°	22.50°	45.00°	67.50°	90.00°
0.00°	3008.07	3008.07	3008.07	3008.07	3008.07
5.00°	3072.11	2983.68	2927.72	2970.65	2997.29
10.00°	2700.82	2724.09	2749.78	2747.73	2713.23
15.00°	2424.04	2403.50	2462.63	2443.79	2375.92
20.00°	2067.98	2051.15	2069.70	2093.78	2079.05
25.00°	1610.19	1622.07	1638.45	1631.72	1655.14
30.00°	1161.95	1178.27	1186.09	1220.18	1226.19
35.00°	769.31	778.56	802.35	837.88	830.24
40.00°	523.32	540.61	543.71	546.18	551.51
45.00°	417.28	409.01	410.10	407.13	411.43
50.00°	315.89	320.10	314.20	308.32	317.09
55.00°	237.52	236.26	239.09	240.47	236.62
60.00°	168.58	170.28	169.83	173.08	169.07
65.00°	108.56	114.46	109.75	111.74	105.71
70.00°	60.64	60.39	58.80	60.90	61.77
75.00°	25.32	26.25	23.44	25.36	24.77
80.00°	8.88	9.40	8.66	8.77	8.62
85.00°	3.83	3.41	3.36	3.33	2.71
90.00°	0.55	0.52	0.43	0.75	0.92

MDA4-W20-940-SS-M1 Total Luminaire Output: 2,232 lumens; 36 Watts

Candela Polar Plot



Candela Distribution

	0.00°	22.50°	45.00°	67.50°	90.00°
0.00°	2119.09	2119.09	2119.09	2119.09	2119.09
5.00°	2163.00	2119.85	2189.01	2167.94	2128.02
10.00°	2140.33	2078.94	2119.17	2189.20	2177.58
15.00°	2031.88	2050.41	2066.18	2094.73	2105.33
20.00°	1845.02	1879.03	1914.36	1953.80	1952.86
25.00°	1569.27	1585.42	1609.86	1647.70	1624.50
30.00°	1187.35	1209.27	1219.97	1242.38	1269.56
35.00°	789.31	779.39	805.68	818.78	818.17
40.00°	436.45	443.93	443.73	446.43	437.43
45.00°	212.46	211.34	211.01	208.96	207.46
50.00°	81.45	82.49	82.93	82.72	86.00
55.00°	31.07	32.13	31.08	33.03	33.43
60.00°	13.92	13.33	14.83	13.87	13.95
65.00°	7.51	6.77	7.34	7.22	6.93
70.00°	3.91	3.39	3.46	3.82	4.31
75.00°	1.77	1.97	2.24	2.27	1.76
80.00°	0.90	0.74	0.82	0.85	0.59
85.00°	0.08	0.06	0.08	0.02	0.06
90.00°	0.05	0.02	0.07	0.04	0.09