

PROJECT:

NOTES:

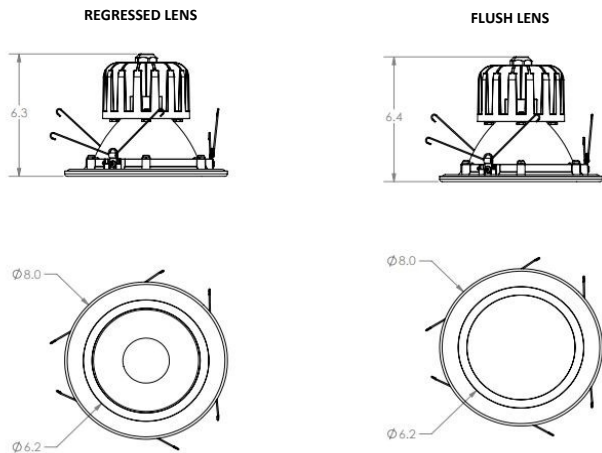
ORDERING INFORMATION:

EXAMPLE

MD6 - W30 - 9 - 35 - MW - FL - MW - 347 - EM - D1

SERIES LUMENS CRI KELVIN REFLECT. LENS TRIM VOLTAGE OPTIONS DRIVER

SHOP DRAWINGS



ORDERING INFORMATION

SERIES

MD6

LUMENS\*

W5	500 lm (White)
W10	1000 lm (White)
W20	2000 lm (White)
W30	3000 lm (White)
W40	4000 lm (White)
W20A3	2000 lm (White), 300 lm (Amber)**
A3	300 lm (Amber)
W20R2	2000 lm (White), 200 lm (Red)**
R2	200 lm (Red)

\*Other lumen packages available.

\*\*2 circuits

CRI

BLANK	80 CRI
9	90 CRI

KELVIN

27	2700K
30	3000K
35	3500K
40	4000K
50	5000K
TW	Tunable White

REFLECTOR

MW	Matte White
SS	Semi Specular
CS	Clear Specular

LENS

RL	Regressed Lens
FL	Flush Lens (NSF)

TRIM FINISH

WH	Matte White
BR	Brushed
AM	Antimicrobial Matte White
BK	Textured Black

VOLTAGE

120	120V
277	277V
347	347V

OPTIONS

EM	Emergency Power Pack
FU	Fuse and Holder

DRIVER

ND	Non-dimming applications
D	0-10V Dimming
D1	0-10V Dimming to 1%
DA	DALI Driver



FEATURES

- > 6" inch diameter specification grade LED downlight for medical applications
- > Minimum 80 CRI; color range 2700K - 5000K available
- > Multiple dimming protocols available
- > Tunable White option available
- > Colored LED boards optional (white, red, amber)
- > IP65 for recessed applications
- > FED-STD-209E/Class 100 (ISO5-9) suitable with flush lens
- > NSF Certified for Splash Zone Installations (flush lens only)

APPLICATIONS

- > Hospitals
- > Nursing Homes
- > Medical Clinics
- > Patient Rooms
- > Laboratories
- > Canopies

## FIXTURE PERFORMANCE DATA

## SPECIFICATIONS

**Reflector**– Semi-specular or white spun Aluminium reflector. Other finishes available on request.

**Lens** – Flush lens or regressed lens available.

**Finish** – Baked white matte powder finish or brushed finish on trim. Antimicrobial matte white paint available.

**Electrical** – High quality mid-power LED boards. L80 >50,000 hours..

**Mounting** – Can be mounted on plaster frame using strong clips system to secure it.

## Listings –

- cUL certified for non-IC installations
- IP65 certified
- NSF certified for splash zone installations.

**Warranty** – 5-year limited warranty

LED PACKAGE	DELIVERED LUMENS	WATTAGE	EFFICACY (lm/W)
W5 (semi-specular)	499	7	71
W10 (semi-specular)	995	13	76
W20 (semi-specular)	1,989	26	77
W30 (semi-specular)	2,992	39	77
W40 (semi-specular)	3,970	53	75
W5 (matte white)	500	7	71
W10 (matte white)	999	13	77
W20 (matte white)	2,000	26	77
W30 (matte white)	3,001	39	77
W40 (matte white)	3,979	53	75

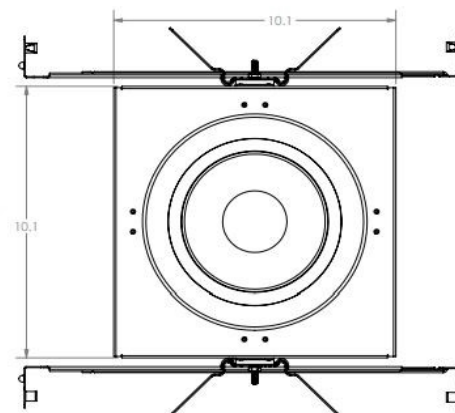
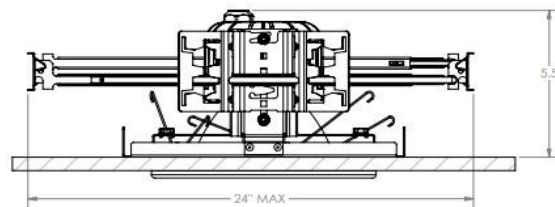
\*Results based on 4000K, 80 CRI, flush polycarbonate lens

MULTIPLIER TABLE	
COLOR TEMPERATURE	
CCT/CRI	CONVERSION FACTOR
3000K / 80 CRI	0.95
3500K / 80 CRI	0.97
4000K / 80 CRI	1
5000K / 80 CRI	1.03

## INSTALLATION OPTIONS

## NEW CONSTRUCTION PLASTER FRAME KIT FOR NON-IC

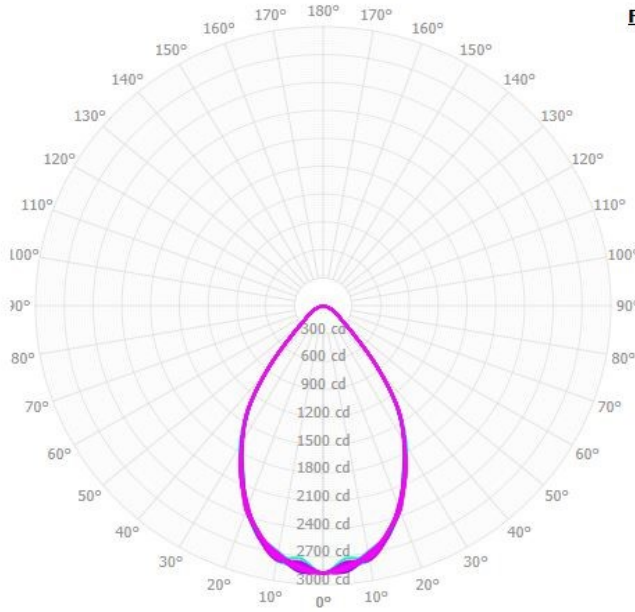
Plaster frame with hanger bars system for new construction installations.  
Suitable for non-IC installations.  
Plaster frame can be shipped separately.  
Ceiling thickness: ¼" - 1¾" (3 - 35mm) weight: 11.05 lbs



PHOTOMETRY

MD6-W40-940-MW-FL Total Luminaire Output: 3,460 lumens; 53 Watts

**Candela Polar Plot**



**Full Beam Angle**

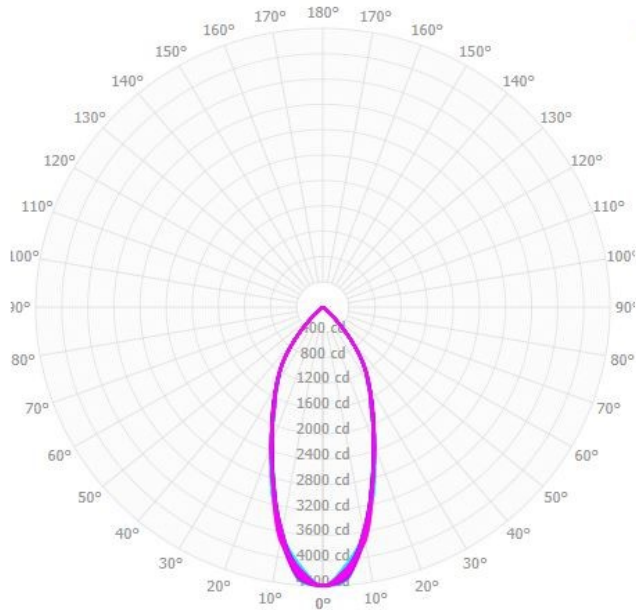
0° - 180°	67.64°
90° - 270°	67.67°

**Zonal Lumen Summary**

Zone	Lumens	% Fixture
0° - 10°	282.19	8.16%
10° - 20°	711.45	20.56%
20° - 30°	916.09	26.47%
30° - 40°	821.93	23.75%
40° - 50°	409.73	11.84%
50° - 60°	180.09	5.20%
60° - 70°	100.29	2.90%
70° - 80°	34.75	1.00%
80° - 90°	3.69	0.11%
90° - 100°	0.00	0.00%
100° - 110°	0.00	0.00%
110° - 120°	0.00	0.00%
120° - 130°	0.00	0.00%
130° - 140°	0.00	0.00%
140° - 150°	0.00	0.00%
150° - 160°	0.00	0.00%
160° - 170°	0.00	0.00%
170° - 180°	0.00	0.00%
0° - 90°	3460.21	100.00%
90° - 180°	0.00	0.00%
0° - 180°	3460.21	100.00%

MD6-W30-940-SS-FL Total Luminaire Output: 2,992 lumens; 46 Watts

**Candela Polar Plot**



**Full Beam Angle**

0° - 180°	41.68°
90° - 270°	41.15°

**Zonal Lumen Summary**

Zone	Lumens	% Fixture
0° - 10°	400.88	13.40%
10° - 20°	803.23	26.84%
20° - 30°	821.24	27.44%
30° - 40°	647.01	21.62%
40° - 50°	249.62	8.34%
50° - 60°	43.44	1.45%
60° - 70°	16.37	0.55%
70° - 80°	9.12	0.30%
80° - 90°	1.75	0.06%
90° - 100°	0.00	0.00%
100° - 110°	0.00	0.00%
110° - 120°	0.00	0.00%
120° - 130°	0.00	0.00%
130° - 140°	0.00	0.00%
140° - 150°	0.00	0.00%
150° - 160°	0.00	0.00%
160° - 170°	0.00	0.00%
170° - 180°	0.00	0.00%
0° - 90°	2992.66	100.00%
90° - 180°	0.00	0.00%
0° - 180°	2992.66	100.00%