

PROJECT:

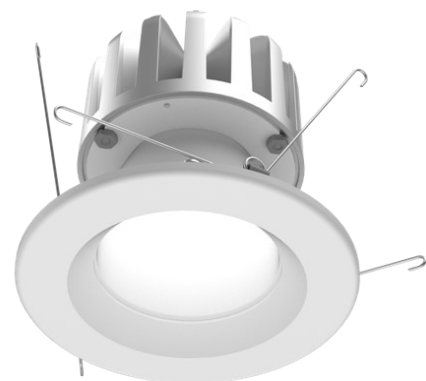
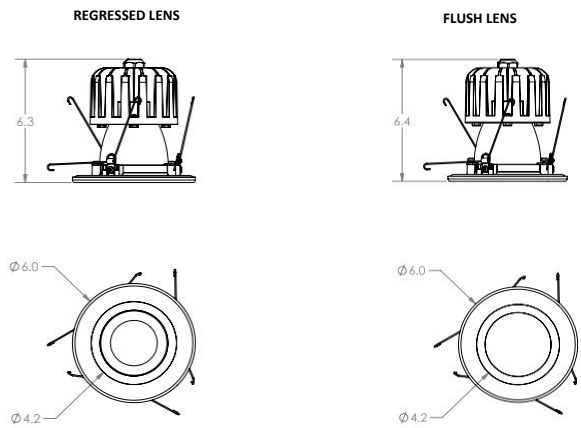
NOTES:

ORDERING INFORMATION:

**EXAMPLE** → MD4 - W30 - 9 - 35 - SS - FL - MW - 347 - EM - D1

SERIES    LUMENS    CRI    KELVIN    REFLECT.    LENS    TRIM    VOLTAGE    OPTIONS    DRIVER

**SHOP DRAWINGS**



**ORDERING INFORMATION**

**SERIES**  
MD4

**LUMENS\***

W5	500 lm (White)
W10	1000 lm (White)
W20	2000 lm (White)
W30	3000 lm (White)
W20A3	2000 lm (White), 300 lm (Amber)**
A3	300 lm (Amber)
W20R2	2000 lm (White), 200 lm (Red)**
R2	200 lm (Red)

\*Other lumen packages available.  
\*\*2 circuits

**CRI**

BLANK	80 CRI
9	90 CRI

**KELVIN**

27	2700K
30	3000K
35	3500K
40	4000K
50	5000K
TW	Tunable White

**REFLECTOR**

MW	Matte White
SS	Semi Specular
CS	Clear Specular

**LENS**

RL	Regressed Lens
FL	Flush Lens (NSF)

**TRIM FINISH**

WH	Matte White
BR	Brushed
AM	Antimicrobial Matte White
BK	Textured Black

**VOLTAGE**

120	120V
277	277V
347	347V

**OPTIONS**

EM	Emergency Power Pack
FU	Fuse and Holder

**DRIVER**

ND	Non-dimming applications
D	0-10V Dimming
D1	0-10V Dimming to 1%
DA	DALI Driver



**FEATURES**

- > 4" inch diameter specification grade LED downlight for medical applications
- > Minimum 80 CRI; color range 2700K - 5000K available
- > Multiple dimming protocols available
- > Tunable White option available
- > Colored LED boards optional (white, red, amber)
- > IP65 for recessed applications
- > FED-STD-209E/Class 100 (ISO5-9) suitable with flush lens
- > NSF Certified for Splash Zone Installations (flush lens only)

**APPLICATIONS**

- > Hospitals
- > Nursing Homes
- > Medical Clinics
- > Patient Rooms
- > Laboratories
- > Canopies

## FIXTURE PERFORMANCE DATA

## SPECIFICATIONS

**Reflector**– Semi-specular or white spun Aluminium reflector. Other finishes available on request.

**Lens** – Flush lens or regressed lens available.

**Finish** – Baked white matte powder finish or brushed finish on trim. Antimicrobial matte white paint available.

**Electrical** – High quality mid-power LED boards. L80 >50,000 hours.

**Mounting** – Can be mounted on plaster frame using strong clips system to secure it.

## Listings –

- cUL certified for non-IC installations
- IP65 certified
- NSF certified for splash zone installations.

**Warranty** – 5-year limited warranty

LED PACKAGE	DELIVERED LUMENS	WATTAGE	EFFICACY (lm/W)
5 (semi-specular)	541	7	77
10 (semi-specular)	1,083	15	72
20 (semi-specular)	1,997	28	71
30 (semi-specular)	3,224	46	70
5 (matte white)	506	7	72
10 (matte white)	1,011	15	67
20 (matte white)	1,943	29	67
30 (matte white)	2,996	46	65

\*Results based on 4000K, 80 CRI, flush polycarbonate lens

MULTIPLIER TABLE	
COLOR TEMPERATURE	
CCT/CRI	CONVERSION FACTOR
3000K / 80 CRI	0.95
3500K / 80 CRI	0.97
4000K / 80 CRI	1
5000K / 80 CRI	1.03

## INSTALLATION OPTIONS

## NEW CONSTRUCTION PLASTER FRAME KIT FOR NON IC

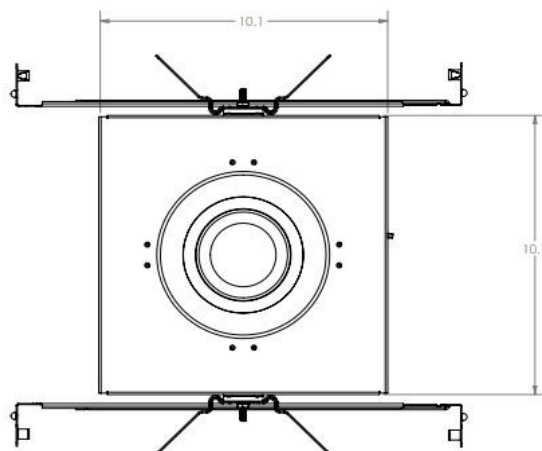
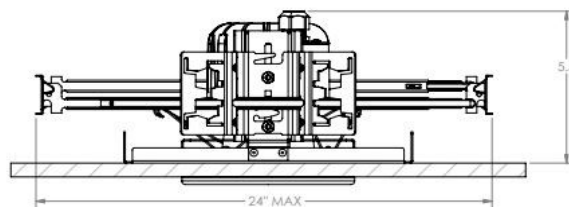
Plaster frame with hanger bars system for new construction installations.

Suitable for non-IC applications.

Plaster frame can be shipped separately.

Ceiling thickness: 3/8" - 1 1/8" (3 - 35mm)

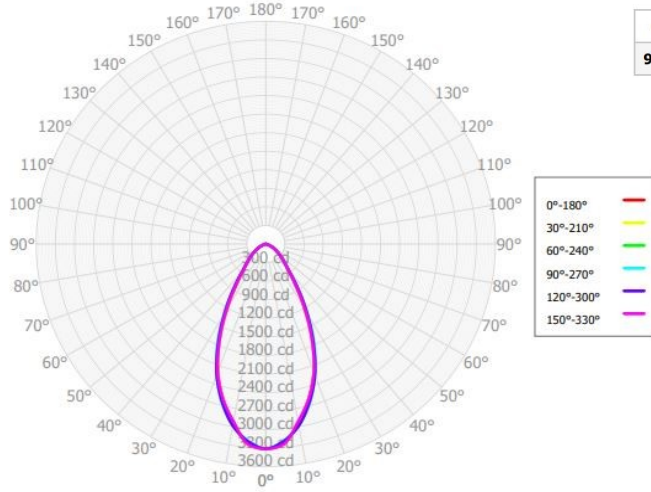
Weight of MD4/plaster frame/driver: 10.73 lbs



PHOTOMETRY

MD4-W30-940-MW-FL Total Luminaire Output: 2,996 lumens; 53 Watts

**Candela Polar Plot**



**Full Beam Angle**

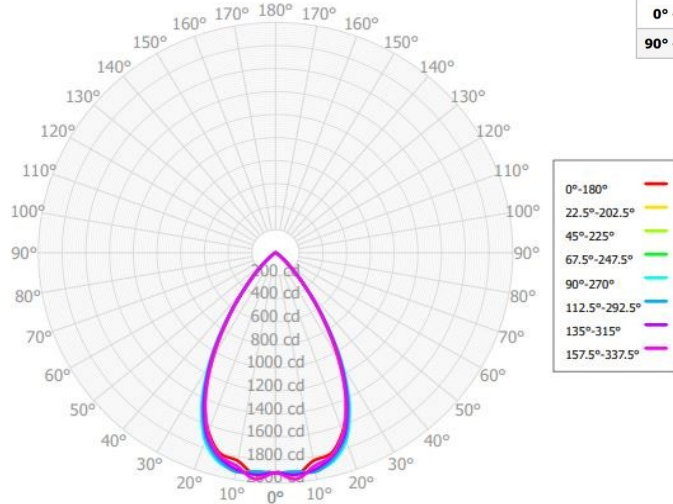
0° - 180°	51.22°
90° - 270°	52.97°

**Candela Distribution**

	0.00°	30.00°	60.00°	90.00°
0.00°	3313.44	3313.44	3313.44	3313.44
5.00°	3248.79	3247.89	3206.34	3196.91
10.00°	2931.81	2916.66	2983.24	2977.12
15.00°	2592.28	2599.70	2645.26	2664.26
20.00°	2201.41	2211.92	2250.54	2245.63
25.00°	1717.69	1722.75	1762.44	1802.57
30.00°	1215.93	1245.76	1285.09	1311.70
35.00°	805.77	823.57	866.80	881.42
40.00°	533.60	543.41	556.51	556.65
45.00°	404.49	402.81	401.11	399.42
50.00°	304.75	301.57	299.72	297.32
55.00°	220.58	218.95	217.51	216.04
60.00°	154.62	152.20	152.42	152.67
65.00°	95.33	96.92	95.09	95.46
70.00°	50.46	50.14	50.38	51.30
75.00°	19.32	20.08	19.11	19.16
80.00°	6.34	6.27	6.43	6.28
85.00°	2.45	2.18	2.39	2.07
90.00°	0.58	0.73	0.81	0.82

MD4-W20-940-SS-FL Total Luminaire Output: 1,997 lumens; 33 Watts

**Candela Polar Plot**



**Full Beam Angle**

0° - 180°	61.81°
90° - 270°	63.64°

**Candela Distribution**

	0.00°	22.50°	45.00°	67.50°	90.00°
0.00°	1913.84	1913.84	1913.84	1913.84	1913.84
5.00°	1938.55	1974.93	1935.65	1910.08	1929.09
10.00°	1836.16	1882.44	1912.15	1931.47	1924.42
15.00°	1805.85	1827.95	1836.87	1859.59	1877.62
20.00°	1655.87	1673.60	1692.96	1715.73	1740.24
25.00°	1407.60	1400.52	1424.46	1451.44	1477.40
30.00°	1052.72	1072.32	1091.10	1104.11	1128.82
35.00°	692.53	709.10	713.45	723.39	740.09
40.00°	397.25	401.34	399.21	397.54	391.47
45.00°	194.42	195.04	193.11	193.64	188.00
50.00°	78.58	80.10	77.57	79.55	80.61
55.00°	33.55	32.91	31.77	33.25	33.67
60.00°	14.90	15.43	16.29	14.71	14.77
65.00°	8.75	7.80	7.57	8.16	8.32
70.00°	4.29	4.40	4.86	4.73	5.50
75.00°	2.65	2.66	2.67	2.62	2.75
80.00°	1.06	0.80	0.77	0.83	0.50
85.00°	0.16	0.11	0.07	0.11	0.09
90.00°	0.14	0.12	0.07	0.13	0.03