

## ! IMPORTANT

Read instructions carefully before installing. Keep these instructions for future reference.

Fixture must be wired in accordance with the National Electrical Code and all applicable local code. Proper grounding is required for safety. This product must be installed in accordance with the applicable installation code by a qualified electrician who is familiar with the construction and operation of the product and the hazard involved.

- All wiring connections should be capped with UL or CSA approved wire connectors.
- Min 90o C supply conductor.

## ! IMPORTANT SAFETY INFORMATION

**Caution:** Installation and servicing of this luminaire should be performed by qualified personnel only.

**Caution:** This fixture is designed for permanent installation in ordinary (Non-Hazardous) locations in accordance with the National Electrical Code. Do not use in areas of limited ventilation or in high ambient enclosures. The lamp and fixture operate at high temperature. Contact with combustible material can cause fire and personal contact can cause severe burns.

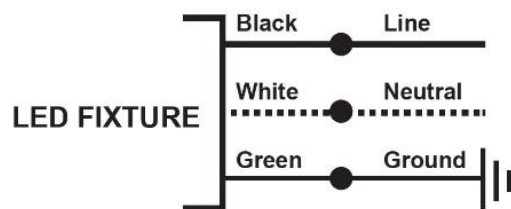
## ! CLEANING AND MAINTENANCE

**Caution:** Do not clean or maintain while the luminaire is energized. Check that the luminaire temperature is cool enough to touch. Periodically check and remove any accumulated dirt or debris around luminaire. DO NOT TOUCH LED's.

### GENERAL WIRING DIAGRAM

All units must be individually connected to the AC Supply

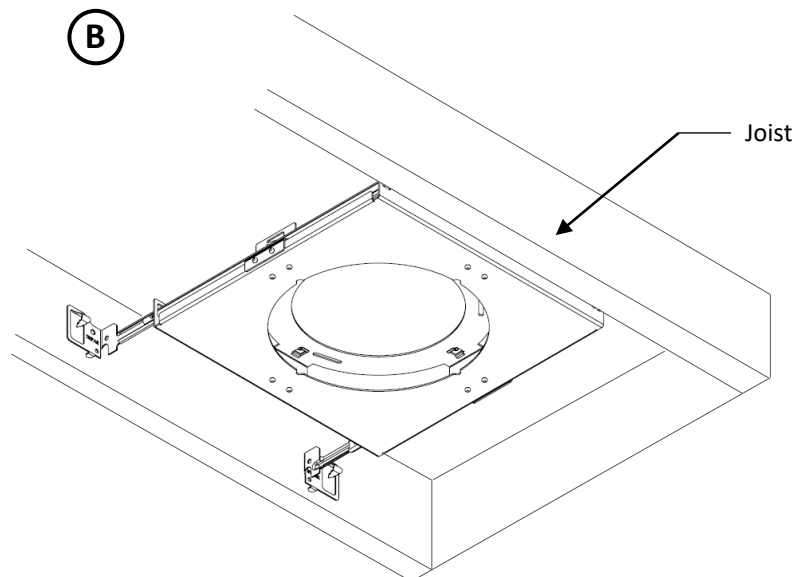
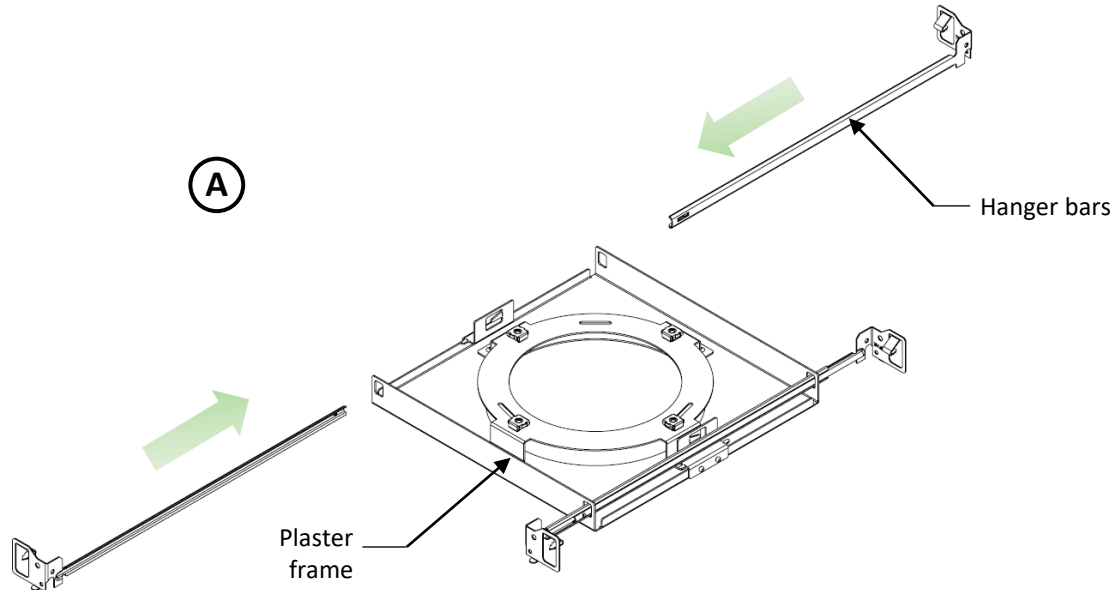
All units must be connected to ac power supply: Select appropriate access point for your installation, remove knockout, and feed power lead through hole. Connect the supply wire from the source to the driver.



## INFOS

## Plaster frame installation (Suitable for NON IC ceiling)

- A. Install hanger bars into the plaster frame. Adjust to desired length (21" max).
- B. Fasten hanger bars to joists using #8 screws (by others)



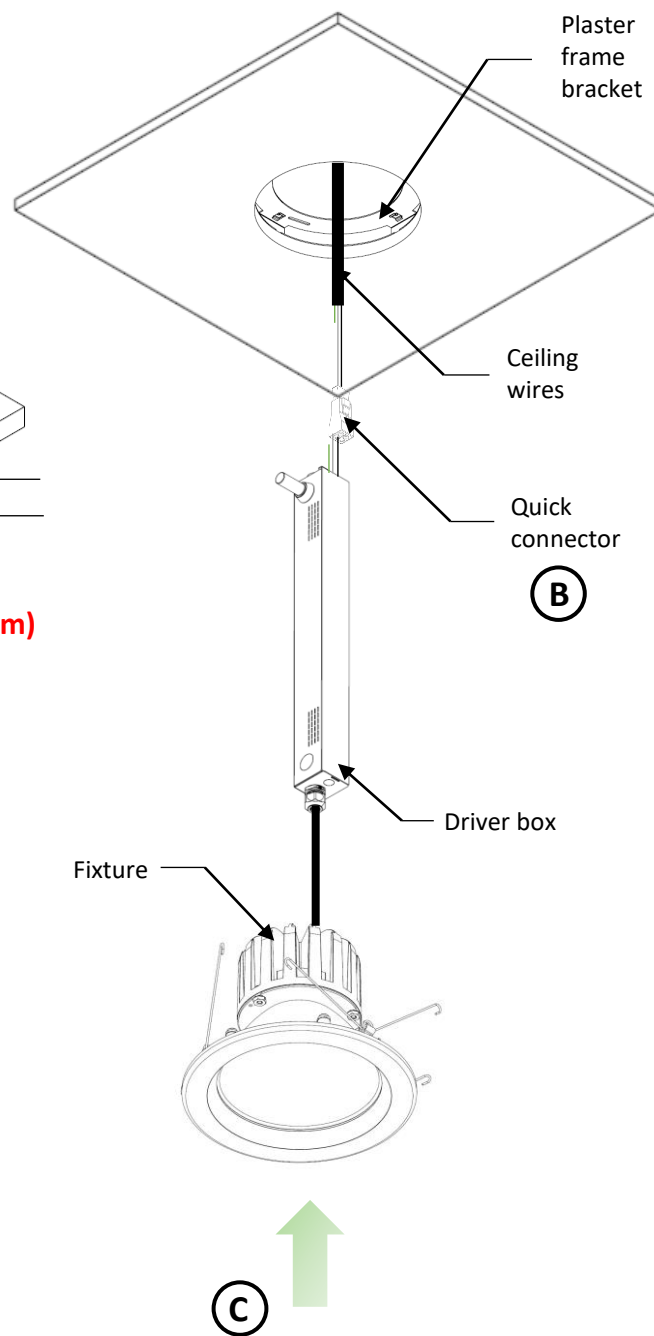
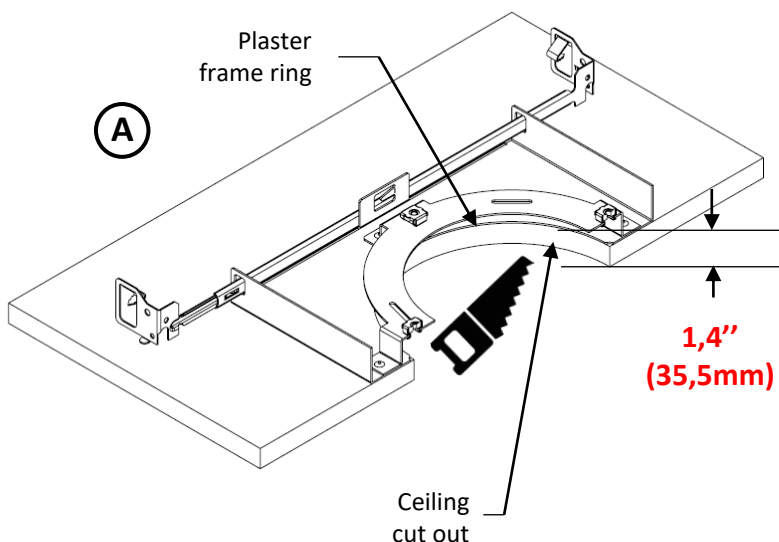
## INFOS

**Fixture installation (0-10V or DALI or NO DIMMING / 120-277V or 347V)**

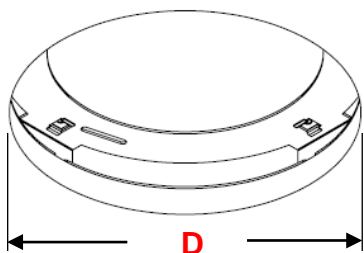
(Before installation, ensure power is disconnected. Cable must be connected in accordance to instruction and proper standing rules).

- A. Make hole in ceiling following the ceiling cut-out table.  
\*Make sure to not damage plaster frame ring.
- B. Feed ceiling wires in quick connector included. Make connections with junction box using the quick connector. Follow wiring diagrams on page 4-5.
- C. Push the driver box into ceiling and push the fixture into ceiling using the 3x clips. Align the three clips with the grooves in the plaster frame ring.

**\*Very important :**  
If you use a saw do not exceed 1,4''(35,5mm) from ceiling by cutting. It will damage the plaster frame ring.



Models	Ceiling cut-out dimension (D)
MD4_MDS4_MDA4	5" (127mm)
MD6_MDS6_MDA6	7" (177.8mm)



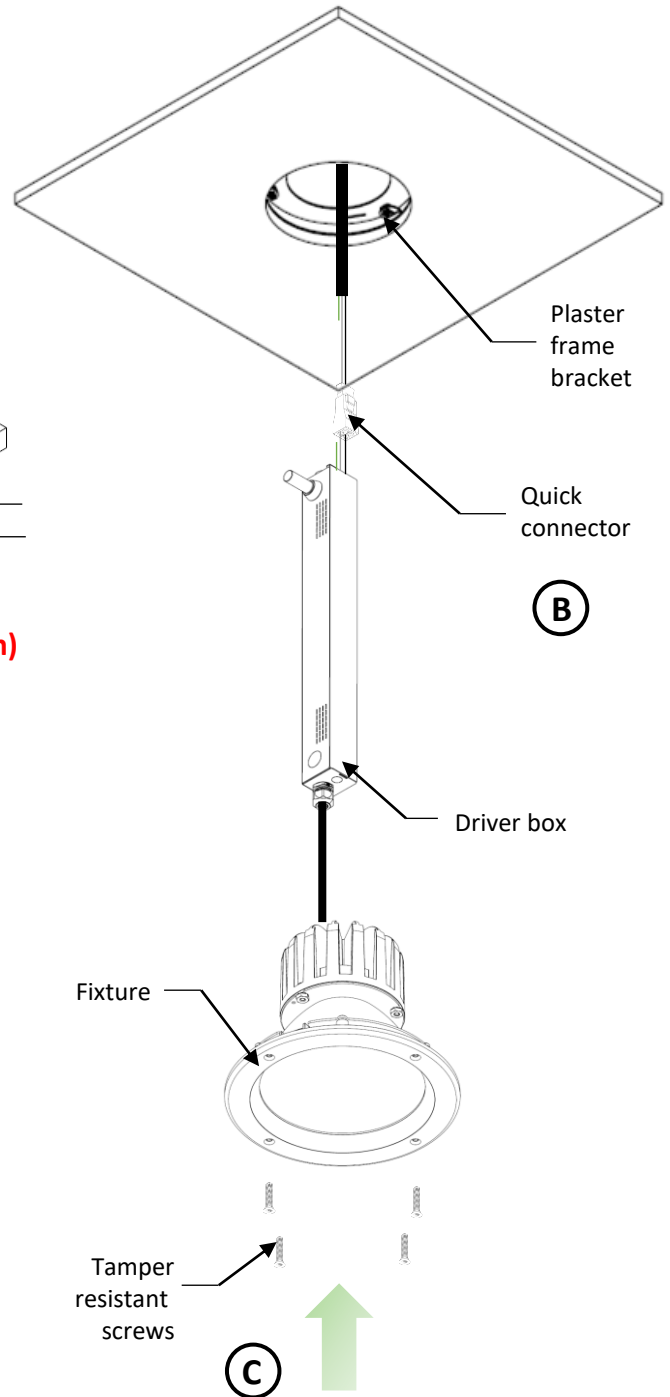
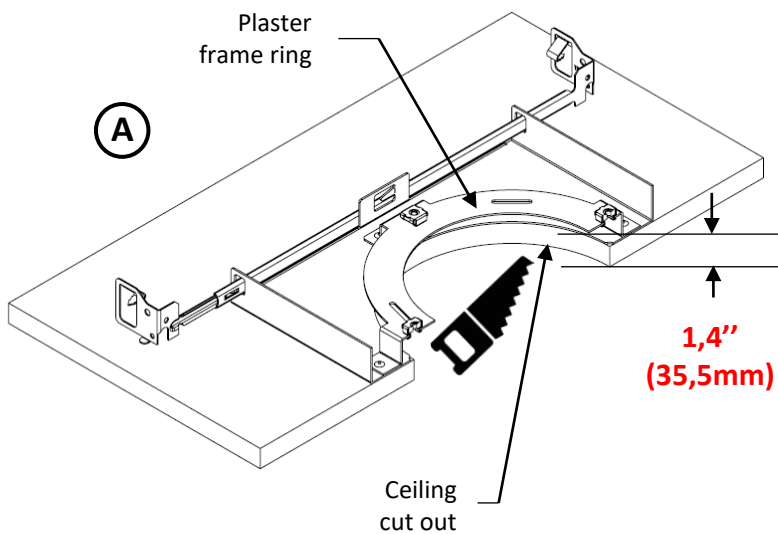
INFOS

**Fixture installation (0-10V or DALI or NO DIMMING / 120-277V or 347V)**

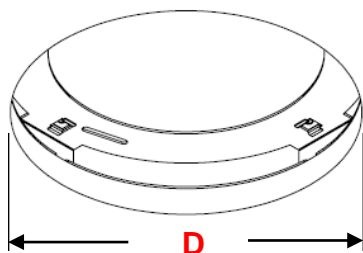
(Before installation, ensure power is disconnected. Cable must be connected in accordance to instruction and proper standing rules).

- A. Make hole in ceiling following the ceiling cut-out table.  
\*Make sure to not damage plaster frame ring.
- B. Feed ceiling wires in quick connector included. Make connections with junction box using the quick connector. Follow wiring diagrams on page 4-5.
- C. Push the driver box into ceiling and push the fixture into ceiling and secure it with 4x provided sealed tamper resistant screws. Use T15 screwdriver bit.

**\*Very important :**  
**If you use a saw do not exceed 1,4''(35,5mm) from ceiling, as it can damage the plaster frame.**



Models	Ceiling cut-out dimension (D)
MD4_MDS4_MDA4	5" (127mm)
MD6_MDS6_MDA6	7" (177.8mm)

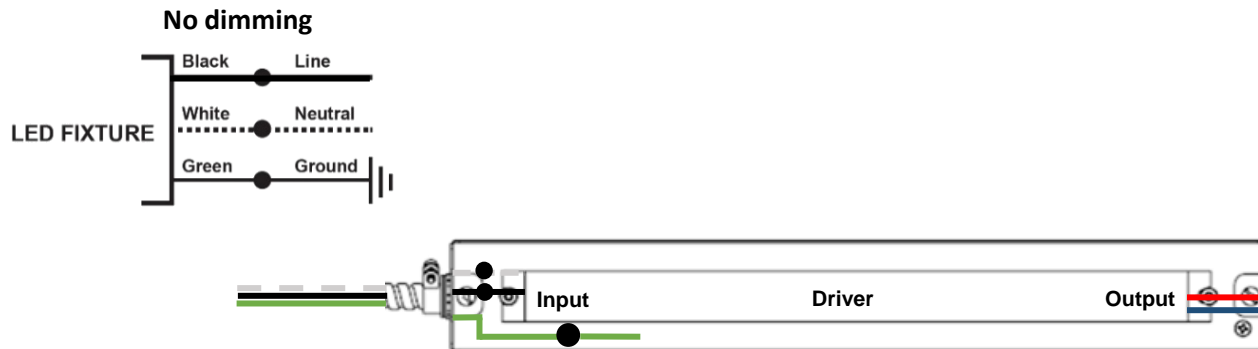


INFOS

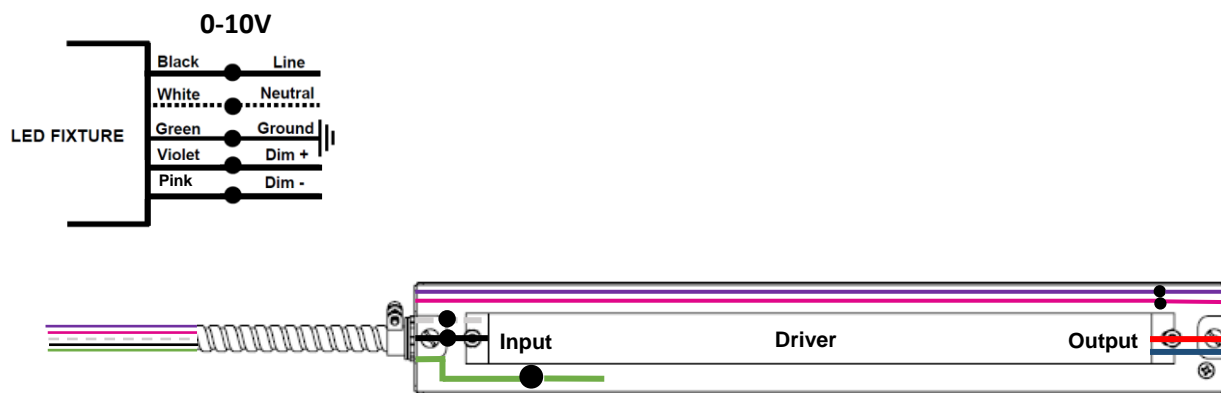
## Standard linear driver box connections (0-10V or DALI or NO DIMMING / 120-277V or 347V)

Provided with fixture. To be connected to ceiling bx cable by others.

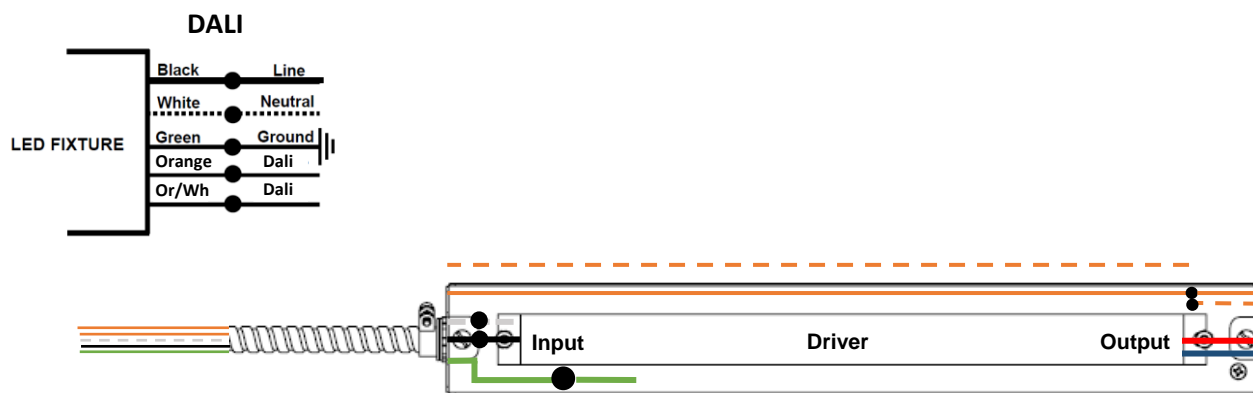
Linear driver box with non dimming connection.



Linear driver box with 0-10V dimming connection.



Linear driver box with Dali dimming connection.

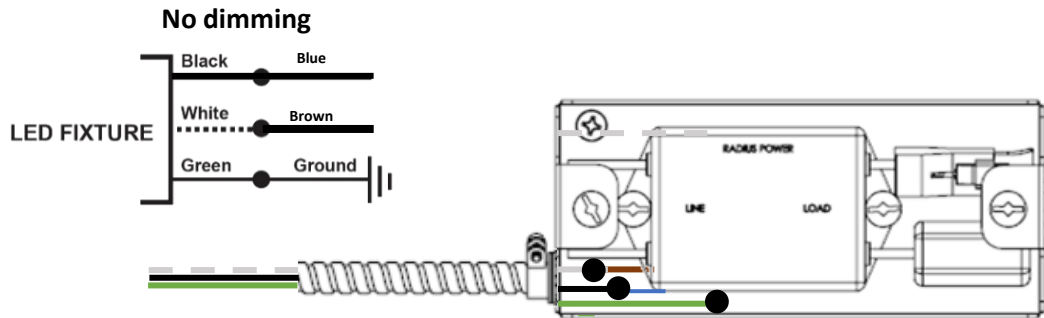


## INFOS

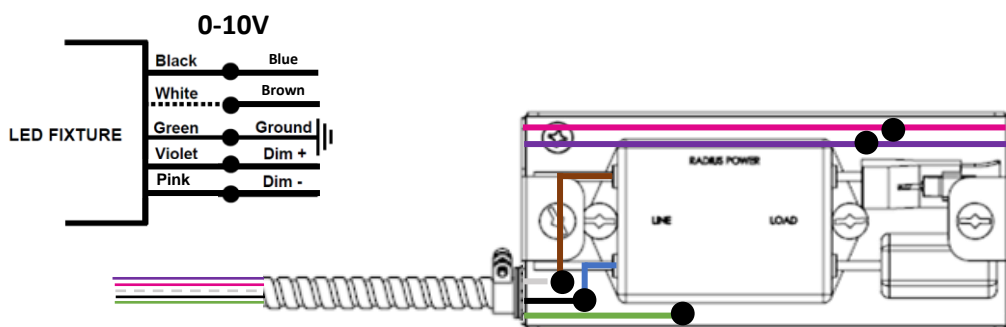
## Standard linear driver box connections with RFI filter (0-10V or DALI or NO DIMMING / 120-277V or 347V)

Provided with fixture. To be connected to ceiling bx cable by others.

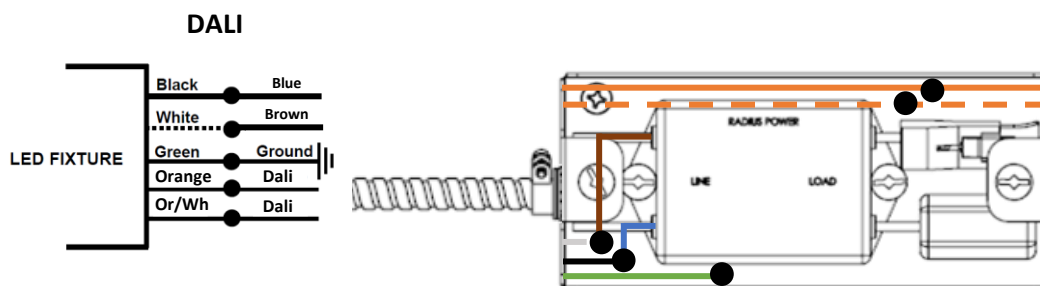
Linear driver box with non dimming connection.



Linear driver box with 0-10V dimming connection.



Linear driver box with Dali dimming connection.



## INFOS

780 rue Salaberry, Laval, Canada, H7S 1H3

[info@pacolighting.com](mailto:info@pacolighting.com)

Pacolighting.com

© 2022 PACO Lighting

Tel: 450.668.9620

Fax: 450.668.9625

ÉCLAIRAGES

**PACO**  
LIGHTING