

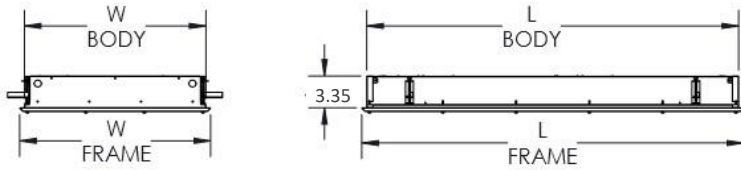
PROJECT:

NOTES:

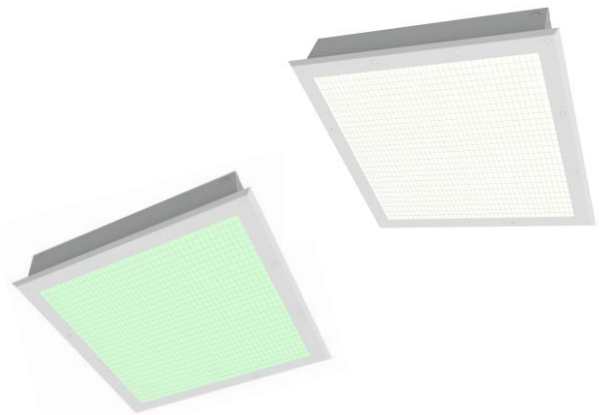
ORDERING INFORMATION:

EXAMPLE PRCLS - 24 - F - W120G35 - 9 - 40 - SA - MV - 2C - EM - ND
SERIES NOM. LENGTH MOUNTING LUMENS CRI KELVINS OPTICS VOLTAGE CIRCUITS OPTIONS DRIVER

SHOP DRAWINGS



PRCL-S	BODY		FRAME	
	W	L	W	L
2x4	22.83	46.75	24.00	48.00
2x2	22.83	22.75	24.00	24.00
1x4	10.83	10.75	12.00	48.00



ORDERING INFORMATION

SERIES

PRCLS	MIL-STD 461G compliant
PRCLO	No EMI/RFI filters and grid

KELVIN

30	3000K
35	3500K
40	4000K
50	5000K

NOMINAL LENGTH

14	12"x 48"
22	24"x 24"
24	24"x 48"

OPTICS

SY	Symmetric
SA	Symmetric/Asymmetric
AS	Asymmetric (1 circuit only)

MOUNTING

T	Grid (t-bar)
F	Flange (plaster)

VOLTAGE

MV	120-277V
347	347V

LUMENS

1x4	
W40	4,000 lm white only
W70	7,000 lm white only
W100	10,000 lm white only
W40G15	4,000 lm white, 1500 lm green
2x2	
W40	4,000 lm white only
W70	7,000 lm white only
W100	10,000 lm white only
W40G15	4,000 lm white, 1500 lm green
W70G15	7,000 lm white, 1500 lm green
2x4	
W70	7,000 lm white only
W120	12,000 lm white only
W220	22,000 lm white only
W70G35	7,000 lm white, 3500 lm green
W120G35	12,000 lm white, 3500 lm green
W160G35	16,000 lm white, 3500 lm green

CIRCUITS

BLANK	1 Circuit
2C	2 Circuits

OPTIONS

AM	Antimicrobial Paint
EM	Emergency Power Pack
SD	Stainless Steel 304 Door (polished)
SH	White Stainless Steel Housing
SDH	Stainless Steel 304 Door and Painted White Stainless Steel Housing
FU	Fuse and Holder
AD	Aluminum door
ADH	Aluminum door and housing

DRIVER

ND	Non-dimming applications
D	0-10V dimming
D1	0-10V dimming 1%
DA	DALI driver

CRI

BLANK	80 CRI
9	90 CRI

FEATURES

- > Recessed luminaire designed for surgical suites / operating rooms.
- > One-piece 18 gauge C.R.S. seamless external frame
- > Fully gasketed border between internal and external frames
- > Outer edge of frame is gasketed and fits snugly against the ceiling
- > NSF Certified for Splash Zone Installations
- > Minimum 80 CRI; color range 3000K - 5000K available
- > Multiple dimming protocols available
- > Various light distributions available
- > IP66 for recessed applications*
- > FED-STD-209E/Class 100 (ISO5) suitable
- > Compliant with MIL-STD 461G for PRCLS (conducted and radiated emissions)

* Faceplate is sealed with multiple gaskets and luminaire is IP66 certified as providing protection against dust and water entering the luminaire through the faceplate in a recessed application. Note that the housing (which is designed to be recessed into ceiling and is not visible once installed) does not provide ingress protection against dust and water entering the luminaire from the plenum.

APPLICATIONS

- > Operating Rooms
- > Surgical Suites
- > Hospitals
- > Private Clinics

*Other lumen packages available

LED

FIXTURE PERFORMANCE DATA

SPECIFICATIONS

Housing/Reflector – Precision die-formed 20-gauge C.R.S., one piece, seam-welded construction. 18-gauge housing flange with mitered and welded corners

External Frame – 18-gauge C.R.S. seamless external frame with welded corners secured to housing with 8 pressure screws

Shielding – Acrylic lens with RF grid filter.

Finish – Baked white enamel powder finish applied post production on all surfaces for smooth edges and safe handling. Optional anti-bacterial paint available.

Electrical – High quality mid-power LED boards. L85 >50,000 hours

Mounting – Recessed (plaster or T-Bar ceiling). We strongly recommend to add wire hangers on each earthquake clips/brackets to secure the luminaire (see fixture details)

Listings –

- UL certified
- IP66
- NSF certified for splash zone installations.

Warranty – 5-year limited warranty

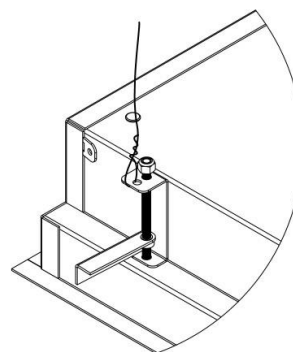
LED PACKAGE	DELIVERED LUMENS	WATTAGE	EFFICACY (lm/W)
12" x 48"			
W40	4,061	37	110
W70	6,990	63	111
W100	10,054	93	108
24" x 24"			
W40	4,020	37	108
W70	7,034	62	113
W100	9,977	92	108
24" x 48"			
W70	7,063	56	126
W120	11,926	102	117
W220	22,032	202	109

*Results based on 4000K, 80 CRI, Symmetric / Asymmetric

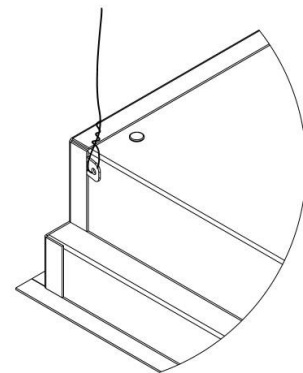
MULTIPLIER TABLE	
COLOR TEMPERATURE	
CCT/CRI	CONVERSION FACTOR
3000K / 80 CRI	0.95
3500K / 80 CRI	0.97
4000K / 80 CRI	1
5000K / 80 CRI	1.03
Green	0.7

FIXTURE DETAILS

Hanging brackets to secure housing to structure (wires not supplied by PA-CO)



Plaster ceiling / Flange



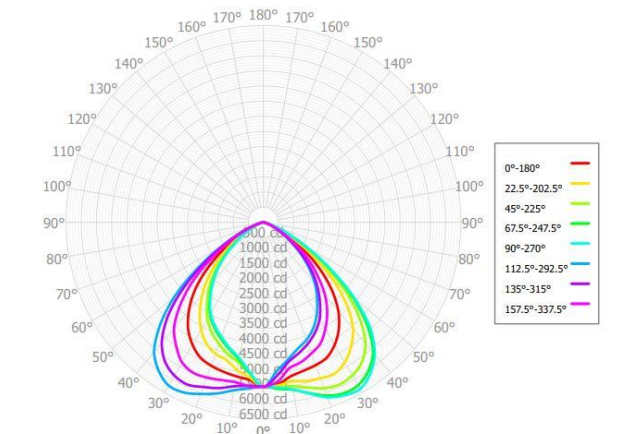
T-Bar

PHOTOMETRY

PRCLS-24-T-W120-40 (SYMMETRIC / ASYMMETRIC)

Candela Distribution

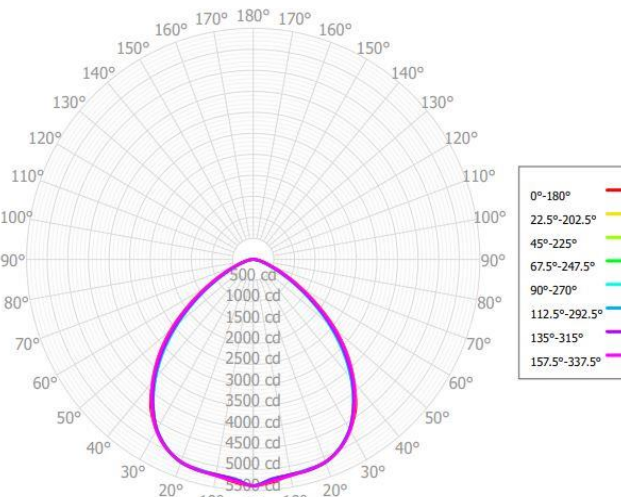
	0.00°	22.50°	45.00°	67.50°	90.00°	112.50°	135.00°	157.50°	180.00°	202.50°	225.00°	247.50°	270.00°	292.50°	315.00°	337.50°	360.00°
0.00°	5437.06	5437.06	5437.06	5437.06	5437.06	5437.06	5437.06	5437.06	5437.06	5437.06	5437.06	5437.06	5437.06	5437.06	5437.06	5437.06	5437.06
5.00°	5375.69	5415.54	5460.52	5531.25	5491.89	5518.10	5420.78	5452.93	5233.96	5154.53	5019.87	5024.52	4988.04	4942.89	5098.48	5288.17	5375.69
10.00°	5172.01	5338.74	5502.35	5624.50	5609.12	5641.01	5505.88	5367.22	5170.92	4962.11	4702.42	4613.94	4559.50	4613.36	4695.72	4901.22	5172.01
15.00°	5083.53	5432.59	5656.55	5849.63	5864.24	5857.35	5676.24	5400.57	5113.43	4714.54	4322.14	4347.78	4298.55	4334.25	4483.74	4786.04	5083.53
20.00°	5027.20	5487.46	5839.31	6095.47	6159.82	6040.58	5796.00	5460.58	5043.96	4627.01	4281.36	4092.40	4029.40	4138.92	4473.61	4616.13	5027.20
30.00°	4935.72	5527.93	5920.73	6241.15	6313.58	6208.92	5920.18	5486.54	4927.56	4434.36	4028.68	3811.90	3778.83	3875.10	4019.75	4428.16	4935.72
35.00°	4685.61	5390.36	5849.82	6226.50	6364.87	6235.17	5856.20	5353.38	4672.25	4098.23	3691.90	3521.11	3473.45	3511.31	3699.23	4074.43	4685.61
35.00°	4323.45	5030.33	5650.24	6016.22	6127.75	6006.60	5641.10	5004.99	4322.40	3652.44	3232.68	3075.50	3047.37	3073.33	3241.81	3656.85	4323.45
40.00°	3838.14	4592.10	5226.47	5616.09	5704.36	5603.01	5209.94	4581.63	3820.92	3134.79	2761.58	2610.63	2578.44	2625.77	2754.80	3158.36	3838.14
45.00°	3197.22	3900.19	4468.51	4844.02	4993.70	4819.62	4487.19	3878.70	3208.48	2559.66	2213.92	2099.71	2087.73	2102.91	2224.36	2537.38	3197.22
50.00°	2445.74	3031.73	3524.76	3820.03	3918.98	3821.45	3510.87	3041.57	2448.46	1920.29	1646.90	1551.87	1555.50	1559.50	1655.03	1943.48	2445.74
55.00°	1689.42	2101.74	2438.28	2637.21	2693.43	2631.56	2430.24	2098.89	1685.20	1325.78	1117.03	1053.00	1034.02	1051.28	1116.15	1310.28	1689.42
60.00°	1028.49	1275.50	1483.91	1592.39	1638.41	1591.39	1480.68	1281.52	1028.91	802.48	677.92	631.24	630.49	631.84	677.36	801.66	1028.49
65.00°	565.23	707.94	809.33	868.17	893.63	863.21	808.77	691.75	560.17	432.46	363.61	342.28	341.90	343.74	362.40	439.65	565.23
70.00°	274.83	333.97	384.97	417.82	431.15	418.68	388.89	336.72	274.50	210.34	176.59	165.37	163.38	165.02	178.13	209.61	274.83
75.00°	104.83	130.13	150.83	163.25	165.18	161.86	146.38	127.13	104.89	82.99	70.80	63.04	65.56	62.32	70.55	80.57	104.83
80.00°	23.32	29.79	36.30	39.17	39.30	38.27	35.18	30.21	23.11	18.88	17.72	17.99	17.68	16.96	17.76	20.87	23.32
85.00°	6.40	7.03	8.12	9.66	11.05	9.19	8.61	7.03	6.85	5.93	6.70	7.59	9.05	7.62	6.88	5.41	6.40
90.00°	7.73	8.73	8.42	6.55	7.19	8.18	7.88	7.43	7.58	5.49	5.92	8.20	8.38	8.29	7.14	5.58	7.73



PRCLS-24-T-W120-40 (SYMMETRIC)

Candela Distribution

	0.00°	22.50°	45.00°	67.50°	90.00°
0.00°	5387.19	5387.19	5387.19	5387.19	5387.19
5.00°	5318.78	5292.23	5255.12	5242.60	5259.01
10.00°	5214.77	5228.22	5200.09	5205.09	5222.72
15.00°	5185.80	5186.19	5198.80	5171.46	5175.45
20.00°	5131.26	5124.52	5132.04	5140.39	5128.89
25.00°	4972.01	4974.48	4965.35	4956.73	4959.02
30.00°	4694.01	4702.30	4680.21	4672.72	4680.29
35.00°	4333.14	4289.89	4246.65	4245.32	4236.45
40.00°	3801.17	3797.58	3748.36	3702.87	3695.21
45.00°	3243.17	3215.74	3154.39	3102.47	3067.00
50.00°	2611.24	2576.99	2497.75	2425.51	2404.55
55.00°	1918.58	1878.97	1806.31	1751.65	1723.94
60.00°	1299.53	1258.79	1198.09	1154.69	1144.73
65.00°	805.02	784.94	737.82	707.93	697.41
70.00°	457.53	445.05	418.68	400.31	397.54
75.00°	257.47	249.22	241.37	229.97	226.59
80.00°	138.01	138.80	135.58	130.09	131.05
85.00°	57.41	55.88	54.47	51.97	53.11
90.00°	12.12	11.35	11.61	11.92	11.85



PRCLS-24-T-W120-40 (ASYMMETRIC)

Candela Distribution

	0.00°	22.50°	45.00°	67.50°	90.00°	112.50°	135.00°	157.50°	180.00°	202.50°	225.00°	247.50°	270.00°	292.50°	315.00°	337.50°	360.00°
0.00°	4017.81	4017.81	4017.81	4017.81	4017.81	4017.81	4017.81	4017.81	4017.81	4017.81	4017.81	4017.81	4017.81	4017.81	4017.81	4017.81	4017.81
5.00°	3865.67	4133.55	4280.37	4397.15	4445.21	4354.90	4329.22	4061.58	3896.66	3738.02	3613.43	3493.30	3492.75	3493.36	3573.37	3724.54	3865.67
10.00°	3764.42	4233.89	4598.36	4847.54	4977.05	4903.51	4615.29	4209.34	3774.60	3490.55	3306.91	3209.01	3196.70	3268.20	3313.84	3473.65	3764.42
15.00°	3763.81	4457.71	5073.25	5527.31	5758.97	5529.45	5092.12	4440.65	3778.83	3329.59	3121.88	3040.07	3029.35	3038.71	3141.99	3324.42	3763.81
20.00°	3809.73	4685.50	5587.90	6244.97	6444.45	6199.86	5563.36	4733.48	3777.13	3197.75	2978.13	2893.72	2865.51	2910.98	2966.07	3202.09	3809.73
25.00°	3768.89	4899.11	6009.24	6749.54	7035.62	6776.10	5989.50	4845.23	3770.64	3062.16	2777.93	2733.80	2718.58	2729.11	2767.71	3037.67	3768.89
30.00°	3672.02	4994.18	6266.14	7048.25	7325.17	7063.04	6266.58	4983.52	3667.47	2829.71	2563.16	2523.86	2531.60	2539.47	2561.83	2849.46	3672.02
35.00°	3453.66	4923.02	6286.44	7058.93	7278.55	7029.03	6270.88	4944.43	3469.88	2945.40	2274.12	2258.83	2276.41	2266.53	2286.03	2569.44	3453.66
40.00°	3182.87	4664.25	6005.90	6764.02	6984.87	6765.27	5977.21	4658.18	3175.08	2266.42	2006.52	2006.06	2028.75	2003.32	1990.76	2261.22	3182.87
45.00°	2816.26	4251.23	5437.00	6124.37	6326.77	6127.02	5453.68	4208.63	2808.32	1930.44	1719.23	1720.86	1756.97	1731.22	1698.69	1922.39	2816.26
50.00°	2320.47	3552.02	4588.16	5200.90	5373.90	5176.84	4596.22	3537.47	2303.49	1567.02	1378.50	1403.65	1434.03	1398.19	1386.25	1580.35	2320.47
55.00°	1761.21	2707.26	3501.69	3926.98	4072.53	3955.44	3480.61	2701.78	1747.13	1167.72	1036.70	1062.01	1062.79	1054.20	1031.60	1167.89	1761.21
60.00°	1183.38	1847.02	2388.91	2677.81	2760.77	2675.77	2403.21	1828.39	1190.79	804.23	709.79	714.95	706.74	714.06	707.07	806.87	1183.38
65.00°	749.15	1162.25	1498.54	1685.18	1745.63	1684.26	1496.18	1153.11	751.75	507.39	449.60	454.82	468.88	457.68	462.58	505.89	749.15
70.00°	434.45	651.84	836.53	934.91	955.39	922.04	841.00	660.64	442.14	305.41	269.34	270.52	267.81	267.33	271.38	300.00	434.45
75.00°	240.74	346.44	429.00	468.02	474.08	467.67	426.59	349.36	244.92	179.61	154.87	154.34	153.31	154.05	155.21	176.03	240.74
80.00°	128.77	168.79	201.85	219.83	220.76	218.58	202.19	169.64	132.75	100.15	86.87	84.24	82.39	84.62	88.91	101.12	128.77
85.00°	50.40	57.93	64.16	67.00	69.24	71.20	66.90	58.44	51.64	40.25	38.58	39.33	40.18	38.04	39.50	43.33	50.40
90.00°	12.92	11.47	7.44	4.68	4.10	3.79	7.19	11.32	12.77	11.02	13.95	12.25	13.44	13.80	13.38	11.46	12.92

