

PROJECT:

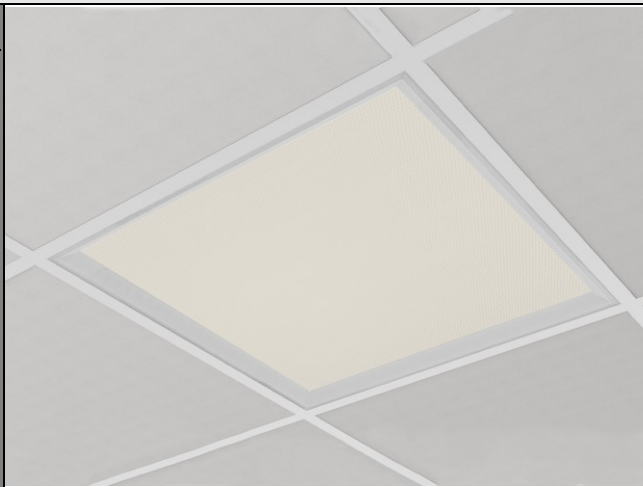
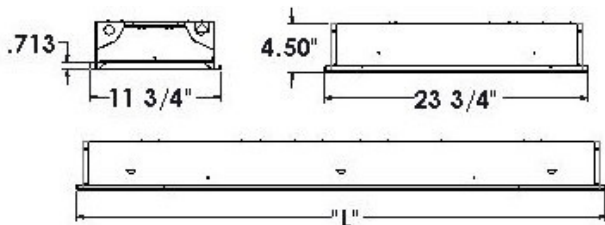
NOTES:

ORDERING INFORMATION:

**EXAMPLE** → SRLB - 22 - T - 30 - 9 - 35 - MV - EM - BK - D1  
 SERIES      NOM. LENGTH      MOUNTING      LUMENS      CRI      KELVINS      VOLTAGE      OPTIONS      FINISHES      DRIVER

SHOP DRAWINGS

	L
SRL-B-14	47 3/4"
SRL-B-22	23 3/4"
SRL-B-24	47 3/4"



ORDERING INFORMATION

**SERIES**  
SRLB

**NOMINAL LENGTH**  
 14      12"x 48"  
 22      24"x 24"  
 24      24"x 48"  
 M      500 mm x 1500 mm\*

**MOUNTING**  
 T      T-Bar  
 FK      Flange Kit

**LUMENS**

Lumen Package*	Nom. Lumens	UGR
<b>12" x 48"</b>		
20	2,000	15
40	4,000	17
<b>24" x 24"</b>		
20	2,000	11
30	3,000	13
40	4,000	14
<b>24" x 48"</b>		
30	3,000	14
45	4,500	16
60	6,000	17
<b>M</b>		
30	3,000	14
45	4,500	16
60	6,000	17

\*Other lumen packages available

**CRI**  
 BLANK      80 CRI  
 9            90 CRI

**KELVIN**  
 27      2700K  
 35      3500K  
 35      3500K  
 40      4000K  
 50      5000K  
 TW      Tunable White

**VOLTAGE**  
 MV      120-277V  
 347      347V

**OPTIONS**  
 EM      Emergency Powerpack  
 AH      Air Handling

**FINISHES**  
 BLANK      Matte White  
 BK      Textured Matte Black  
 SI      Textured Matte Silver  
 C      Custom Finish (Specify RAL Color)

**DRIVERS**  
 ND      Non-dimming applications  
 D      0-10V dimming  
 D1      0-10V dimming to 1%  
 DA      DALI driver

FEATURES

- > Premium architectural LED recessed luminaire with regressed lens
- > Diffused prismatic low glare lens for comfortable illumination
- > Wide selection of LED packages available
- > Minimum 80 CRI; color range 3000K - 5000K available
- > Tunable White option available
- > Multiple dimming protocols available
- > UGR <17

APPLICATIONS

- > Offices
- > Schools
- > Retail Stores
- > Commercial Applications
- > Hospitals
- > Atriums

**FIXTURE PERFORMANCE DATA**

**SPECIFICATIONS**

**Housing** – Precision die-formed 20-gauge C.R.S housing and frame.

**Finish** – Baked enamel powder finish applied post production on all surfaces for smooth edges and safe handling.

**Electrical** – High quality mid-power LED boards. L70 >72,000 hours reported / 129,200 hours calculated at maximum allowable output current. L85 >50,000 hours.

**Mounting** – Recessed

**Listings** –

■ cUL certified as luminaire suitable for dry or damp locations.

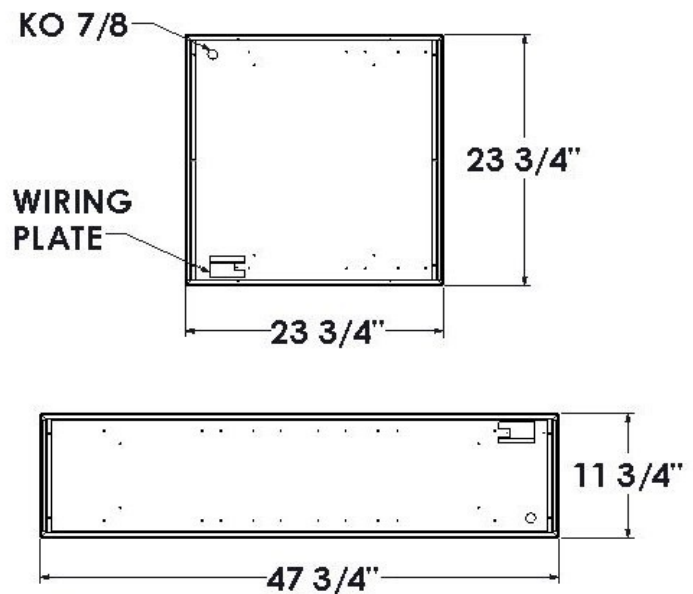
**Warranty** – 5-year limited warranty

LED PACKAGE	DELIVERED LUMENS	WATTAGE	EFFICACY (lm/W)
12" x 48"			
20	2,037	16	127
40	4,122	36	114
24" x 24"			
20	2,053	18	114
30	3,065	27	113
40	3,925	36	109
24" x 48"			
30	2,956	22	134
45	4,494	35	128
60	5,985	48	124

\*Results based on 4000K, 80 CRI

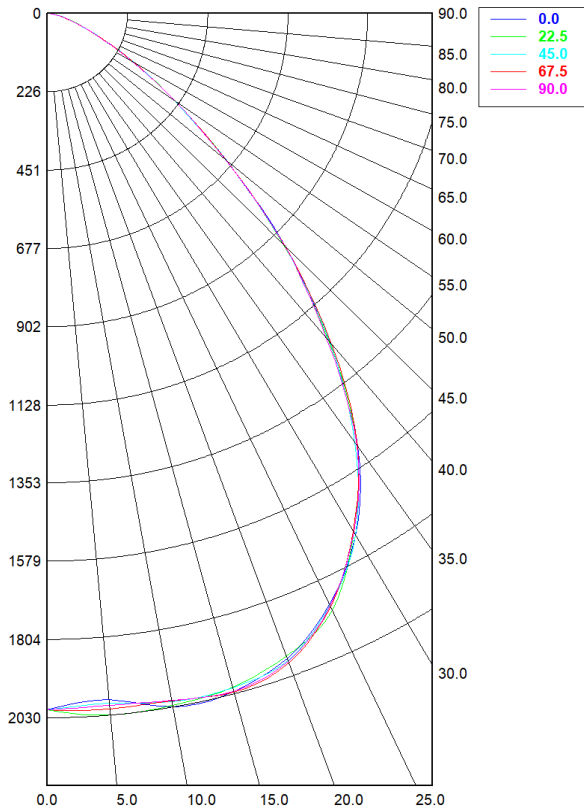
MULTIPLIER TABLE	
COLOR TEMPERATURE	
CCT/CRI	CONVERSION FACTOR
3000K / 80 CRI	0.95
3500K / 80 CRI	0.97
4000K / 80 CRI	1
5000K / 80 CRI	1.03

**FIXTURE DETAILS**



PHOTOMETRY

SRLB-22-T-40-40-MV Total Luminaire Output: 3,925 lumens; 36 Watts



Candela Distribution

	0.00°	22.50°	45.00°	67.50°	90.00°
0.00°	2006.88	2006.88	2006.88	2006.88	2006.88
5.00°	1985.89	2029.72	1995.71	2012.58	2001.77
10.00°	2029.86	2025.07	2014.24	2011.81	2010.63
15.00°	2023.24	2010.53	2011.85	2025.07	2022.55
20.00°	1976.82	1969.76	1982.37	1989.78	1984.77
25.00°	1880.77	1899.08	1883.40	1887.63	1885.44
30.00°	1737.15	1726.76	1737.05	1723.92	1727.36
35.00°	1524.05	1520.98	1509.26	1522.97	1519.25
40.00°	1240.56	1237.69	1242.33	1249.90	1227.66
45.00°	941.88	934.25	938.04	941.83	939.13
50.00°	651.96	653.78	651.52	655.72	650.39
55.00°	436.89	437.18	433.97	437.03	436.79
60.00°	276.53	277.51	281.39	277.69	273.08
65.00°	162.19	164.23	164.60	165.68	162.85
70.00°	94.33	94.52	91.88	92.90	93.43
75.00°	53.90	53.14	51.70	50.24	49.81
80.00°	24.12	24.95	24.69	23.91	23.79
85.00°	11.09	9.45	9.83	8.49	8.13
90.00°	1.55	1.66	1.93	1.36	1.80

Spacing Criterion:

Two luminaires, plane 0°	1.25
Two luminaires, plane 90°	1.24
Four luminaires	1.23

UGR CIE 190:2010

Ceiling reflectance	0.7	0.7	0.5	0.5	0.3	0.7	0.7	0.5	0.5	0.3	
Wall reflectance	0.5	0.3	0.5	0.3	0.3	0.5	0.3	0.5	0.3	0.3	
Plane reflectance	0.2	0.2	0.2	0.2	0.2	0.2	0.2	0.2	0.2	0.2	
Room dimensions	Viewed crosswise					Viewed endwise					
2H	2H	11.4	12.7	11.7	13.0	13.3	11.3	12.7	11.7	13.0	13.3
	3H	11.8	13.0	12.2	13.3	13.7	11.8	13.0	12.1	13.3	13.7
	4H	11.9	13.0	12.3	13.3	13.7	11.8	12.9	12.2	13.3	13.7
	6H	11.9	12.9	12.3	13.2	13.6	11.8	12.8	12.2	13.2	13.6
	8H	11.8	12.8	12.3	13.2	13.6	11.8	12.8	12.2	13.2	13.6
	12H	11.8	12.7	12.2	13.1	13.5	11.8	12.7	12.2	13.1	13.5
4H	2H	11.5	12.6	11.9	12.9	13.3	11.5	12.6	11.9	12.9	13.3
	3H	12.0	12.9	12.4	13.3	13.7	12.0	12.9	12.4	13.3	13.7
	4H	12.1	12.9	12.5	13.3	13.8	12.1	12.9	12.5	13.3	13.7
	6H	12.1	12.8	12.6	13.3	13.7	12.1	12.8	12.5	13.2	13.7
	8H	12.1	12.7	12.6	13.2	13.7	12.0	12.7	12.5	13.1	13.6
	12H	12.1	12.6	12.6	13.1	13.6	12.0	12.6	12.5	13.1	13.6
8H	4H	12.0	12.7	12.5	13.1	13.6	12.0	12.7	12.5	13.1	13.6
	6H	12.1	12.6	12.6	13.1	13.6	12.0	12.6	12.5	13.1	13.5
	8H	12.1	12.5	12.6	13.1	13.5	12.0	12.5	12.5	13.0	13.5
	12H	12.0	12.5	12.6	13.0	13.5	12.0	12.4	12.5	12.9	13.5
12H	4H	12.0	12.6	12.5	13.1	13.5	12.0	12.5	12.5	13.0	13.5
	6H	12.0	12.5	12.6	13.0	13.5	12.0	12.5	12.5	12.9	13.5
	8H	12.0	12.5	12.5	13.0	13.5	12.0	12.4	12.5	12.9	13.5

Corrected UGR values based on total output energy  
SHR = 1.0