

PROJECT:

NOTES:

ORDERING INFORMATION:

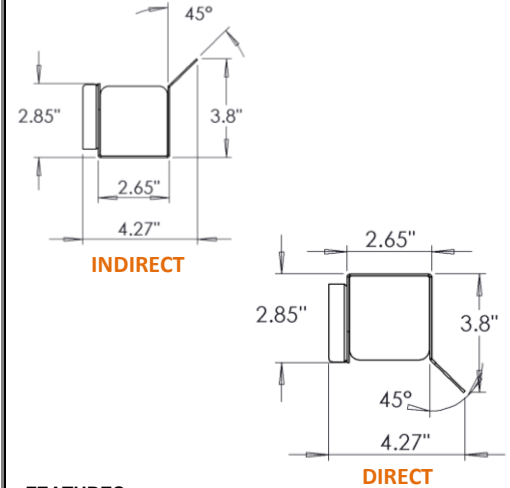
EXAMPLE

RAPP-W-ASY45 - 8F - 30 - 9 - 35 - IN - B - 347 - SF - CLE1 - DM

SERIES NOM. LENGTH LUMENS CRI KELVINS DIRECTION FINISH VOLTAGE OPTIONS CONTROLS DRIVER



SHOP DRAWINGS



ORDERING INFORMATION

SERIES

RAPP-W-ASY45

NOMINAL LENGTH

2F	24"
4F	48"
6F	72"
8F	91"

LUMENS\*

30	300 Lumens Per Foot
50	500 Lumens Per Foot
75	750 Lumens Per Foot
100	1000 Lumens Per Foot

\*Other lumen packages available

CRI

BLANK	80 CRI
9	90 CRI

KELVIN

27	2700K
30	3000K
35	3500K
40	4000K
50	5000K
TW	Tunable White

DIRECTION

BLANK	Direct
IN	Indirect

FINISH

B	Matte Textured Black
W	Matte Textured White
G	Matte Textured Grey*
WS	Matte Smooth White*
C	Custom Finish (Specify RAL Color)*
P#	JG Plating Color Number (see page 3)*

\*Setup charge might be applicable for low quantities

VOLTAGE

BLANK	120-277V
347	347V

OPTIONS

EM	Emergency Power Pack*
SF	Cabtyre coming out from endcaps**

\*Available only in 120V  
\*\*Confirm which side (left or right) the color and size of the cabtyre

CONTROLS\*

BLANK None  
Click on the following link for control options:  
<https://bit.ly/2C5lXqa>  
\*Confirm compatible models with factory

DRIVER

BLANK Non-dimming applications  
DM 0-10V dimming  
DA DALI driver  
Click on the following link for special driver options:  
<https://bit.ly/2Fqz6qU>

FEATURES

- > Architectural specification grade linear luminaire with rounded corners and asymmetric distribution
- > Matte powder coated finish applied post-production to ensure smooth edges and modern look
- > Wide selection of LED packages
- > Minimum 80 CRI; color range 2700K - 5000K available
- > Tunable White option available
- > Multiple dimming protocols available
- > 100% made in Canada

APPLICATIONS

- > Restaurants
- > Schools
- > Commercial
- > Retail
- > Libraries
- > Offices

LED

FIXTURE PERFORMANCE DATA

**SPECIFICATIONS**

**Outer envelope** – Precision die-formed 16-gauge C.R.S.

**Internal Luminaire Housing** – Precision die-formed 20-gauge C.R.S and 18-gauge end caps.

**Shielding** – White opal snap-in lens

**Finish** – Baked textured matte enamel powder finish applied post production on all surfaces for smooth edges and safe handling.

**Electrical** – High quality mid-power LED boards. L70 >72,000 hours reported / 129,200 hours calculated at maximum allowable output current. L85 >50,000 hours.

**Mounting** – Wall mount

**Listings** –

- cUL certified as luminaire suitable for dry or damp locations.

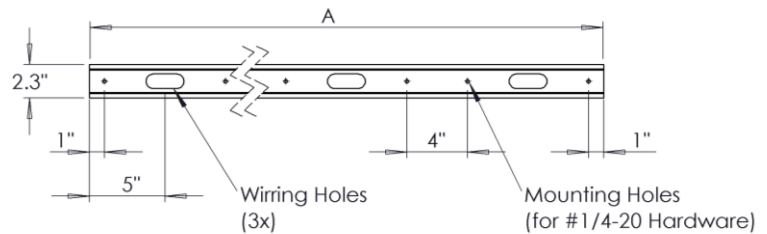
**Warranty** – 5-year limited warranty

LED PACKAGE	DELIVERED LUMENS	WATTAGE	EFFICACY (lm/W)
RAPP-W-ASY45-4F-White			
300 lm per ft			
500 lm per ft			
750 lm per ft			
1000 lm per ft			
RAPP-W-ASY45-4F-Black			
300 lm per ft	1,360	12	113
500 lm per ft	1,945	19	102
750 lm per ft	3,082	33	93
1000 lm per ft	3,942	44	90

\*Based on 4000K and 80 CRI

MULTIPLIER TABLE	
COLOR TEMPERATURE	
CCT/CRI	CONVERSION FACTOR
3000K / 80 CRI	0.95
3500K / 80 CRI	0.97
4000K / 80 CRI	1
5000K / 80 CRI	1.03

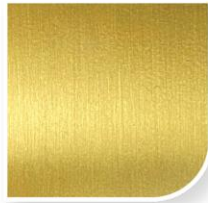
**FIXTURE DETAILS**



RAPP-W	A
2'	17"
4'	34"
6'	51"
8'	64"

## RAPP - Plating Color Number

P1



Satin  
Brass

P2



Old Corsica  
Brass

P3



Dull  
Champagne

P4



Vintage  
Copper

P5



Copper  
Penny

P6



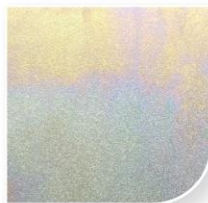
Dull  
Argento

P7



Satin  
Nickel

P8



HP Clear  
Zinc

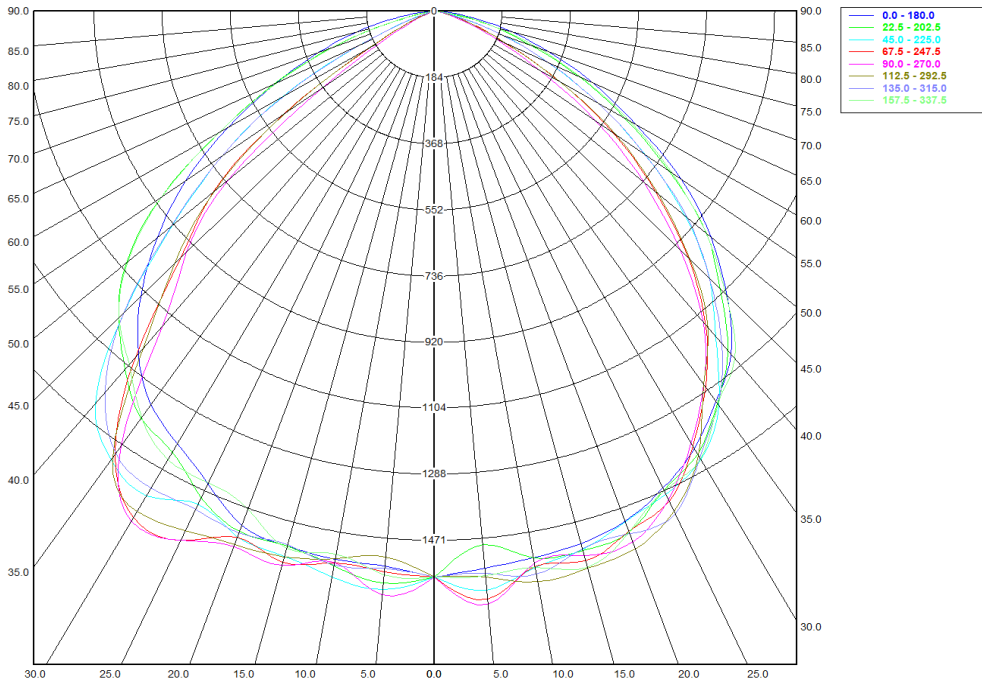
P9



Satin Smoke  
Chrome

PHOTOMETRY

RAPP-W-ASY45-4F-100-40-W



Zonal Lumen Summary

Zone	Lumens	% Fixture
0.00° - 10.00°	159.36	3.98%
10.00° - 20.00°	441.12	11.01%
20.00° - 30.00°	697.47	17.40%
30.00° - 40.00°	854.63	21.33%
40.00° - 50.00°	821.23	20.49%
50.00° - 60.00°	604.54	15.09%
60.00° - 70.00°	307.34	7.67%
70.00° - 80.00°	104.23	2.60%
80.00° - 90.00°	16.69	0.42%
90.00° - 100.00°	0.78	0.02%
100.00° - 110.00°	0.07	0.00%
110.00° - 120.00°	0.02	0.00%
120.00° - 130.00°	0.01	0.00%
130.00° - 140.00°	0.01	0.00%
140.00° - 150.00°	0.01	0.00%
150.00° - 160.00°	0.01	0.00%
160.00° - 170.00°	0.00	0.00%
170.00° - 180.00°	0.00	0.00%
0.00° - 90.00°	4006.61	99.98%
90.00° - 180.00°	0.91	0.02%
0.00° - 180.00°	4007.52	100.00%

Spacing Criterion:

Two luminaires, plane 0°	1.31
Two luminaires, plane 90°	1.29
Four luminaires	1.41

Candela Distribution

	0.00°	22.50°	45.00°	67.50°	90.00°	112.50°	135.00°	157.50°	180.00°	202.50°	225.00°	247.50°	270.00°	292.50°	315.00°	337.50°	360.00°
0.00°	1573.07	1573.07	1573.07	1573.07	1573.07	1573.07	1573.07	1573.07	1573.07	1573.07	1573.07	1573.07	1573.07	1573.07	1573.07	1573.07	1573.07
5.00°	1555.06	1489.51	1615.73	1641.02	1655.36	1579.52	1569.30	1575.76	1549.55	1596.16	1614.64	1565.08	1629.68	1523.73	1555.76	1572.39	1555.06
10.00°	1544.07	1543.29	1571.14	1567.93	1558.76	1611.32	1590.27	1571.55	1547.92	1567.09	1597.87	1558.26	1557.16	1545.95	1564.25	1532.84	1544.07
15.00°	1533.12	1553.44	1550.25	1583.10	1567.57	1604.00	1548.18	1601.16	1540.98	1540.32	1569.17	1586.07	1596.11	1570.86	1536.51	1545.93	1533.12
20.00°	1509.90	1541.69	1511.26	1539.42	1571.03	1590.74	1546.71	1541.90	1522.62	1540.02	1555.94	1557.77	1584.85	1579.29	1543.57	1473.37	1509.90
25.00°	1463.82	1469.34	1482.09	1503.68	1498.27	1535.01	1542.68	1470.86	1448.48	1491.47	1512.54	1623.88	1624.15	1593.21	1528.63	1447.35	1463.82
30.00°	1405.75	1423.71	1440.72	1397.21	1388.62	1427.03	1435.01	1439.21	1389.87	1416.21	1555.96	1626.55	1637.79	1607.52	1532.02	1440.44	1405.75
35.00°	1326.46	1332.38	1340.18	1279.60	1269.05	1269.49	1337.19	1335.78	1335.33	1382.28	1523.01	1504.87	1476.88	1516.01	1501.83	1378.88	1326.46
40.00°	1248.67	1235.47	1185.00	1142.24	1131.89	1152.91	1208.79	1263.59	1244.46	1300.69	1425.65	1256.60	1144.13	1225.77	1384.60	1282.82	1248.67
45.00°	1119.30	1092.39	1051.96	973.63	942.16	979.96	1054.24	1116.14	1122.56	1206.31	1187.51	971.51	946.51	995.19	1189.49	1204.20	1119.30
50.00°	977.80	962.12	887.29	783.19	741.21	791.78	894.63	961.02	977.77	1086.93	922.12	781.01	724.86	773.54	929.50	1081.32	977.80
55.00°	817.48	778.49	699.71	597.08	540.09	604.88	699.91	785.26	820.76	901.54	701.51	497.25	362.58	490.85	701.24	900.64	817.48
60.00°	632.77	598.31	515.46	396.28	335.29	396.33	516.99	614.76	643.84	673.09	476.09	205.36	149.75	208.38	472.32	670.62	632.77
65.00°	478.64	440.51	350.42	228.07	192.33	230.63	353.98	443.72	473.72	479.00	232.05	85.67	65.39	88.61	226.74	471.63	478.64
70.00°	332.73	285.07	205.48	119.76	97.96	115.96	202.80	304.69	333.21	295.04	82.44	31.69	24.54	30.06	83.47	293.52	332.73
75.00°	213.70	171.23	89.02	55.36	48.54	57.91	84.36	176.48	215.70	135.79	28.52	9.26	6.00	8.81	26.65	137.79	213.70
80.00°	111.88	72.69	31.29	22.65	19.49	22.06	30.48	80.25	108.14	46.23	4.96	0.00	0.00	0.00	4.28	41.64	111.88
85.00°	40.59	19.75	8.41	9.09	8.15	8.50	8.01	20.34	41.44	7.93	0.31	0.00	0.00	0.00	0.26	7.26	40.59
90.00°	4.68	1.46	2.09	3.75	3.54	3.97	2.12	1.67	4.10	0.47	0.06	0.00	0.00	0.00	0.21	0.50	4.68