

PROJECT:

NOTES:

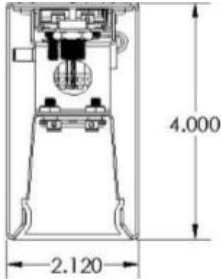
ORDERING INFORMATION:

EXAMPLE

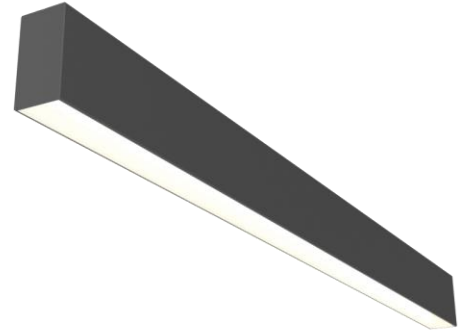
VS2 - 8F - 50 - 9 - 35 - 347 - W - EM - DA

SERIES      NOM. LENGTH      LUMENS      CRI      KELVINS      VOLTAGE      FINISH      OPTIONS      DRIVERS

SHOP DRAWING



VERSION	NOMINAL	LENGTH
VS2-2F	2 FEET	24 in
VS2-4F	4 FEET	48 in
VS2-6F	6 FEET	72 in
VS2-8F	8 FEET	96 in



ORDERING INFORMATION

**SERIES**

VS2

**FINISH**

B	Matte Textured Black
W	Matte Textured White
S	Matte Textured Silver
C	Custom Finish (Specify RAL Color)

**NOMINAL LENGTH**

(X)F Nominal Length in feet

**OPTIONS**

CP1	Occupancy/Daylight Sensor (Phillips SNS200)
CLE5	Occupancy Sensor (Leviton OSF10)
CW3	Passive Infrared Sensor (WattStopper FSP-211)
EM	Emergency Power Pack*

\*Available with section of 4ft and over for direct only version

**LUMENS\***

30	300 Lumens Per Foot
50	500 Lumens Per Foot
75	750 Lumens Per Foot
100	1000 Lumens Per Foot

\*Other lumen packages available

**DRIVERS**

BLANK	0-10V dimming
DA	DALI driver

Click on the following link for special driver options:

<https://bit.ly/2FqZ6gU>**CRI**

BLANK	80 CRI
9	90 CRI

**KELVIN**

27	2700K
30	3000K
35	3500K
40	4000K
50	5000K
TW	Tunable White

**VOLTAGE**

BLANK	120-277V
347	347V

FEATURES

- > 18 gauges C.R.S. linear fixture with unique fabrication concept made for continuous runs with simple and user-friendly joining systems
- > 2 inch-wide surface linear luminaire
- > Snap-in white frosted acrylic lens
- > Matte powder coated finish applied post-production to ensure smooth edges and modern look
- > Wide selection of LED packages
- > Minimum 80 CRI; color range 2700K - 5000K available
- > Tunable White option available
- > Multiple dimming protocols available
- > 100% made in Canada

APPLICATIONS

- > Schools
- > Corridors
- > Offices
- > Commercial Applications
- > Atriums
- > Restaurants
- > Libraries

## LED

## FIXTURE PERFORMANCE DATA

## SPECIFICATIONS

**Housing** – Precision die-formed 18-gauge C.R.S.

**Diffuser** – High efficiency white frosted acrylic snap-in lens

**Finish** – Baked enamel powder finish applied post production on all surfaces for smooth edges and safe handling

**Electrical** – High quality mid-power LED boards. L70 >72,000 hours reported / 129,200 hours calculated at maximum allowable output current. L85 >50,000 hours.

**Mounting** – Surface Mount

**Listings** –  
■ cUL certified as luminaire suitable for dry or damp locations.

**Warranty** – 5-year limited warranty

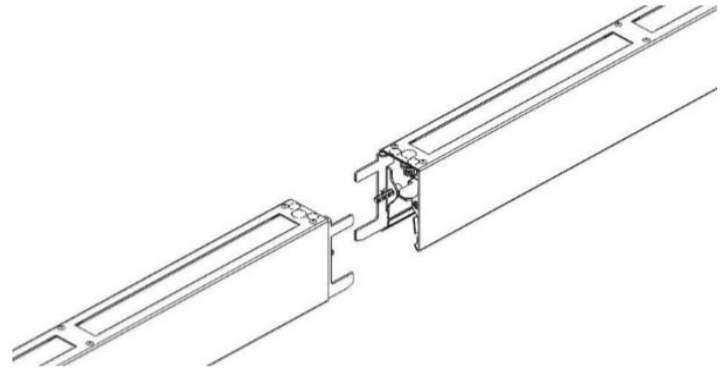
LED PACKAGE	DELIVERED LUMENS	WATTAGE	EFFICACY (lm/W)
Direct (4ft)			
1200	1,221	11	111
2000	2,022	18	112
3000	3,066	29	106
4000	4,059	40	101

\*Results based on smooth white frosted lens, 80 CRI, 4000K

MULTIPLIER TABLE	
COLOR TEMPERATURE	
CCT/CRI	CONVERSION FACTOR
2700K / 80 CRI	0.93
3000K / 80 CRI	0.95
3500K / 80 CRI	0.97
4000K / 80 CRI	1
5000K / 80 CRI	1.03

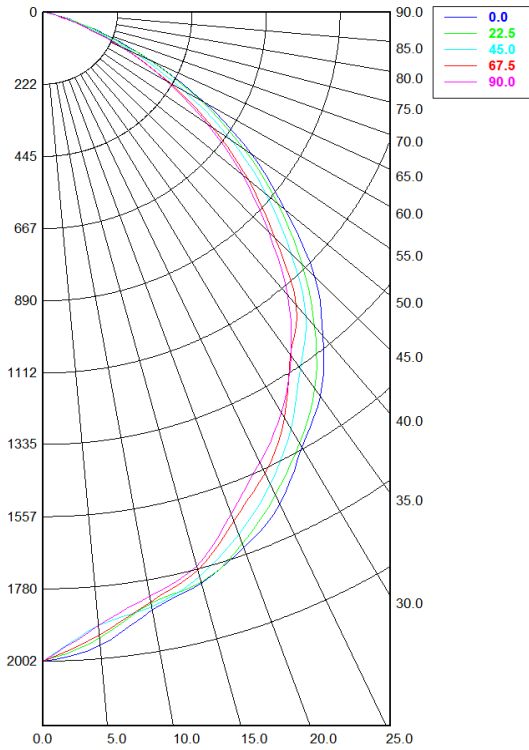
## Fixture Details

## JOINING SYSTEM



PHOTOMETRY

VS2-4F-40-40



**Candela Distribution**

	0.00°	22.50°	45.00°	67.50°	90.00°
<b>0.00°</b>	<b>2,002.27</b>	<b>2,002.27</b>	<b>2,002.27</b>	<b>2,002.27</b>	<b>2,002.27</b>
<b>5.00°</b>	1,961.18	1,938.09	1,900.53	1,928.98	1,900.97
<b>10.00°</b>	1,874.10	1,853.59	1,863.01	1,847.55	1,830.61
<b>15.00°</b>	1,825.04	1,822.63	1,803.25	1,782.56	1,770.76
<b>20.00°</b>	1,756.66	1,744.13	1,712.96	1,668.90	1,645.76
<b>25.00°</b>	1,677.69	1,645.05	1,608.46	1,570.13	1,532.95
<b>30.00°</b>	1,551.80	1,537.35	1,486.02	1,447.82	1,429.58
<b>35.00°</b>	1,448.74	1,419.85	1,344.31	1,293.94	1,294.74
<b>40.00°</b>	1,305.10	1,265.78	1,225.87	1,180.44	1,142.07
<b>45.00°</b>	1,150.68	1,096.89	1,051.97	980.49	953.81
<b>50.00°</b>	947.13	918.91	870.96	796.55	773.75
<b>55.00°</b>	758.91	728.98	682.64	617.46	598.23
<b>60.00°</b>	553.46	543.69	488.73	436.66	422.50
<b>65.00°</b>	353.02	346.80	300.12	267.85	264.27
<b>70.00°</b>	186.43	178.64	154.58	128.70	120.25
<b>75.00°</b>	60.87	58.00	46.13	35.85	34.77
<b>80.00°</b>	8.63	9.06	7.51	6.09	6.56
<b>85.00°</b>	0.67	0.86	1.51	2.02	2.00
<b>90.00°</b>	0.47	0.44	0.44	0.49	0.26

**Spacing Criterion:**

<b>Two luminaires, plane 0°</b>	1.15
<b>Two luminaires, plane 90°</b>	1.07
<b>Four luminaires</b>	1.24

**Zonal Lumen Summary**

Zone	Lumens	% Fixture
0.00° - 10.00°	192.16	4.73%
10.00° - 20.00°	503.82	12.41%
20.00° - 30.00°	736.56	18.15%
30.00° - 40.00°	846.64	20.86%
40.00° - 50.00°	801.72	19.75%
50.00° - 60.00°	600.98	14.81%
60.00° - 70.00°	307.68	7.58%
70.00° - 80.00°	66.51	1.64%
80.00° - 90.00°	2.94	0.07%
90.00° - 100.00°	0.12	0.00%
100.00° - 110.00°	0.00	0.00%
110.00° - 120.00°	0.00	0.00%
120.00° - 130.00°	0.00	0.00%
130.00° - 140.00°	0.00	0.00%
140.00° - 150.00°	0.00	0.00%
150.00° - 160.00°	0.00	0.00%
160.00° - 170.00°	0.00	0.00%
170.00° - 180.00°	0.00	0.00%
0.00° - 90.00°	4,059.02	100.00%
90.00° - 180.00°	0.12	0.00%
0.00° - 180.00°	4,059.02	100.00%