

PROJECT:

NOTES:

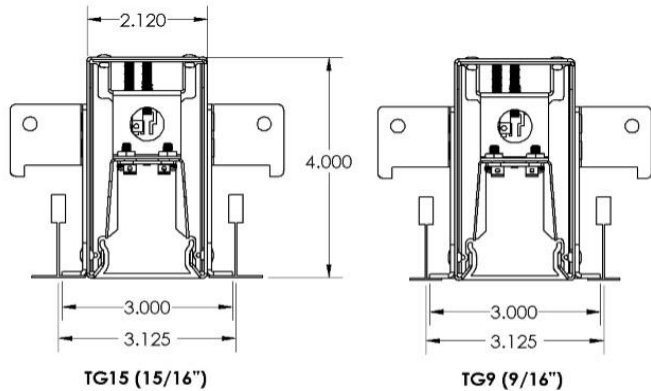
ORDERING INFORMATION:

EXAMPLE

VT2 - 8F - 50 - 9 - 35 - 347 - W - EM - T9 - DA

SERIES NOM. LENGTH LUMENS CRI KELVINS VOLTAGE FINISH OPTIONS MOUNTING DRIVERS

SHOP DRAWING



ORDERING INFORMATION

SERIES
VT2

FINISH
W Matte White
B Matte Textured Black
C Custom Finish (Specify RAL Color)

NOMINAL LENGTH
(X)F Nominal Length in feet

OPTIONS
CP1 Occupancy/Daylight Sensor (Phillips SNS200)
CLE5 Occupancy Sensor (Leviton OSF10)
CW3 Passive Infrared Sensor (WattStopper FSP-211)
EM Emergency Power Pack*
**Available with section of 4ft and over for direct only version*

LUMENS*
30 300 Lumens Per Foot
50 500 Lumens Per Foot
75 750 Lumens Per Foot
100 1000 Lumens Per Foot
**Other lumen packages available*

MOUNTING
T9 T-Bar 9/16"
T15 T-Bar 15/16"

CRI
BLANK 80 CRI
9 90 CRI

DRIVERS
BLANK 0-10V dimming (Standard)
DA DALI driver
Click on the following link for special driver options:
<https://bit.ly/2FqZ6qU>

KELVIN
27 2700K
30 3000K
35 3500K
40 4000K
50 5000K
TW Tunable White

VOLTAGE
BLANK 120-277V (Standard)
347 347V

FEATURES

- > 18 gauges C.R.S. 2 inch-wide linear fixture with unique fabrication concept made for continuous runs with simple and user-friendly joining systems
- > Snap-in white frosted acrylic lens
- > Matte powder coated finish applied post-production to ensure smooth edges and modern look
- > Wide selection of LED packages
- > Minimum 80 CRI; color range 2700K - 5000K available
- > Tunable White option available
- > Multiple dimming protocols available
- > 100% made in Canada

APPLICATIONS

- > Schools
- > Corridors
- > Offices
- > Commercial Applications
- > Atriums
- > Restaurants
- > Libraries

LED

FIXTURE PERFORMANCE DATA

SPECIFICATIONS

Housing – Precision die-formed 18-gauge C.R.S.

Diffuser – High efficiency white frosted acrylic snap-in lens

Finish – Baked enamel powder finish applied post production on all surfaces for smooth edges and safe handling

Electrical – High quality mid-power LED boards. L70 >72,000 hours reported / 129,200 hours calculated at maximum allowable output current. L85 >50,000 hours.

Mounting – Recessed T-Bar

Listings –

■ cUL certified as luminaire suitable for dry or damp locations.

Warranty – 5-year limited warranty

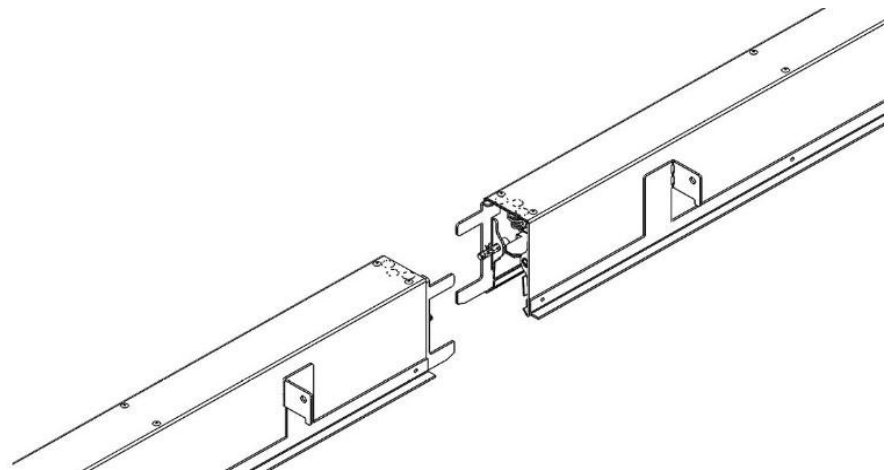
LED PACKAGE	DELIVERED LUMENS	WATTAGE	EFFICACY (lm/W)
Direct (4ft)			
1200	1,221	11	111
2000	2,022	18	112
3000	3,066	29	106
4000	4,059	40	101

*Results based on smooth white frosted lens, 80 CRI, 4000K

MULTIPLIER TABLE	
COLOR TEMPERATURE	
CCT/CRI	CONVERSION FACTOR
2700K / 80 CRI	0.93
3000K / 80 CRI	0.95
3500K / 80 CRI	0.97
4000K / 80 CRI	1
5000K / 80 CRI	1.03

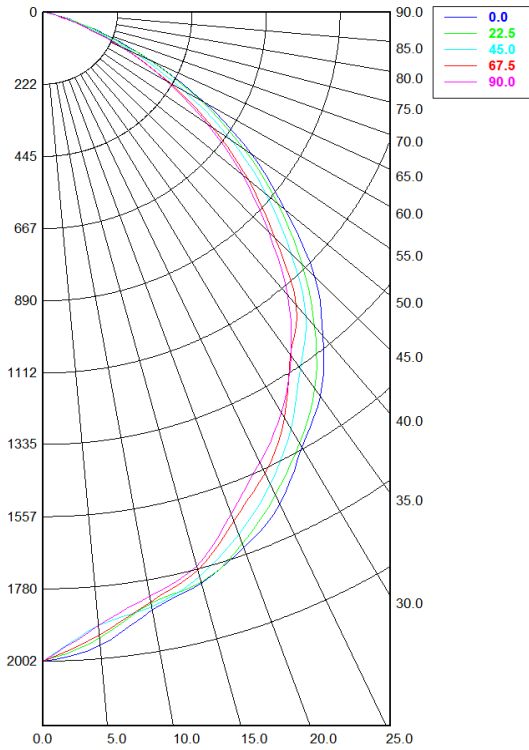
Fixture Details

JOINING SYSTEM



PHOTOMETRY

VT2-4F-100-40-MV



Candela Distribution

	0.00°	22.50°	45.00°	67.50°	90.00°
0.00°	2,002.27	2,002.27	2,002.27	2,002.27	2,002.27
5.00°	1,961.18	1,938.09	1,900.53	1,928.98	1,900.97
10.00°	1,874.10	1,853.59	1,863.01	1,847.55	1,830.61
15.00°	1,825.04	1,822.63	1,803.25	1,782.56	1,770.76
20.00°	1,756.66	1,744.13	1,712.96	1,668.90	1,645.76
25.00°	1,677.69	1,645.05	1,608.46	1,570.13	1,532.95
30.00°	1,551.80	1,537.35	1,486.02	1,447.82	1,429.58
35.00°	1,448.74	1,419.85	1,344.31	1,293.94	1,294.74
40.00°	1,305.10	1,265.78	1,225.87	1,180.44	1,142.07
45.00°	1,150.68	1,096.89	1,051.97	980.49	953.81
50.00°	947.13	918.91	870.96	796.55	773.75
55.00°	758.91	728.98	682.64	617.46	598.23
60.00°	553.46	543.69	488.73	436.66	422.50
65.00°	353.02	346.80	300.12	267.85	264.27
70.00°	186.43	178.64	154.58	128.70	120.25
75.00°	60.87	58.00	46.13	35.85	34.77
80.00°	8.63	9.06	7.51	6.09	6.56
85.00°	0.67	0.86	1.51	2.02	2.00
90.00°	0.47	0.44	0.44	0.49	0.26

Spacing Criterion:

Two luminaires, plane 0°	1.15
Two luminaires, plane 90°	1.07
Four luminaires	1.24

Zonal Lumen Summary

Zone	Lumens	% Fixture
0.00° - 10.00°	192.16	4.73%
10.00° - 20.00°	503.82	12.41%
20.00° - 30.00°	736.56	18.15%
30.00° - 40.00°	846.64	20.86%
40.00° - 50.00°	801.72	19.75%
50.00° - 60.00°	600.98	14.81%
60.00° - 70.00°	307.68	7.58%
70.00° - 80.00°	66.51	1.64%
80.00° - 90.00°	2.94	0.07%
90.00° - 100.00°	0.12	0.00%
100.00° - 110.00°	0.00	0.00%
110.00° - 120.00°	0.00	0.00%
120.00° - 130.00°	0.00	0.00%
130.00° - 140.00°	0.00	0.00%
140.00° - 150.00°	0.00	0.00%
150.00° - 160.00°	0.00	0.00%
160.00° - 170.00°	0.00	0.00%
170.00° - 180.00°	0.00	0.00%
0.00° - 90.00°	4,059.02	100.00%
90.00° - 180.00°	0.12	0.00%
0.00° - 180.00°	4,059.02	100.00%