

PROJECT:

NOTES:

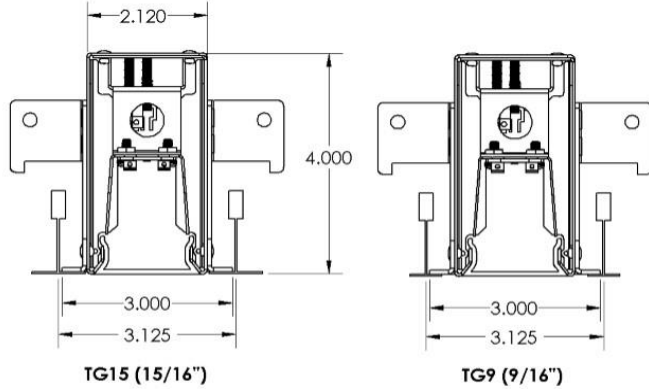
ORDERING INFORMATION:

EXAMPLE

VT2 - 8F - 50 - 9 - 35 - 347 - W - EM - T9 - CW2 DA

SERIES NOM. LENGTH LUMENS CRI KELVINS VOLTAGE FINISH OPTIONS MOUNTING CONTROLS DRIVERS

SHOP DRAWING



ORDERING INFORMATION

SERIES
VT2

FINISH
W Matte White
C Custom Finish (Specify RAL Color)

NOMINAL LENGTH
(X)F Nominal Length in feet*
* Standard sections of 2', 4', 6' and 8'
(Consult factory if other dimensions are needed)

OPTIONS
EM Emergency Power Pack*
SP Special Demand
*Available with section of 4ft and over for direct only version

LUMENS*
30 300 Lumens Per Foot
50 500 Lumens Per Foot
75 750 Lumens Per Foot
100 1000 Lumens Per Foot
*Other lumen packages available

MOUNTING
T9 T-Bar 9/16"
T15 T-Bar 15/16"

CRI
BLANK 80 CRI
9 90 CRI

CONTROLS
Click on the following link for control options:
<https://bit.ly/2C5IXqa>

KELVIN
27 2700K
30 3000K
35 3500K
40 4000K
50 5000K
TW Tunable White

DRIVERS
BLANK 0-10V dimming (Standard)
DA DALI driver
Click on the following link for special driver options:
<https://bit.ly/2FqZ6gU>

VOLTAGE
BLANK 120-277V (Standard)
347 347V

FEATURES

- > 18 gauges C.R.S. 2 inch-wide linear fixture with unique fabrication concept made for continuous runs with simple and user-friendly joining systems
- > Snap-in white frosted acrylic lens
- > Matte powder coated finish applied post-production to ensure smooth edges and modern look
- > Wide selection of LED packages
- > Minimum 80 CRI; color range 2700K - 5000K available
- > Tunable White option available
- > Multiple dimming protocols available
- > 100% made in Canada

APPLICATIONS

- > Schools
- > Corridors
- > Offices
- > Commercial Applications
- > Atriums
- > Restaurants
- > Libraries

LED

FIXTURE PERFORMANCE DATA

SPECIFICATIONS

Housing – Precision die-formed 18-gauge C.R.S.

Diffuser – High efficiency white frosted acrylic snap-in lens

Finish – Baked enamel powder finish applied post production on all surfaces for smooth edges and safe handling

Electrical – High quality mid-power LED boards. L70 >72,000 hours reported / 129,200 hours calculated at maximum allowable output current. L85 >50,000 hours.

Mounting – Recessed T-Bar

Listings –

■ cUL certified as luminaire suitable for dry or damp locations.

Warranty – 5-year limited warranty

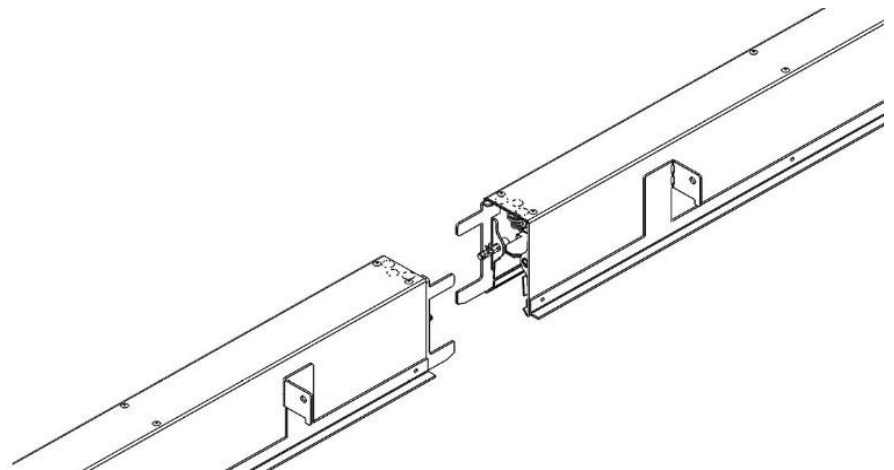
| LED PACKAGE | DELIVERED LUMENS | WATTAGE | EFFICACY (lm/W) |
|-------------|------------------|---------|-----------------|
| | | | |
| 1200 | 1,221 | 11 | 111 |
| 2000 | 2,022 | 18 | 112 |
| 3000 | 3,066 | 29 | 106 |
| 4000 | 4,059 | 40 | 101 |

*Results based on smooth white frosted lens, 80 CRI, 4000K

| MULTIPLIER TABLE | |
|-------------------|-------------------|
| COLOR TEMPERATURE | |
| CCT/CRI | CONVERSION FACTOR |
| 2700K / 80 CRI | 0.93 |
| 3000K / 80 CRI | 0.95 |
| 3500K / 80 CRI | 0.97 |
| 4000K / 80 CRI | 1 |
| 5000K / 80 CRI | 1.03 |

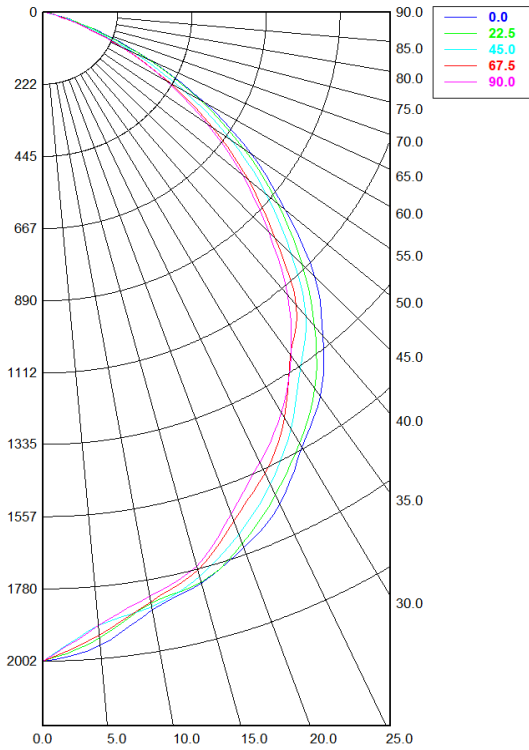
Fixture Details

JOINING SYSTEM



PHOTOMETRY

VT2-4F-40-40-MV



Candela Distribution

| | 0.00° | 22.50° | 45.00° | 67.50° | 90.00° |
|---------------|-----------------|-----------------|-----------------|-----------------|-----------------|
| 0.00° | 2,002.27 | 2,002.27 | 2,002.27 | 2,002.27 | 2,002.27 |
| 5.00° | 1,961.18 | 1,938.09 | 1,900.53 | 1,928.98 | 1,900.97 |
| 10.00° | 1,874.10 | 1,853.59 | 1,863.01 | 1,847.55 | 1,830.61 |
| 15.00° | 1,825.04 | 1,822.63 | 1,803.25 | 1,782.56 | 1,770.76 |
| 20.00° | 1,756.66 | 1,744.13 | 1,712.96 | 1,668.90 | 1,645.76 |
| 25.00° | 1,677.69 | 1,645.05 | 1,608.46 | 1,570.13 | 1,532.95 |
| 30.00° | 1,551.80 | 1,537.35 | 1,486.02 | 1,447.82 | 1,429.58 |
| 35.00° | 1,448.74 | 1,419.85 | 1,344.31 | 1,293.94 | 1,294.74 |
| 40.00° | 1,305.10 | 1,265.78 | 1,225.87 | 1,180.44 | 1,142.07 |
| 45.00° | 1,150.68 | 1,096.89 | 1,051.97 | 980.49 | 953.81 |
| 50.00° | 947.13 | 918.91 | 870.96 | 796.55 | 773.75 |
| 55.00° | 758.91 | 728.98 | 682.64 | 617.46 | 598.23 |
| 60.00° | 553.46 | 543.69 | 488.73 | 436.66 | 422.50 |
| 65.00° | 353.02 | 346.80 | 300.12 | 267.85 | 264.27 |
| 70.00° | 186.43 | 178.64 | 154.58 | 128.70 | 120.25 |
| 75.00° | 60.87 | 58.00 | 46.13 | 35.85 | 34.77 |
| 80.00° | 8.63 | 9.06 | 7.51 | 6.09 | 6.56 |
| 85.00° | 0.67 | 0.86 | 1.51 | 2.02 | 2.00 |
| 90.00° | 0.47 | 0.44 | 0.44 | 0.49 | 0.26 |

Spacing Criterion:

| | |
|----------------------------------|------|
| Two luminaires, plane 0° | 1.15 |
| Two luminaires, plane 90° | 1.07 |
| Four luminaires | 1.24 |

Zonal Lumen Summary

| Zone | Lumens | % Fixture |
|-------------------|----------|-----------|
| 0.00° - 10.00° | 192.16 | 4.73% |
| 10.00° - 20.00° | 503.82 | 12.41% |
| 20.00° - 30.00° | 736.56 | 18.15% |
| 30.00° - 40.00° | 846.64 | 20.86% |
| 40.00° - 50.00° | 801.72 | 19.75% |
| 50.00° - 60.00° | 600.98 | 14.81% |
| 60.00° - 70.00° | 307.68 | 7.58% |
| 70.00° - 80.00° | 66.51 | 1.64% |
| 80.00° - 90.00° | 2.94 | 0.07% |
| 90.00° - 100.00° | 0.12 | 0.00% |
| 100.00° - 110.00° | 0.00 | 0.00% |
| 110.00° - 120.00° | 0.00 | 0.00% |
| 120.00° - 130.00° | 0.00 | 0.00% |
| 130.00° - 140.00° | 0.00 | 0.00% |
| 140.00° - 150.00° | 0.00 | 0.00% |
| 150.00° - 160.00° | 0.00 | 0.00% |
| 160.00° - 170.00° | 0.00 | 0.00% |
| 170.00° - 180.00° | 0.00 | 0.00% |
| 0.00° - 90.00° | 4,059.02 | 100.00% |
| 90.00° - 180.00° | 0.12 | 0.00% |
| 0.00° - 180.00° | 4,059.02 | 100.00% |