

PROJECT:

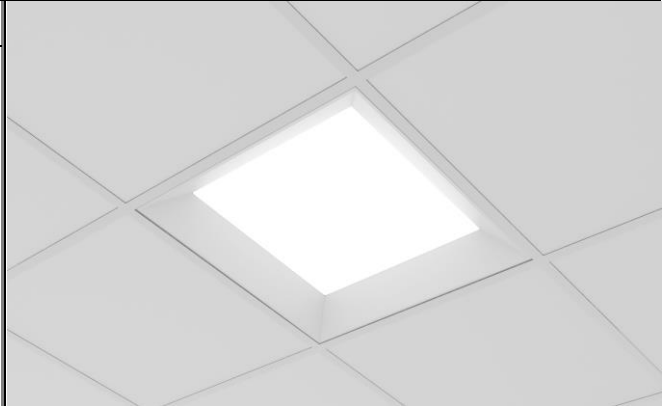
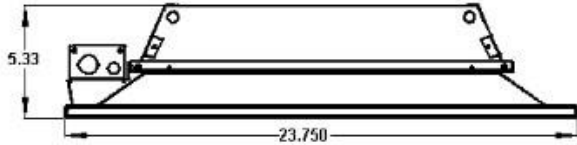
NOTES:

ORDERING INFORMATION:

EXAMPLE

SRL - 22 - 30 - 9 - 35 - MV - EM - CL6 - DM
 SERIES NOM. LENGTH LUMENS CRI KELVINS VOLTAGE OPTIONS CONTROLS DRIVER

SHOP DRAWINGS



ORDERING INFORMATION

SERIES

SRL

VOLTAGE

MV 120-277V
 347 347V

NOMINAL LENGTH

22 24" x 24"
 M Metric

OPTIONS

EM Emergency Power Pack
 FK Flange Kit

LUMENS

| Lumen Package* | Nom. Lumens | Wattage |
|----------------|-------------|---------|
| 24" x 24" | | |
| 30 | 3,000 | 27 |
| 50 | 5,000 | 49 |

*Other lumen packages available

CONTROLS

BLANK None
 Click on the following link for control options:
<https://bit.ly/2KzMuAx>

CRI

BLANK 80 CRI
 9 90 CRI

DRIVER

BLANK Non-dimming applications
 DM 0-10V dimming
 DA DALI driver
 Click on the following link for special driver options:
<https://bit.ly/2EqZ6qU>

KELVIN

30 3000K
 35 3500K
 40 4000K
 50 5000K
 TW Tunable White

FEATURES

- > Premium architectural LED recessed luminaire for applications requiring clean aesthetics, energy efficiency and comfortable illumination
- > Minimum 80 CRI; color range 3000K - 5000K available
- > Tunable White option available
- > Multiple dimming protocols available
- > White opal regressed acrylic lens for smooth and diffuse illumination
- > Lens regressed 2.22" from grid
- > 100% made in Canada

APPLICATIONS

- > Offices
- > Schools
- > Retail Stores
- > Commercial Applications
- > Hospitals
- > Nursing Homes

FIXTURE PERFORMANCE DATA

SPECIFICATIONS

Housing – Precision die-formed 20-gauge C.R.S and aluminium frame

Lens – White opal regress acrylic lens

Finish – Baked matte white enamel powder finish applied post production on all surfaces for smooth edges and safe handling.

Electrical – High quality mid-power LED boards. L70 >72,000 hours reported / 129,200 calculated at maximum allowable output current. L85 >50,000 hours.

Mounting – T-Bar ceilings

Listings –

- cUL certified as luminaire suitable for dry or damp locations.

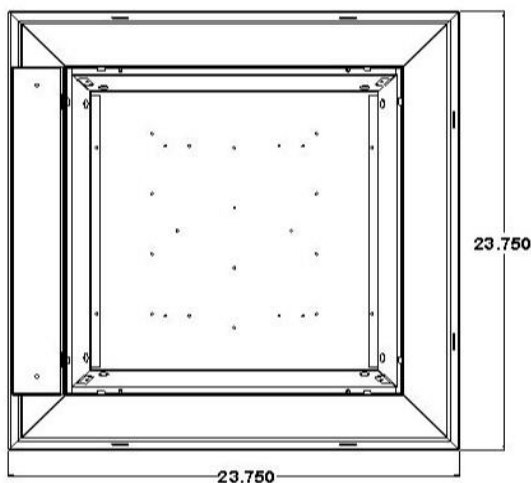
Warranty – 5-year limited warranty

| LED PACKAGE | DELIVERED LUMENS | WATTAGE | EFFICACY (lm/W) |
|-------------|------------------|---------|-----------------|
| 24" x 24" | | | |
| 30 | 3,035 | 27 | 112 |
| 50 | 5,064 | 49 | 103 |

*Results based on 4000K, 80 CRI, White Opal Lens (H1)

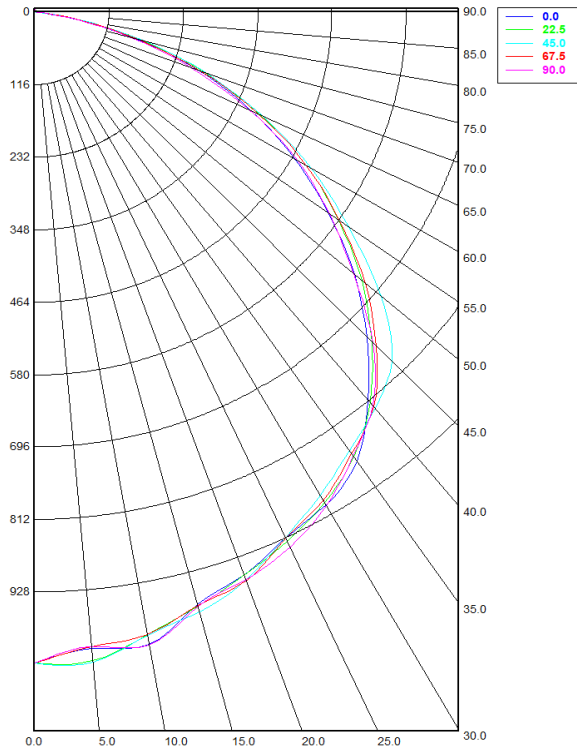
| MULTIPLIER TABLE | |
|-------------------|-------------------|
| COLOR TEMPERATURE | |
| CCT/CRI | CONVERSION FACTOR |
| 3000K / 80 CRI | 0.95 |
| 3500K / 80 CRI | 0.97 |
| 4000K / 80 CRI | 1 |
| 5000K / 80 CRI | 1.03 |

FIXTURE DETAILS



PHOTOMETRY

SRL-22-30-40-MV Total Luminaire Output: 3,035 lumens; 27 Watts



Candela Distribution

| | 0.00° | 22.50° | 45.00° | 67.50° | 90.00° |
|--------|----------|----------|----------|----------|----------|
| 0.00° | 1,042.08 | 1,042.08 | 1,042.08 | 1,042.08 | 1,042.08 |
| 5.00° | 1,022.64 | 1,042.35 | 1,044.46 | 1,019.49 | 1,019.46 |
| 10.00° | 1,027.48 | 1,012.51 | 1,013.18 | 1,011.71 | 1,028.37 |
| 15.00° | 981.99 | 984.27 | 993.74 | 983.36 | 985.10 |
| 20.00° | 957.96 | 958.33 | 966.04 | 967.91 | 966.24 |
| 25.00° | 927.90 | 933.74 | 927.58 | 928.33 | 944.38 |
| 30.00° | 911.31 | 906.57 | 893.42 | 902.95 | 912.80 |
| 35.00° | 877.59 | 869.66 | 857.79 | 863.63 | 868.08 |
| 40.00° | 810.70 | 815.84 | 828.02 | 824.54 | 822.26 |
| 45.00° | 733.84 | 744.98 | 788.89 | 754.53 | 747.30 |
| 50.00° | 652.44 | 667.29 | 706.20 | 674.72 | 650.81 |
| 55.00° | 561.82 | 580.53 | 598.99 | 582.09 | 562.32 |
| 60.00° | 468.75 | 490.87 | 498.91 | 491.03 | 474.96 |
| 65.00° | 372.25 | 386.05 | 389.78 | 384.64 | 367.59 |
| 70.00° | 271.02 | 280.48 | 283.79 | 274.61 | 259.01 |
| 75.00° | 158.15 | 171.26 | 174.08 | 167.11 | 155.78 |
| 80.00° | 57.40 | 64.68 | 70.06 | 65.97 | 59.90 |
| 85.00° | 3.49 | 4.82 | 7.03 | 5.64 | 4.37 |
| 90.00° | 0.27 | 0.36 | 0.23 | 0.20 | 0.37 |

Spacing Criterion:

| | |
|---------------------------|------|
| Two luminaires, plane 0° | 1.3 |
| Two luminaires, plane 90° | 1.3 |
| Four luminaires | 1.45 |

Zonal Lumen Summary

| Zone | Lumens | % Fixture |
|-------------------|----------|-----------|
| 0.00° - 10.00° | 103.90 | 3.42% |
| 10.00° - 20.00° | 278.61 | 9.18% |
| 20.00° - 30.00° | 429.94 | 14.16% |
| 30.00° - 40.00° | 540.78 | 17.82% |
| 40.00° - 50.00° | 579.88 | 19.10% |
| 50.00° - 60.00° | 518.41 | 17.08% |
| 60.00° - 70.00° | 377.01 | 12.42% |
| 70.00° - 80.00° | 177.18 | 5.84% |
| 80.00° - 90.00° | 20.50 | 0.68% |
| 90.00° - 100.00° | 0.34 | 0.01% |
| 100.00° - 110.00° | 0.74 | 0.02% |
| 110.00° - 120.00° | 1.03 | 0.03% |
| 120.00° - 130.00° | 1.19 | 0.04% |
| 130.00° - 140.00° | 1.27 | 0.04% |
| 140.00° - 150.00° | 1.46 | 0.05% |
| 150.00° - 160.00° | 1.52 | 0.05% |
| 160.00° - 170.00° | 1.18 | 0.04% |
| 170.00° - 180.00° | 0.45 | 0.01% |
| 0.00° - 90.00° | 3,026.21 | 99.70% |
| 90.00° - 180.00° | 9.18 | 0.30% |
| 0.00° - 180.00° | 3,035.39 | 100.00% |