

PROJECT:

NOTES:

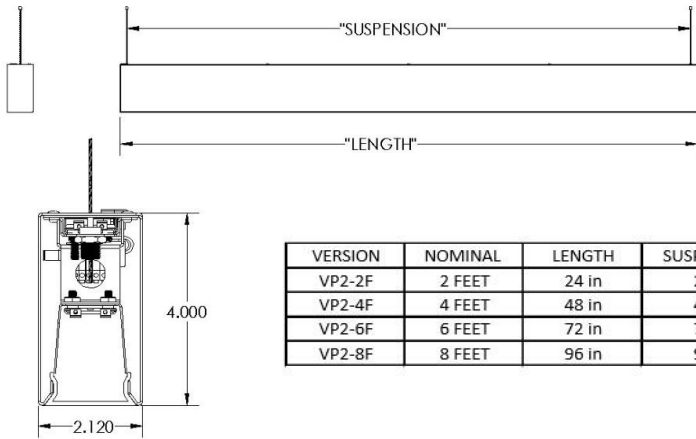
ORDERING INFORMATION:

EXAMPLE

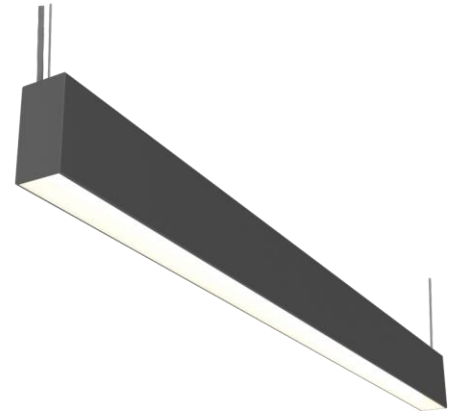
VP2 - 8F - 50D - 75I - 9 - 35 - 347 - 2C - B - EM - DM

SERIES NOM. LENGTH LUMENS DIRECT LUMENS INDIRECT CRI KELVINS VOLTAGE CIRCUITS FINISH OPTIONS DRIVERS

SHOP DRAWING



VERSION	NOMINAL	LENGTH	SUSPENSION
VP2-2F	2 FEET	24 in	23 in
VP2-4F	4 FEET	48 in	47 in
VP2-6F	6 FEET	72 in	71 in
VP2-8F	8 FEET	96 in	95 in



ORDERING INFORMATION

SERIES
VP2

VOLTAGE
BLANK 120-277V (Standard)
347 347V

NOMINAL LENGTH
(X)F Nominal Length in feet

CIRCUITS
BLANK 1 Circuit (Standard)
2C 2 Circuits (direct/indirect only)

LUMENS DIRECT*
30D 300 Lumens Per Foot
50D 500 Lumens Per Foot
75D 750 Lumens Per Foot
100D 1000 Lumens Per Foot

FINISH
B Matte Textured Black
W Matte Textured White
S Matte Textured Silver*
C Custom Finish (Specify RAL Color)

*Other lumen packages available

*Setup charge might be applicable for low quantities

LUMENS INDIRECT*
BLANK No indirect light
30I 300 Lumens Per Foot
50I 500 Lumens Per Foot
75I 750 Lumens Per Foot
100I 1000 Lumens Per Foot

OPTIONS
BW Batwing distribution for indirect lighting
A# Air Craft Cable #ft (4ft standard)
S# Stem Mount #ft
W# White Cabtire #ft
B# Black Cabtire #ft
CP1 Occupancy/Daylight Sensor (Phillips SNS200)
CLE5 Occupancy Sensor (Leviton OSF10)
CW3 Passive Infrared Sensor (WattStopper FSP-211)
EM Emergency Power Pack*

*Available with section of 4ft and over for direct only version

*Available with section of 6ft and over for direct/indirect version

CRI
BLANK 80 CRI
9 90 CRI

KELVIN
27 2700K
30 3000K
35 3500K
40 4000K
50 5000K
TW Tunable White

DRIVERS
BLANK 0-10V dimming (Standard)
DA DALI driver
Click on the following link for special driver options:
<https://bit.ly/2FqZ6gU>

FEATURES

- > 18 gauges C.R.S. 2 inch-wide linear fixture with unique fabrication concept made for continuous runs with simple and user-friendly joining systems
- > Snap-in white frosted acrylic lens (direct) and frosted acrylic lay-in lens (indirect)
- > Matte powder coated finish applied post-production to ensure smooth edges and modern look
- > Wide selection of LED packages
- > Minimum 80 CRI; color range 2700K - 5000K available
- > Tunable White option available
- > Available as direct-only, indirect-only or direct/indirect versions
- > Multiple dimming protocols available
- > 100% made in Canada

APPLICATIONS

- > Schools
- > Corridors
- > Offices
- > Commercial Applications
- > Atriums
- > Restaurants
- > Libraries

LED

FIXTURE PERFORMANCE DATA

SPECIFICATIONS

Housing – Precision die-formed 18-gauge C.R.S.

Diffuser – High efficiency white frosted acrylic snap-in lens (Direct) and frosted acrylic lay-in lens (Indirect)

Finish – Baked enamel matte sandtex powder finish applied post production on all surfaces for smooth edges and safe handling

Electrical – High quality mid-power LED boards. L70 >72,000 hours reported / 129,200 hours calculated at maximum allowable output current. L85 >50,000 hours.

Mounting – Suspended

Listings –
■ cUL certified as luminaire suitable for dry or damp locations.

Warranty – 5-year limited warranty

LED PACKAGE	DELIVERED LUMENS	WATTAGE	EFFICACY (lm/W)
Direct (4ft)			
1200	1,222	11	111
2000	2,020	18	112
3000	3,065	29	106
4000	4,063	40	102
Direct / Indirect (4ft)			
2000(D) / 2000(I)	4,025	35	115
2000(D) / 3000(I)	5,107	45	113
2000(D) / 4000(I)	6,096	55	110
3000(D) / 2000(I)	5,071	46	110
3000(D) / 3000(I)	6,148	56	109
3000(D) / 4000(I)	7,138	66	108
4000(D) / 2000(I)	6,070	57	106
4000(D) / 3000(I)	7,153	67	106
4000(D) / 4000(I)	8,237	78	106

*Results based on smooth frosted lens (Direct), frosted lens (Indirect), 80 CRI, 4000K

MULTIPLIER TABLE	
COLOR TEMPERATURE	
CCT/CRI	CONVERSION FACTOR
2700K / 80 CRI	0.93
3000K / 80 CRI	0.95
3500K / 80 CRI	0.97
4000K / 80 CRI	1
5000K / 80 CRI	1.03

Fixture Details

TOP VIEW



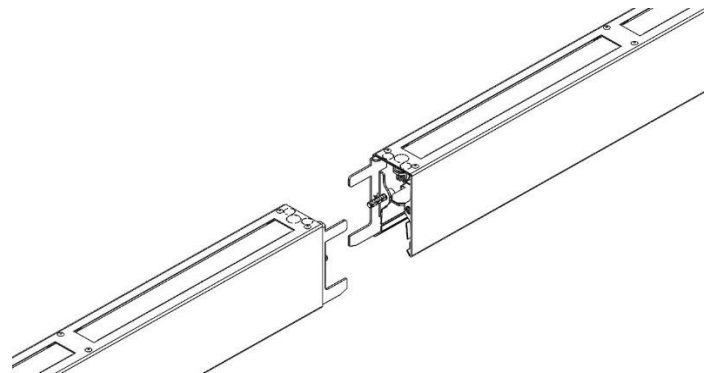
SIDE VIEW



BOTTOM VIEW

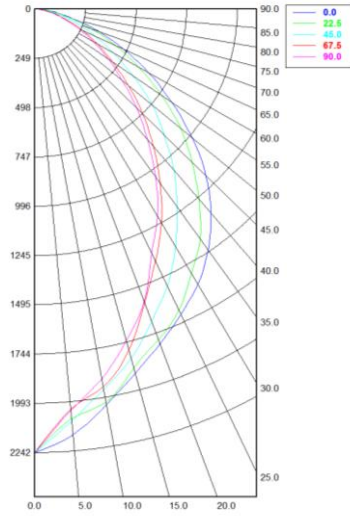


JOINING SYSTEM



PHOTOMETRY

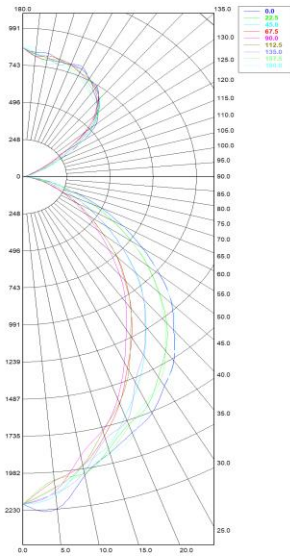
VP2-4F-100D-40-MV



Zonal Lumen Summary

Zone	Lumens	% Fixture
0.00° - 10.00°	193.10	4.75%
10.00° - 20.00°	504.64	12.42%
20.00° - 30.00°	737.46	18.15%
30.00° - 40.00°	850.44	20.93%
40.00° - 50.00°	801.12	19.71%
50.00° - 60.00°	600.47	14.78%
60.00° - 70.00°	307.29	7.56%
70.00° - 80.00°	66.09	1.63%
80.00° - 90.00°	2.92	0.07%
90.00° - 100.00°	0.11	0.00%
100.00° - 110.00°	0.00	0.00%
110.00° - 120.00°	0.00	0.00%
120.00° - 130.00°	0.00	0.00%
130.00° - 140.00°	0.00	0.00%
140.00° - 150.00°	0.00	0.00%
150.00° - 160.00°	0.00	0.00%
160.00° - 170.00°	0.00	0.00%
170.00° - 180.00°	0.00	0.00%
0.00° - 90.00°	4,063.53	100.00%
90.00° - 180.00°	0.11	0.00%
0.00° - 180.00°	4,063.53	100.00%

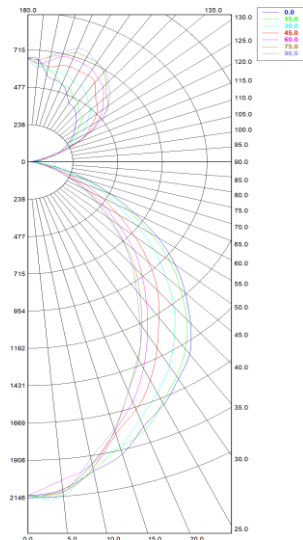
VP2-4F-100D-50I-40-MV



Zonal Lumen Summary

Zone	Lumens	% Fixture
0.00° - 10.00°	198.48	3.27%
10.00° - 20.00°	513.92	8.47%
20.00° - 30.00°	750.54	12.36%
30.00° - 40.00°	858.34	14.14%
40.00° - 50.00°	801.15	13.20%
50.00° - 60.00°	591.72	9.75%
60.00° - 70.00°	291.01	4.79%
70.00° - 80.00°	57.45	0.95%
80.00° - 90.00°	2.69	0.04%
90.00° - 100.00°	23.32	0.38%
100.00° - 110.00°	114.69	1.89%
110.00° - 120.00°	234.31	3.86%
120.00° - 130.00°	327.49	5.39%
130.00° - 140.00°	376.96	6.21%
140.00° - 150.00°	368.49	6.07%
150.00° - 160.00°	299.84	4.94%
160.00° - 170.00°	191.42	3.15%
170.00° - 180.00°	69.06	1.14%
0.00° - 90.00°	4,065.30	66.96%
90.00° - 180.00°	2,005.57	33.04%
0.00° - 180.00°	6,070.87	100.00%

VP2-4F-100D-50I-40-MV-BW



Zonal Lumen Summary

Zone	Lumens	% Fixture
0.00° - 10.00°	207.37	3.43%
10.00° - 20.00°	511.85	8.47%
20.00° - 30.00°	705.99	11.68%
30.00° - 40.00°	771.21	12.76%
40.00° - 50.00°	711.70	11.77%
50.00° - 60.00°	548.24	9.07%
60.00° - 70.00°	345.56	5.72%
70.00° - 80.00°	157.89	2.61%
80.00° - 90.00°	35.35	0.58%
90.00° - 100.00°	26.66	0.44%
100.00° - 110.00°	118.88	1.97%
110.00° - 120.00°	255.47	4.23%
120.00° - 130.00°	357.49	5.91%
130.00° - 140.00°	389.52	6.44%
140.00° - 150.00°	365.33	6.04%
150.00° - 160.00°	290.50	4.81%
160.00° - 170.00°	181.03	2.99%
170.00° - 180.00°	64.44	1.07%
0.00° - 90.00°	3,995.16	66.10%
90.00° - 180.00°	2,049.32	33.90%
0.00° - 180.00°	6,044.49	100.00%