

PROJECT:

NOTES:

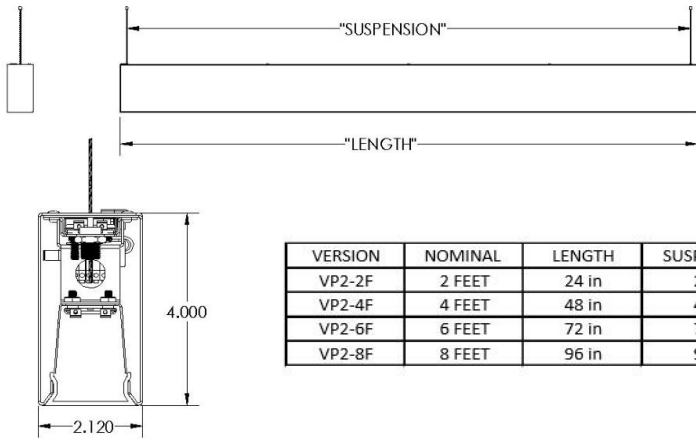
ORDERING INFORMATION:

EXAMPLE

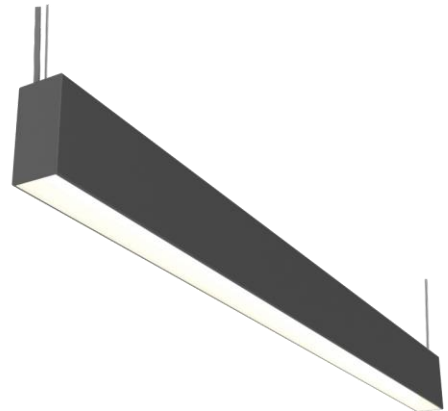
VP2 - 8F - 50D - 75I - 9 - 35 - 347 - 2C - B - EM - CP1 - DA

SERIES NOM. LENGTH LUMENS DIRECT LUMENS INDIRECT CRI KELVINS VOLTAGE CIRCUITS FINISH OPTIONS CONTROLS DRIVERS

SHOP DRAWING



VERSION	NOMINAL	LENGTH	SUSPENSION
VP2-2F	2 FEET	24 in	23 in
VP2-4F	4 FEET	48 in	47 in
VP2-6F	6 FEET	72 in	71 in
VP2-8F	8 FEET	96 in	95 in



ORDERING INFORMATION

SERIES
VP2

VOLTAGE
BLANK 120-277V (Standard)
347 347V

NOMINAL LENGTH
(X)F Nominal Length in feet*
* Standard sections of 2', 4', 6' and 8'
(Consult factory if other dimensions are needed)

CIRCUITS
BLANK 1 Circuit (Standard)
2C 2 Circuits (direct/indirect only)

LUMENS DIRECT*
30D 300 Lumens Per Foot
50D 500 Lumens Per Foot
75D 750 Lumens Per Foot
100D 1000 Lumens Per Foot
*Other lumen packages available

FINISH
B Matte Textured Black
W Matte Textured White
S Matte Textured Silver*
C Custom Finish (Specify RAL Color)
*Setup charge might be applicable for low quantities

LUMENS INDIRECT*
BLANK No indirect light
30I 300 Lumens Per Foot
50I 500 Lumens Per Foot
75I 750 Lumens Per Foot
100I 1000 Lumens Per Foot
*Other lumen packages available

OPTIONS
A# Air Craft Cable #ft (4ft standard)
S# Stem Mount #ft
W# White Cabtire #ft
B# Black Cabtire #ft
EM Emergency Power Pack*
*Available with section of 4ft and over for direct only version
*Available with section of 6ft and over for direct/indirect version

CRI
BLANK 80 CRI
9 90 CRI

CONTROLS
Click on the following link for control options:
<https://bit.ly/2C5IXqg>

KELVIN
27 2700K
30 3000K
35 3500K
40 4000K
50 5000K
TW Tunable White

DRIVERS
BLANK 0-10V dimming (Standard)
DA DALI driver
Click on the following link for special driver options:
<https://bit.ly/2FqZ6qU>

FEATURES

- > 18 gauges C.R.S. 2 inch-wide linear fixture with unique fabrication concept made for continuous runs with simple and user-friendly joining systems
- > Snap-in white frosted acrylic lens (direct) and frosted acrylic lay-in lens (indirect)
- > Matte powder coated finish applied post-production to ensure smooth edges and modern look
- > Wide selection of LED packages
- > Minimum 80 CRI; color range 2700K - 5000K available
- > Tunable White option available
- > Available as direct-only, indirect-only or direct/indirect versions
- > Multiple dimming protocols available
- > 100% made in Canada

APPLICATIONS

- > Schools
- > Corridors
- > Offices
- > Commercial Applications
- > Atriums
- > Restaurants
- > Libraries

LED

FIXTURE PERFORMANCE DATA

SPECIFICATIONS

Housing – Precision die-formed 18-gauge C.R.S.

Diffuser – High efficiency white frosted acrylic snap-in lens (Direct) and frosted acrylic lay-in lens (Indirect)

Finish – Baked enamel matte sandtex powder finish applied post production on all surfaces for smooth edges and safe handling

Electrical – High quality mid-power LED boards. L70 >72,000 hours reported / 129,200 hours calculated at maximum allowable output current. L85 >50,000 hours.

Mounting – Suspended

Listings –
■ cUL certified as luminaire suitable for dry or damp locations.

Warranty – 5-year limited warranty

LED PACKAGE	DELIVERED LUMENS	WATTAGE	EFFICACY (lm/W)
Direct (4ft)			
1200	1,222	11	111
2000	2,020	18	112
3000	3,065	29	106
4000	4,063	40	102
Direct / Indirect (4ft)			
2000(D) / 2000(I)	4,025	35	115
2000(D) / 3000(I)	5,107	45	113
2000(D) / 4000(I)	6,096	55	110
3000(D) / 2000(I)	5,071	46	110
3000(D) / 3000(I)	6,148	56	109
3000(D) / 4000(I)	7,138	66	108
4000(D) / 2000(I)	6,070	57	106
4000(D) / 3000(I)	7,153	67	106
4000(D) / 4000(I)	8,237	78	106

*Results based on smooth frosted lens (Direct), frosted lens (Indirect), 80 CRI, 4000K

MULTIPLIER TABLE	
COLOR TEMPERATURE	
CCT/CRI	CONVERSION FACTOR
2700K / 80 CRI	0.93
3000K / 80 CRI	0.95
3500K / 80 CRI	0.97
4000K / 80 CRI	1
5000K / 80 CRI	1.03

Fixture Details

TOP VIEW



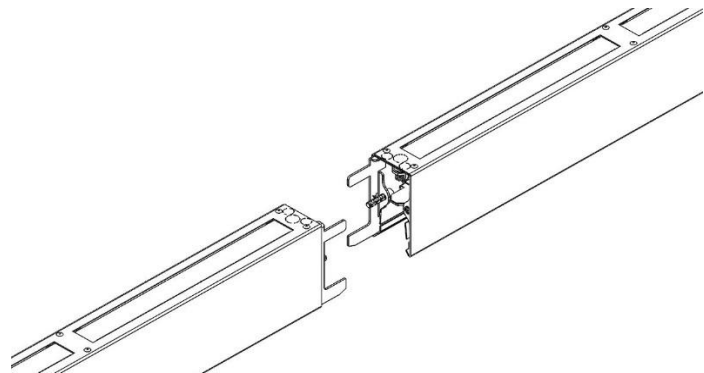
SIDE VIEW



BOTTOM VIEW



JOINING SYSTEM

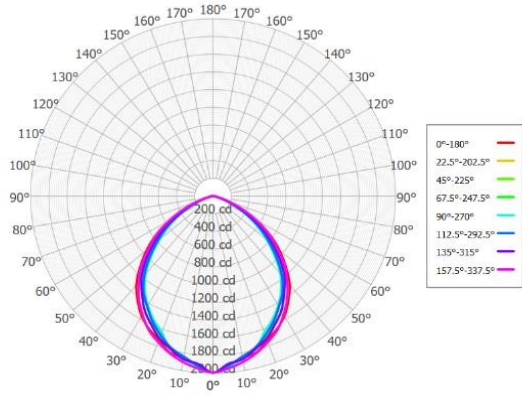


PHOTOMETRY

VP2-4F-40D-40

Candela Distribution

Zonal Lumen Summary



Spacing Criterion:

Two luminaires, plane 0°	1.17
Two luminaires, plane 90°	1.07
Four luminaires	1.24

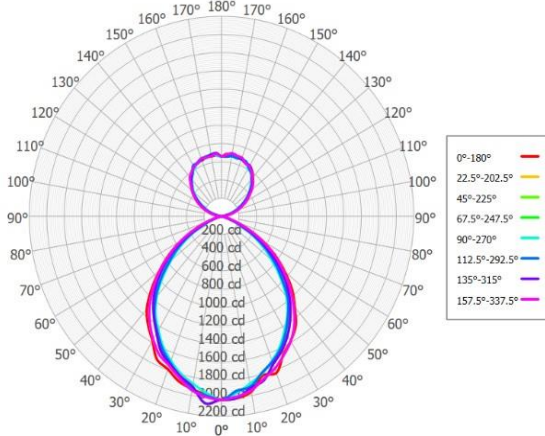
	0.00°	22.50°	45.00°	67.50°	90.00°
0.00°	1,993.99	1,993.99	1,993.99	1,993.99	1,993.99
5.00°	1,948.08	1,953.62	1,902.76	1,922.01	1,954.94
10.00°	1,856.31	1,902.62	1,870.47	1,842.13	1,849.34
15.00°	1,828.81	1,836.87	1,788.84	1,775.83	1,792.92
20.00°	1,729.96	1,755.76	1,712.04	1,673.40	1,641.21
25.00°	1,656.43	1,668.59	1,601.29	1,565.36	1,540.02
30.00°	1,565.51	1,545.51	1,496.42	1,442.99	1,426.15
35.00°	1,440.65	1,416.19	1,355.84	1,327.53	1,303.03
40.00°	1,307.77	1,267.68	1,224.52	1,172.72	1,148.59
45.00°	1,128.16	1,106.39	1,051.21	987.57	954.12
50.00°	946.28	911.12	864.53	795.87	768.46
55.00°	756.44	738.48	682.89	622.70	589.73
60.00°	551.96	539.63	484.61	434.94	422.24
65.00°	356.17	348.63	303.33	271.13	254.26
70.00°	182.60	179.45	151.83	127.83	118.50
75.00°	62.25	56.82	46.77	36.57	32.56
80.00°	7.95	8.96	7.58	6.35	5.79
85.00°	0.92	0.68	1.72	2.06	1.96
90.00°	0.16	0.32	0.60	0.47	0.23

Zone	Lumens	% Fixture
0.00° - 10.00°	193.10	4.75%
10.00° - 20.00°	504.64	12.42%
20.00° - 30.00°	737.46	18.15%
30.00° - 40.00°	850.44	20.93%
40.00° - 50.00°	801.12	19.71%
50.00° - 60.00°	600.47	14.78%
60.00° - 70.00°	307.29	7.56%
70.00° - 80.00°	66.09	1.63%
80.00° - 90.00°	2.92	0.07%
90.00° - 100.00°	0.11	0.00%
100.00° - 110.00°	0.00	0.00%
110.00° - 120.00°	0.00	0.00%
120.00° - 130.00°	0.00	0.00%
130.00° - 140.00°	0.00	0.00%
140.00° - 150.00°	0.00	0.00%
150.00° - 160.00°	0.00	0.00%
160.00° - 170.00°	0.00	0.00%
170.00° - 180.00°	0.00	0.00%
0.00° - 90.00°	4,063.53	100.00%
90.00° - 180.00°	0.11	0.00%
0.00° - 180.00°	4,063.53	100.00%

VP2-4F-40D-20I-40MV

Candela Distribution

Zonal Lumen Summary



Spacing Criterion:

Two luminaires, plane 0°	1.17
Two luminaires, plane 90°	1.07
Four luminaires	1.23

	0.00°	22.50°	45.00°	67.50°	90.00°	112.50°	135.00°	157.50°	180.00°
0.00°	2,018.52	2,018.52	2,018.52	2,018.52	2,018.52	2,018.52	2,018.52	2,018.52	2,018.52
5.00°	2,009.28	1,992.05	2,006.91	1,930.06	1,952.20	1,979.64	2,067.23	1,994.69	1,968.96
10.00°	1,959.99	1,943.95	1,918.94	1,903.30	1,870.46	1,934.17	1,903.15	1,943.92	1,929.71
15.00°	1,815.36	1,854.96	1,868.15	1,783.91	1,793.28	1,823.70	1,820.95	1,844.41	1,880.41
20.00°	1,832.86	1,781.74	1,728.94	1,700.22	1,690.44	1,714.77	1,730.33	1,748.72	1,791.42
25.00°	1,673.03	1,684.96	1,632.78	1,602.58	1,580.03	1,603.68	1,637.50	1,680.89	1,741.40
30.00°	1,582.35	1,585.69	1,511.43	1,467.80	1,444.43	1,468.01	1,484.40	1,564.51	1,580.88
35.00°	1,479.38	1,453.25	1,371.98	1,327.32	1,315.42	1,338.85	1,349.33	1,429.79	1,463.48
40.00°	1,304.41	1,283.40	1,220.01	1,184.43	1,154.67	1,174.78	1,211.04	1,281.01	1,329.74
45.00°	1,142.98	1,104.72	1,053.23	981.81	953.10	987.70	1,055.67	1,095.86	1,130.66
50.00°	941.66	915.12	865.22	797.60	752.63	783.72	872.13	913.11	923.13
55.00°	750.83	733.80	667.49	618.94	572.68	613.25	687.65	712.94	731.16
60.00°	545.94	525.44	478.62	421.97	399.17	423.69	476.46	521.23	529.91
65.00°	346.69	332.78	286.17	249.30	243.58	244.13	284.49	325.28	337.46
70.00°	163.79	163.30	140.13	111.54	106.57	113.91	138.19	161.70	165.93
75.00°	49.46	50.82	38.22	28.61	27.37	29.22	39.23	47.67	47.48
80.00°	5.53	6.71	5.89	4.47	5.17	4.70	6.42	6.80	5.72
85.00°	0.30	0.83	2.01	1.94	1.81	1.28	1.17	0.72	0.94
90.00°	2.39	1.39	1.54	1.15	1.26	1.87	1.47	1.10	3.51
95.00°	30.87	20.99	13.16	11.75	10.49	11.19	13.60	21.80	32.68
100.00°	79.83	68.06	48.52	30.69	28.05	31.27	47.29	72.45	78.78
105.00°	136.47	126.55	104.75	85.28	77.02	88.44	109.01	129.10	127.57
110.00°	191.08	194.80	179.52	153.59	144.07	154.50	175.36	189.72	196.88
115.00°	256.00	251.45	242.44	221.19	212.30	222.50	241.26	255.53	255.28
120.00°	327.79	315.39	303.24	284.00	276.12	283.75	305.36	320.89	319.46
125.00°	383.22	381.06	366.19	356.92	347.74	358.27	372.69	379.21	379.33
130.00°	443.67	448.45	426.60	423.55	414.20	427.16	437.43	437.84	439.43
135.00°	511.19	509.85	498.56	488.99	467.48	483.88	480.37	495.05	499.54
140.00°	559.26	547.58	536.18	545.59	527.80	533.96	542.75	562.50	553.78
145.00°	609.80	600.69	605.79	587.82	582.91	573.62	594.47	593.17	594.19
150.00°	631.14	635.47	644.79	620.05	609.57	646.56	626.60	630.30	623.04
155.00°	642.57	644.53	645.37	664.11	652.67	642.83	650.68	647.30	652.21
160.00°	683.26	683.15	671.07	667.05	680.86	666.23	669.36	676.23	655.18
165.00°	666.52	688.91	688.54	664.10	660.05	680.93	676.65	671.67	666.67
170.00°	681.16	702.27	700.17	671.86	697.47	677.67	687.84	672.62	668.13
175.00°	688.12	679.14	675.01	658.42	667.41	690.84	698.18	688.89	672.11
180.00°	661.51	661.51	661.51	661.51	661.51	661.51	661.51	661.51	661.51

Zone	Lumens	% Fixture
0.00° - 10.00°	198.48	3.27%
10.00° - 20.00°	513.92	8.47%
20.00° - 30.00°	750.54	12.36%
30.00° - 40.00°	858.34	14.14%
40.00° - 50.00°	801.15	13.20%
50.00° - 60.00°	591.72	9.75%
60.00° - 70.00°	291.01	4.79%
70.00° - 80.00°	57.45	0.95%
80.00° - 90.00°	2.69	0.04%
90.00° - 100.00°	23.32	0.38%
100.00° - 110.00°	114.69	1.89%
110.00° - 120.00°	234.31	3.86%
120.00° - 130.00°	327.49	5.39%
130.00° - 140.00°	376.96	6.21%
140.00° - 150.00°	368.49	6.07%
150.00° - 160.00°	299.84	4.94%
160.00° - 170.00°	191.42	3.15%
170.00° - 180.00°	69.06	1.14%
0.00° - 90.00°	4,065.30	66.96%
90.00° - 180.00°	2,005.57	33.04%
0.00° - 180.00°	6,070.87	100.00%