

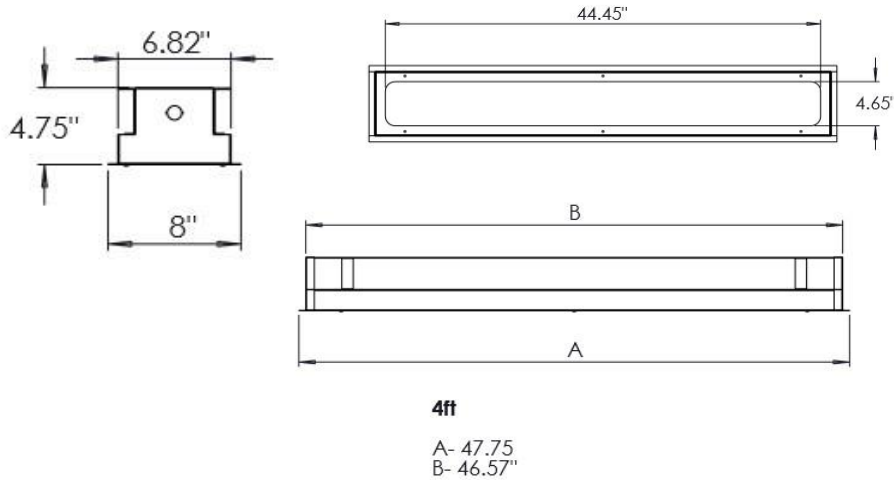
PROJECT:

NOTES:

ORDERING INFORMATION:

**EXAMPLE** MRGL - 4F - T - 100 - 9 - 40 - H1 - MV - EM - CL6 - DM  
 SERIES      NOM. LENGTH      MOUNTING      LUMENS      CRI      KELVINS      LENS      VOLTAGE      OPTIONS      CONTROLS      DRIVER

SHOP DRAWINGS



ORDERING INFORMATION

**SERIES**  
 MRGL

**KELVIN**  
 30      3000K  
 35      3500K  
 40      4000K  
 50      5000K  
 TW      Tunable White

**NOMINAL LENGTH**  
 (X)F      Number of feet (length)\*  
 \*Minimum of 2ft and maximum of 8ft  
 (If not standard 4ft, contact manufacture for shop drawing and lumen outputs)

**LENS**  
 H1      White Opal Acrylic  
 A0      Acrylic K12  
 L1      Frosted Acrylic  
 H5M1      Clear Poly and White Opal Overlay

**MOUNTING**  
 T      T-Bar  
 F      Flange

**VOLTAGE**  
 MV      120-277V  
 347      347V

**LUMENS**  
 50      500 Lumens Per Foot  
 75      750 Lumens Per Foot  
 100      1000 Lumens Per Foot  
 150      1500 Lumens Per Foot  
 \*Other lumen packages available

**OPTIONS**  
 AM      Anti-Microbial Paint  
 EM      Emergency Power Pack  
 CC      COI Compliant  
 RF      RFI Filter (available in 120-277V)  
 NL      Amber LED night light

**CRI**  
 BLANK      80 CRI  
 9      90 CRI

**CONTROLS**  
 BLANK      None  
 Click on the following link for control options:  
<https://bit.ly/2KzMuAx>

**DRIVER**  
 BLANK      Non-dimming applications  
 DM      Dimming applications  
 Click on the following link for special driver options:  
<https://bit.ly/2FqZ6qU>

FEATURES

- > Specification-grade patient room linear LED luminaire for healthcare applications
- > Robust design with lens tightly secured by double-frame fastened internally with multiple screws
- > Features modern rectangle lens with rounded edges for visual comfort and efficiency
- > Minimum 80 CRI; color range 3000K - 5000K available
- > Fully gasketed fixture
- > 90 CRI Optional
- > COI Compliant Optional
- > Anti-microbial paint optional
- > Multiple dimming protocols available
- > IP65 for recessed applications\*
- > Gasketed stainless steel screws
- > 100% made in Canada

\* Faceplate is sealed with multiple gaskets and luminaire is IP65 certified as providing protection against dust and water entering the luminaire through the faceplate in a recessed application. Note that the housing (which is designed to be recessed into ceiling and is not visible once installed) does not provide ingress protection against dust and water entering the luminaire from the plenum.

APPLICATIONS

- > Hospitals
- > Nursing Homes
- > Medical Clinics

## FIXTURE PERFORMANCE DATA

## SPECIFICATIONS

**Housing** – Precision die-formed 20-gauge C.R.S. with continuously welded end plates

**Door Frame** – Single piece precision die formed frame with fasteners that secure door frame to housing

**Lens (standard)** – 0.125" white opal acrylic lens. Secured with internal frame that is fastened internally to door frame with multiple screws

**Finish** – Baked white enamel powder finish applied post production on all surfaces for smooth edges and safe handling. Anti-microbial finish optional.

**Electrical** – High quality mid-power LED boards. L70>72,000 hours reported / 129,200 hours calculated at maximum allowable output current. L85>50,000 hours

**Mounting** – Recessed (plaster or T-Bar ceiling). We strongly recommend to add wire hangers on each earthquake clips/brackets (see fixture details)

**Listings** –

- IP65
- cUL certified as luminaire suitable for dry or damp locations.

**Warranty** – 5-year limited warranty

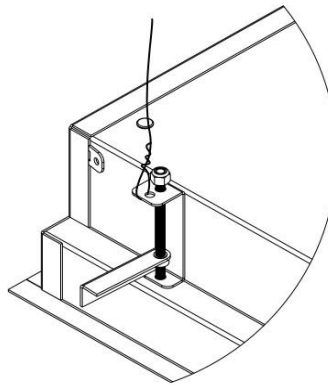
LED PACKAGE	DELIVERED LUMENS	WATTAGE	EFFICACY (lm/W)
4 FT			
500 lm / ft	2,013	18	111
1000 lm / ft	4,020	41	98
1500 lm / ft	6,085	68	90

\*Results based on 4000K, 80 CRI, H1 White Opal Lens

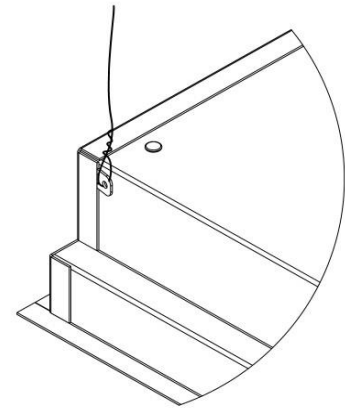
MULTIPLIER TABLE	
COLOR TEMPERATURE	
CCT/CRI	CONVERSION FACTOR
3000K / 80 CRI	0.95
3500K / 80 CRI	0.97
4000K / 80 CRI	1
5000K / 80 CRI	1.03

## FIXTURE DETAILS

Hanging brackets to secure housing to structure (wires not supplied by PA-CO)



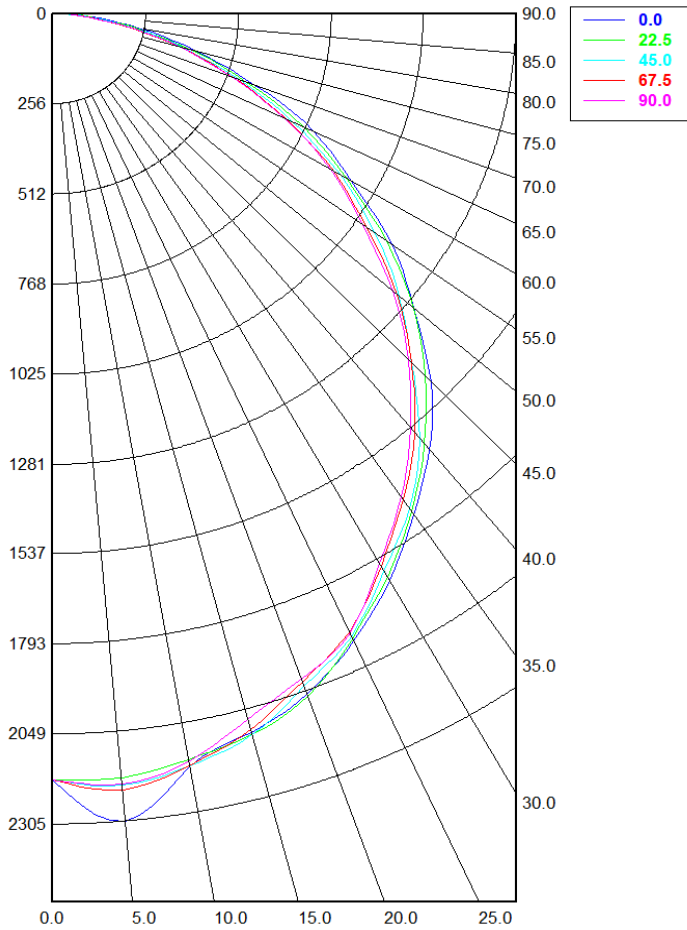
Plaster ceiling / Flange



T-Bar

PHOTOMETRY

MRGL-4F-T-150-40-H1-MV Total Luminaire Output: 6,085 lumens; 68 Watts



**Candela Distribution**

	0.00°	22.50°	45.00°	67.50°	90.00°
0.00°	2,179.18	2,179.18	2,179.18	2,179.18	2,179.18
5.00°	2,305.45	2,182.39	2,204.34	2,216.49	2,199.98
10.00°	2,176.81	2,155.15	2,173.08	2,173.11	2,161.18
15.00°	2,116.92	2,123.63	2,125.03	2,109.18	2,078.83
20.00°	2,058.70	2,064.33	2,034.44	2,020.33	2,013.67
25.00°	1,968.67	1,961.88	1,954.71	1,939.97	1,943.75
30.00°	1,864.60	1,851.56	1,834.23	1,817.71	1,808.45
35.00°	1,741.08	1,731.25	1,721.10	1,689.53	1,680.78
40.00°	1,620.55	1,600.02	1,578.55	1,558.10	1,539.52
45.00°	1,479.80	1,456.70	1,406.16	1,403.83	1,390.93
50.00°	1,304.56	1,302.83	1,252.53	1,244.50	1,228.93
55.00°	1,149.19	1,127.13	1,090.66	1,061.45	1,046.67
60.00°	952.99	939.29	917.09	895.30	884.83
65.00°	796.16	763.47	732.30	713.08	707.30
70.00°	594.67	569.64	548.29	529.50	522.12
75.00°	409.45	389.59	370.69	358.64	358.26
80.00°	246.40	226.07	213.13	199.21	202.76
85.00°	104.22	92.15	85.93	77.55	73.78
90.00°	16.80	13.85	8.88	7.15	6.52

**Zonal Lumen Summary**

Zone	Lumens	% Fixture
0.00° - 10.00°	221.96	3.65%
10.00° - 20.00°	594.17	9.76%
20.00° - 30.00°	895.03	14.71%
30.00° - 40.00°	1,068.29	17.55%
40.00° - 50.00°	1,096.65	18.02%
50.00° - 60.00°	975.08	16.02%
60.00° - 70.00°	727.52	11.95%
70.00° - 80.00°	399.17	6.56%
80.00° - 90.00°	108.12	1.78%
90.00° - 100.00°	2.85	0.05%
100.00° - 110.00°	0.00	0.00%
110.00° - 120.00°	0.00	0.00%
120.00° - 130.00°	0.00	0.00%
130.00° - 140.00°	0.00	0.00%
140.00° - 150.00°	0.00	0.00%
150.00° - 160.00°	0.00	0.00%
160.00° - 170.00°	0.00	0.00%
170.00° - 180.00°	0.00	0.00%
0.00° - 90.00°	6,085.99	100.00%
90.00° - 180.00°	2.85	0.05%
0.00° - 180.00°	6,085.99	100.00%

**Spacing Criterion:**

Two luminaires, plane 0°	1.26
Two luminaires, plane 90°	1.23
Four luminaires	1.35

