

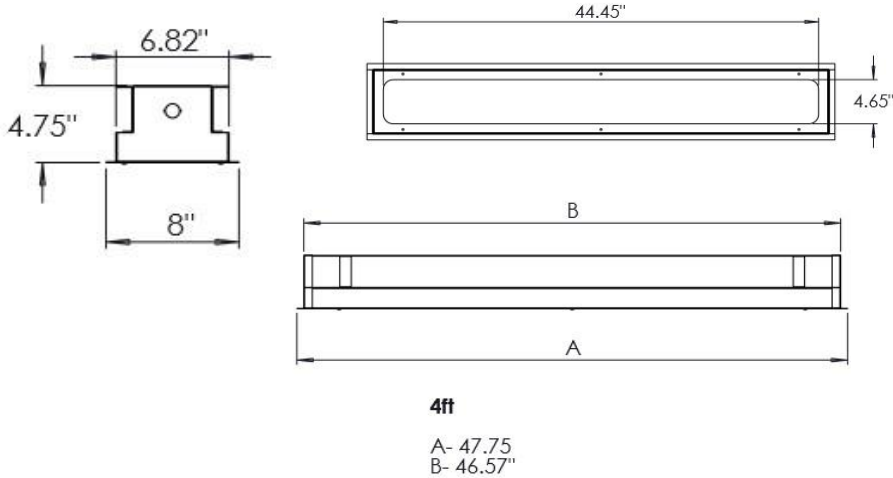
PROJECT:

NOTES:

ORDERING INFORMATION:

EXAMPLE MRGL - 4F - T - 40 - 9 - 40 - H1 - MV - EM - CL6 - DM
 SERIES NOM. LENGTH MOUNTING LUMENS CRI KELVINS LENS VOLTAGE OPTIONS CONTROLS DRIVER

SHOP DRAWINGS



MADE IN CANADA
FAIT AU CANADA

ORDERING INFORMATION

SERIES
MRGL

KELVIN
 30 3000K
 35 3500K
 40 4000K
 50 5000K
 TW Tunable White

NOMINAL LENGTH
 (X)F Number of feet (length)*
 *Minimum of 2ft and maximum of 8ft
 (If not standard 4ft, contact manufacture for shop drawing and lumen outputs)

LENS
 H1 White Opal Acrylic
 A0 Acrylic K12
 L1 Frosted Acrylic
 H5M1 Clear Poly and White Opal Overlay

MOUNTING
 T T-Bar
 F Flange

VOLTAGE
 MV 120-277V
 347 347V

LUMENS

Lumen Package*	Nom. Lumens	Wattage
4ft		
20	2,000	18
40	4,000	41
60	6,000	68

OPTIONS
 AM Anti-Microbial Paint
 EM Emergency Power Pack
 CC COI Compliant
 RF RFI Filter (available in 120-277V)
 NL Amber LED night light

*Other lumen packages available

CRI
 BLANK 80 CRI
 9 90 CRI

CONTROLS
 BLANK None
 Click on the following link for control options:
<https://bit.ly/2KzMuAx>

DRIVER
 BLANK Non-dimming applications
 DM Dimming applications
 Click on the following link for special driver options:
<https://bit.ly/2FqZ6qU>

FEATURES

- > Specification-grade patient room linear LED luminaire for healthcare applications
- > Robust design with lens tightly secured by double-frame fastened internally with multiple screws
- > Features modern rectangle lens with rounded edges for visual comfort and efficiency
- > Minimum 80 CRI; color range 3000K - 5000K available
- > Fully gasketed fixture
- > 90 CRI Optional
- > COI Compliant Optional
- > Anti-microbial paint optional
- > Multiple dimming protocols available
- > IP65 for recessed applications*
- > Gasketed stainless steel screws
- > 100% made in Canada

* Faceplate is sealed with multiple gaskets and luminaire is IP65 certified as providing protection against dust and water entering the luminaire through the faceplate in a recessed application. Note that the housing (which is designed to be recessed into ceiling and is not visible once installed) does not provide ingress protection against dust and water entering the luminaire from the plenum.

APPLICATIONS

- > Hospitals
- > Nursing Homes
- > Medical Clinics

FIXTURE PERFORMANCE DATA

SPECIFICATIONS

Housing – Precision die-formed 20-gauge C.R.S. with continuously welded end plates

Door Frame – Single piece precision die formed frame with fasteners that secure door frame to housing

Lens (standard) – 0.125" white opal acrylic lens. Secured with internal frame that is fastened internally to door frame with multiple screws

Finish – Baked white enamel powder finish applied post production on all surfaces for smooth edges and safe handling. Anti-microbial finish optional.

Electrical – High quality mid-power LED boards. L70>72,000 hours reported / 129,200 hours calculated at maximum allowable output current. L85>50,000 hours

Mounting – Recessed (plaster or T-Bar ceiling). We strongly recommend to add wire hangers on each earthquake clips/brackets (see fixture details)

Listings –

- IP65
- cUL certified as luminaire suitable for dry or damp locations.

Warranty – 5-year limited warranty

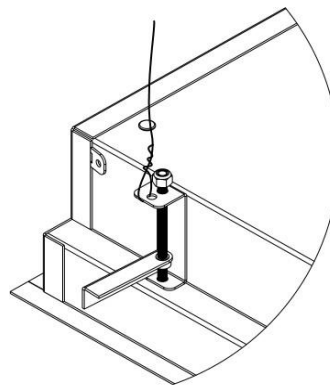
LED PACKAGE	DELIVERED LUMENS	WATTAGE	EFFICACY (lm/W)
4 FT			
20	2,013	18	111
40	4,020	41	98
60	6,085	68	90

*Results based on 4000K, 80 CRI, H1 White Opal Lens

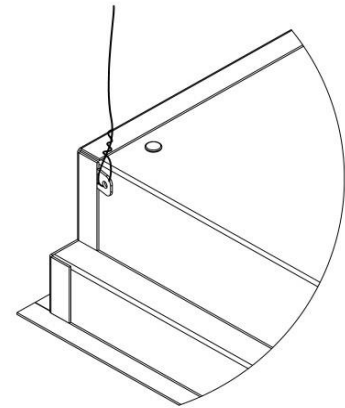
MULTIPLIER TABLE	
COLOR TEMPERATURE	
CCT/CRI	CONVERSION FACTOR
3000K / 80 CRI	0.95
3500K / 80 CRI	0.97
4000K / 80 CRI	1
5000K / 80 CRI	1.03

FIXTURE DETAILS

Hanging brackets to secure housing to structure (wires not supplied by PA-CO)



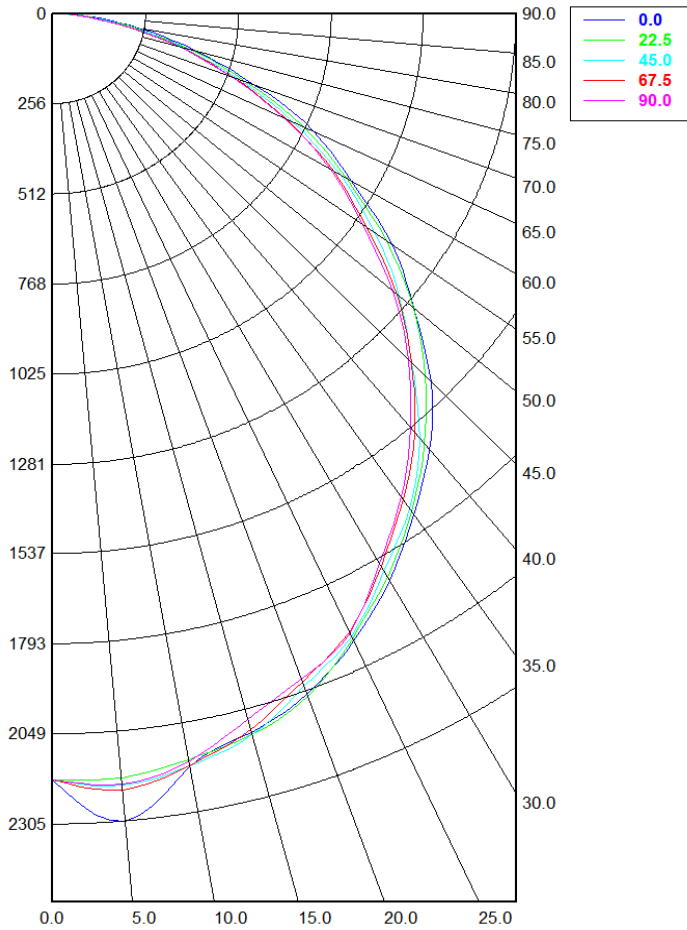
Plaster ceiling / Flange



T-Bar

PHOTOMETRY

MRGL-T-60-40-H1-MV Total Luminaire Output: 6,085 lumens; 68 Watts



Candela Distribution

	0.00°	22.50°	45.00°	67.50°	90.00°
0.00°	2,179.18	2,179.18	2,179.18	2,179.18	2,179.18
5.00°	2,305.45	2,182.39	2,204.34	2,216.49	2,199.98
10.00°	2,176.81	2,155.15	2,173.08	2,173.11	2,161.18
15.00°	2,116.92	2,123.63	2,125.03	2,109.18	2,078.83
20.00°	2,058.70	2,064.33	2,034.44	2,020.33	2,013.67
25.00°	1,968.67	1,961.88	1,954.71	1,939.97	1,943.75
30.00°	1,864.60	1,851.56	1,834.23	1,817.71	1,808.45
35.00°	1,741.08	1,731.25	1,721.10	1,689.53	1,680.78
40.00°	1,620.55	1,600.02	1,578.55	1,558.10	1,539.52
45.00°	1,479.80	1,456.70	1,406.16	1,403.83	1,390.93
50.00°	1,304.56	1,302.83	1,252.53	1,244.50	1,228.93
55.00°	1,149.19	1,127.13	1,090.66	1,061.45	1,046.67
60.00°	952.99	939.29	917.09	895.30	884.83
65.00°	796.16	763.47	732.30	713.08	707.30
70.00°	594.67	569.64	548.29	529.50	522.12
75.00°	409.45	389.59	370.69	358.64	358.26
80.00°	246.40	226.07	213.13	199.21	202.76
85.00°	104.22	92.15	85.93	77.55	73.78
90.00°	16.80	13.85	8.88	7.15	6.52

Zonal Lumen Summary

Zone	Lumens	% Fixture
0.00° - 10.00°	221.96	3.65%
10.00° - 20.00°	594.17	9.76%
20.00° - 30.00°	895.03	14.71%
30.00° - 40.00°	1,068.29	17.55%
40.00° - 50.00°	1,096.65	18.02%
50.00° - 60.00°	975.08	16.02%
60.00° - 70.00°	727.52	11.95%
70.00° - 80.00°	399.17	6.56%
80.00° - 90.00°	108.12	1.78%
90.00° - 100.00°	2.85	0.05%
100.00° - 110.00°	0.00	0.00%
110.00° - 120.00°	0.00	0.00%
120.00° - 130.00°	0.00	0.00%
130.00° - 140.00°	0.00	0.00%
140.00° - 150.00°	0.00	0.00%
150.00° - 160.00°	0.00	0.00%
160.00° - 170.00°	0.00	0.00%
170.00° - 180.00°	0.00	0.00%
0.00° - 90.00°	6,085.99	100.00%
90.00° - 180.00°	2.85	0.05%
0.00° - 180.00°	6,085.99	100.00%

Spacing Criterion:

Two luminaires, plane 0°	1.26
Two luminaires, plane 90°	1.23
Four luminaires	1.35

