

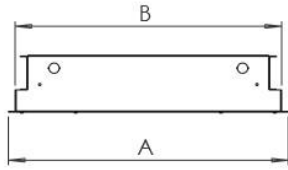
PROJECT:

NOTES:

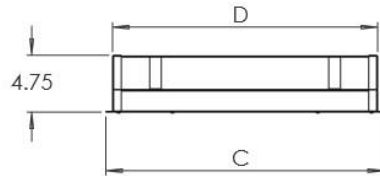
ORDERING INFORMATION:

EXAMPLE MRP4 - 24 - T - A2 - E3 - PB - MV - EM - CL6 - DM
 SERIES LENGTH MOUNTING AMBIENT EXAM DIFFUSER VOLTAGE OPTIONS CONTROLS DRIVER

SHOP DRAWINGS



2x2
 A - 23.75"
 B - 22.65"
 C - 23.75"
 D - 22.57"



2x4
 A - 23.75"
 B - 22.65"
 C - 47.75"
 D - 46.57"



ORDERING INFORMATION

SERIES
 MRP4

NOMINAL LENGTH
 22 24" x 24"
 24 24" x 48"

MOUNTING
 T T-Bar
 F Flange

AMBIENT (Lumens, TempK, CRI)
 See page 2 and use code to specify the ambient compartment.
 Ex: A2 = 3000 lm, 3500K, 80 CRI

EXAM (Lumens, TempK, CRI)
 See page 2 and use code to specify the exam compartment.
 Ex: E3 = 6000 lm, 4000K, 80 CRI

DIFFUSER (Center ambient)
 BLANK Acrylic Ribbed Lens
 PB Perforated Basket

VOLTAGE
 MV 120-277V
 347 347V

OPTIONS
 AM Anti-Microbial Paint
 EM Emergency Power Pack
 CC COI Compliant
 RF RFI Filter (available in 120-277V)
 NL Amber LED night light (500 lumens)
 NLR Red LED night light (500 lumens)

CONTROLS
 BLANK None
 LV* Low Voltage Relay Ready (Patient Controlled)
 Click on the following link for control options:
<https://bit.ly/2KzMuAx>

*Remote control not supplied by PA-CO

DRIVER
 BLANK Non-dimming applications
 DM 0-10V dimming
 DA DALI driver
 Click on the following link for special driver options:
<https://bit.ly/2FqZ6qU>

FEATURES

- > Specification-grade LED luminaire designed for patient room healthcare applications
- > Features ambient and exam light compartments
- > Robust design with polycarbonate lens tightly secured by internal angle frame fastened internally with multiple screws
- > Minimum 80 CRI; color range 3000K - 5000K available
- > Gasketed stainless steel screws
- > Optional 90 CRI
- > Optional COI Compliant
- > Optional anti-microbial paint
- > Multiple dimming protocols available
- > IP65 for recessed applications
- > 100% made in Canada

* Faceplate is sealed with multiple gaskets and luminaire is IP65 certified as providing protection against dust and water entering the luminaire through the faceplate in a recessed application. Note that the housing (which is designed to be recessed into ceiling and is not visible once installed) does not provide ingress protection against dust and water entering the luminaire from the plenum.

APPLICATIONS

- > Hospitals
- > Nursing Homes
- > Medical Clinics

LUMEN PACKAGES

AMBIENT			
CODE	LUMENS	TEMP K	CRI
A1	3,000	3,000	80
A2	3,000	3,500	80
A3	3,000	4,000	80
A4	3,000	3,000	90
A5	3,000	3,500	90
A6	3,000	4,000	90
A7	4,000	3,000	80
A8	4,000	3,500	80
A9	4,000	4,000	80
A10	4,000	3,000	90
A11	4,000	3,500	90
A12	4,000	4,000	90
A13	6,000	3,000	80
A14	6,000	3,500	80
A15	6,000	4,000	80
A16	6,000	3,000	90
A17	6,000	3,500	90
A18	6,000	4,000	90
TW*	TUNABLE WHITE		
C	CUSTOM LED PACKAGES		

*Confirm protocol the TW will be controlled with

EXAM			
CODE	LUMENS	TEMP K	CRI
E1	6,000	3,500	80
E2	6,000	4,000	80
E3	6,000	5,000	80
E4	6,000	3,500	90
E5	6,000	4,000	90
E6	6,000	5,000	90
E7	7,000	3,500	80
E8	7,000	4,000	80
E9	7,000	5,000	80
E10	7,000	3,500	90
E11	7,000	4,000	90
E12	7,000	5,000	90
C	CUSTOM LED BOARDS		

LED

FIXTURE PERFORMANCE DATA

SPECIFICATIONS

Housing – Precision die-formed 20-gauge C.R.S. housing and end plates

Door Frame – Single piece precision die formed frame with fasteners that secure door frame to housing

Security Lens – 0.125" clear polycarbonate lens retained by internal angle frame that is fastened internally to door frame with multiple screws

Diffuser – *Exam compartment:* white opal lens
Ambient compartment: frosted central acrylic ribbed lens

Finish – Baked white enamel powder finish applied post production on all surfaces for smooth edges and safe handling. Anti-microbial finish optional.

Electrical – High quality mid-power LED boards. L70 >72,000 hours reported / 95,140 hours calculated at maximum allowable output current. L85 >50,000 hours.

Mounting – Recessed (T-bar or plaster ceiling). We strongly recommend to add wire hangers on each earthquake clips/brackets (see fixture details)

Listings –

- IP65
- cUL certified as luminaire suitable for dry or damp locations.

Warranty – 5-year limited warranty

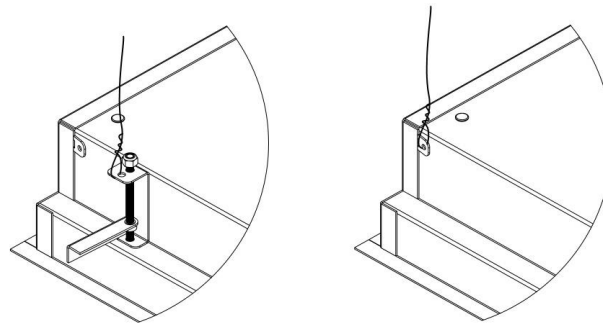
LED PACKAGE	DELIVERED LUMENS	WATTAGE	EFFICACY (lm/W)
PACKAGE 1			
AMBIENT (3,000 lm)	3,228	24	134
EXAM (4,000 lm)	4,244	44	96
AMBIENT/EXAM (7,000 lm)	7,453	68	110
PACKAGE 2			
AMBIENT (4,000 lm)	4,184	35	119
EXAM (7,000 lm)	7,290	77	95
AMBIENT/EXAM (11,000 lm)	11,536	112	103
PACKAGE 3			
AMBIENT (6,000 lm)	6,319	53	119
EXAM (7,000 lm)	7,290	77	95
AMBIENT/EXAM (13,000 lm)	13,752	130	105

*Results based on 4000K, 80 CRI

COLOR TEMPERATURE	
CCT/CRI	CONVERSION FACTOR
3000K / 80 CRI	0.95
3500K / 80 CRI	0.97
4000K / 80 CRI	1
5000K / 80 CRI	1.03

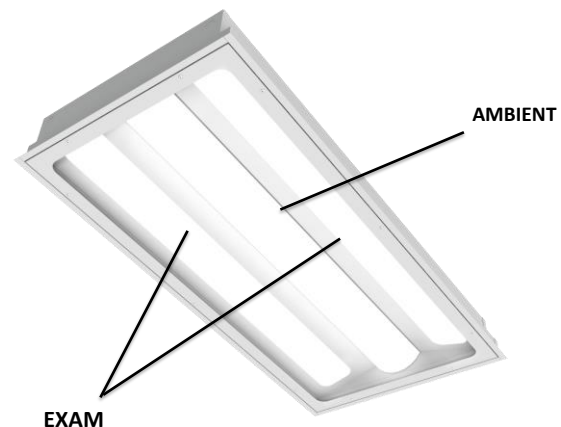
FIXTURE DETAILS

Hanging brackets to secure housing to structure (wires not supplied by PA-CO)



Plaster ceiling / Flange

T-Bar

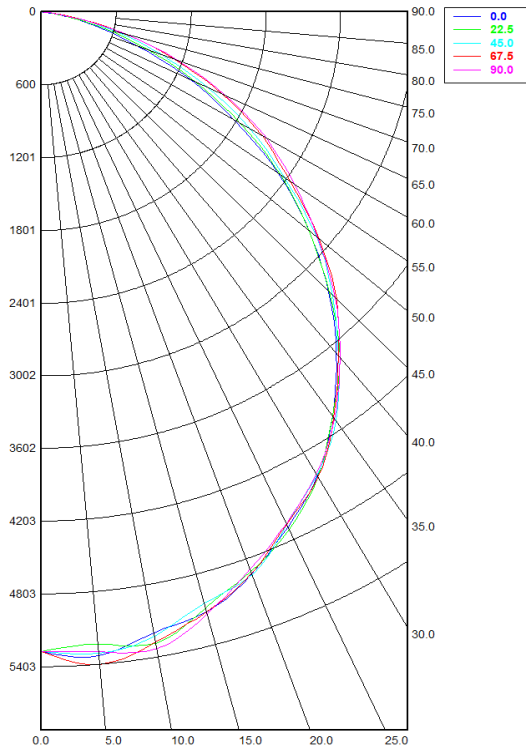


EXAM

AMBIENT

PHOTOMETRY

MRP4-60A-70E-4000K-MV Total Luminaire Output: 13,752 lumens; 130 Watts



Candela Distribution

	0.00°	22.50°	45.00°	67.50°	90.00°
0.00°	5,276.70	5,276.70	5,276.70	5,276.70	5,276.70
5.00°	5,333.55	5,236.93	5,312.36	5,403.34	5,302.42
10.00°	5,201.22	5,289.43	5,229.68	5,281.54	5,336.21
15.00°	5,125.79	5,089.60	5,053.64	5,123.48	5,142.36
20.00°	4,933.14	4,913.56	4,940.06	4,930.18	4,894.86
25.00°	4,689.06	4,712.44	4,667.36	4,664.27	4,658.16
30.00°	4,429.95	4,437.35	4,420.11	4,440.21	4,408.75
35.00°	4,076.57	4,073.50	4,120.03	4,094.09	4,100.92
40.00°	3,685.15	3,727.18	3,712.86	3,711.05	3,729.64
45.00°	3,263.51	3,266.98	3,306.63	3,351.74	3,339.32
50.00°	2,806.97	2,808.42	2,885.57	2,911.33	2,895.60
55.00°	2,327.17	2,349.27	2,392.52	2,447.76	2,487.91
60.00°	1,794.06	1,847.23	1,940.58	2,041.31	2,083.58
65.00°	1,318.31	1,365.02	1,476.50	1,597.41	1,632.29
70.00°	828.59	912.22	1,015.80	1,141.24	1,159.45
75.00°	460.05	525.47	633.75	702.23	692.26
80.00°	197.10	233.17	277.87	294.26	281.66
85.00°	48.19	63.52	70.97	67.30	65.34
90.00°	4.13	5.75	7.09	6.52	7.85

Spacing Criterion:

Two luminaires, plane 0°	1.24
Two luminaires, plane 90°	1.24
Four luminaires	1.33

Zonal Lumen Summary

Zone	Lumens	% Fixture
0.00° - 10.00°	536.28	3.95%
10.00° - 20.00°	1,435.84	10.58%
20.00° - 30.00°	2,152.56	15.86%
30.00° - 40.00°	2,548.53	18.78%
40.00° - 50.00°	2,537.37	18.69%
50.00° - 60.00°	2,139.55	15.76%
60.00° - 70.00°	1,457.07	10.74%
70.00° - 80.00°	654.76	4.82%
80.00° - 90.00°	107.52	0.79%
90.00° - 100.00°	1.79	0.01%
100.00° - 110.00°	0.13	0.00%
110.00° - 120.00°	0.13	0.00%
120.00° - 130.00°	0.15	0.00%
130.00° - 140.00°	0.16	0.00%
140.00° - 150.00°	0.20	0.00%
150.00° - 160.00°	0.19	0.00%
160.00° - 170.00°	0.17	0.00%
170.00° - 180.00°	0.05	0.00%
0.00° - 90.00°	13,569.48	99.98%
90.00° - 180.00°	2.97	0.02%
0.00° - 180.00°	13,572.46	100.00%