

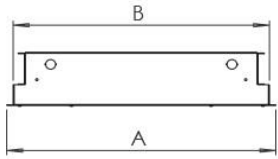
PROJECT:

NOTES:

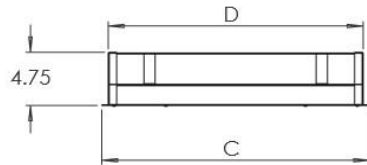
ORDERING INFORMATION:

EXAMPLE MRGA1- M - 24 - F - 10R40E - 9 - 40 - M4 - MV - AM - CL6 - DM
 SERIES SECURITY NOMINAL LENGTH MOUNTING LUMENS CRI KELVINS LENS VOLTAGE OPTIONS CONTROLS DRIVER

SHOP DRAWINGS



2x2
 A - 23.75"
 B - 22.65"
 C - 23.75"
 D - 22.57"



2x4
 A - 23.75"
 B - 22.65"
 C - 47.75"
 D - 46.57"



MADE IN CANADA
 FAIT AU CANADA

ORDERING INFORMATION

SERIES
 MRGA1

SECURITY LEVEL
 H Heavy (14 gauge)
 M Medium (16 gauge)
 L Light (18 gauge)

NOMINAL LENGTH
 22 24"x 24"
 24 24"x 48"

MOUNTING
 T T-Bar
 F Flange

LUMENS

Lumen Package*	Nom. Lumens	Wattage
24" x 24"		
30	3,000	28
50	5,000	42
24" x 48"		
40	4,000	36
60	6,000	60

*Other lumen packages available

CRI
 BLANK 80 CRI
 9 90 CRI

KELVIN
 30 3000K
 35 3500K
 40 4000K
 50 5000K
 TW Tunable White

LENS
 M1 Clear Polycarbonate (0.125")
 M3 Clear Polycarbonate (0.187")
 M4 Clear Polycarbonate (0.250")
 M5 Clear Polycarbonate (0.375")

LENS
 MV 120-277V
 347 347V

OPTIONS
 AM Anti-Microbial Paint
 EM Emergency Power Pack
 PB Perforated Basket
 CC COI Compliant
 RF RFI Filter (available in 120-277V)
 NL Amber LED night light

CONTROLS
 BLANK None

Click on the following link for control options:
<https://bit.ly/2KzMuAx>

DRIVER
 BLANK Non-dimming applications
 DM Dimming applications
 Click on the following link for special driver options:
<https://bit.ly/2FqZ6qU>

FEATURES

- > Specification-grade patient room LED luminaire for anti-vandal healthcare applications
- > Provides low-glare direct and indirect light distribution for primary ambient lighting
- > Robust design with security lens tightly secured by double-frame fastened internally with multiple screws
- > Door frame fastened with TORX tamper resistant screws
- > Welded housing for additional structural strength
- > Minimum 80 CRI; color range 3000K - 5000K available
- > 90 CRI Optional
- > Anti-microbial paint optional
- > Multiple dimming protocols available
- > Fully gasketed fixture
- > IP65 for recessed applications*
- > Efficacies up to 117 lm/W
- > 100% made in Canada

* Faceplate is sealed with multiple gaskets and luminaire is IP65 certified as providing protection against dust and water entering the luminaire through the faceplate in a recessed application. Note that the housing (which is designed to be recessed into ceiling and is not visible once installed) does not provide ingress protection against dust and water entering the luminaire from the plenum.

APPLICATIONS

- > Hospitals
- > Behavioral Healthcare Facilities
- > Rehabilitation Centers

LED

FIXTURE PERFORMANCE DATA

SPECIFICATIONS

Housing – Precision die-formed 14, 16 or 18-gauge C.R.S. with continuously welded end plates

Door Frame – Single piece precision die formed frame with tamper-resistant fasteners that secure door frame to housing

Security Lens – Variety of robust polycarbonate lenses available. Secured with internal frame that is fastened internally to door frame with multiple screws

Finish – Baked white enamel powder finish applied post production on all surfaces for smooth edges and safe handling. Anti-microbial finish optional.

Electrical – High quality mid-power LED boards. L85 >50,000 hours.

Mounting – Recessed (plaster or T-Bar ceiling). We strongly recommend to add wire hangers on each earthquake clips/brackets (see fixture details)

Listings –

- IP65
- cUL certified as luminaire suitable for dry or damp locations.

Warranty – 5-year limited warranty

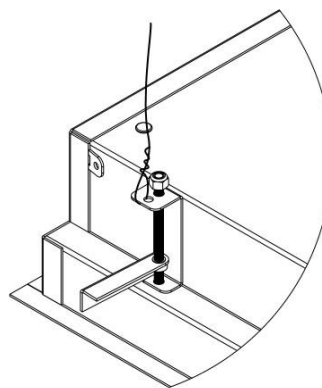
LED PACKAGE	DELIVERED LUMENS	WATTAGE	EFFICACY (lm/W)
24" x 24"			
30	3,082	28	110
50	4,910	42	117
24" x 48"			
40	4,113	36	114
60	6,139	60	102

*Results based on 4000K, 80 CRI, Acrylic ribbed diffuser

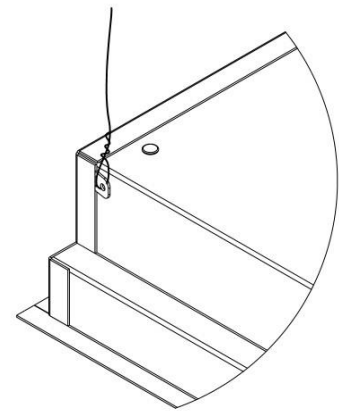
MULTIPLIER TABLE	
COLOR TEMPERATURE	
CCT/CRI	CONVERSION FACTOR
3000K / 80 CRI	0.95
3500K / 80 CRI	0.97
4000K / 80 CRI	1
5000K / 80 CRI	1.03

FIXTURE DETAILS

Hanging brackets to secure housing to structure (wires not supplied by PA-CO)



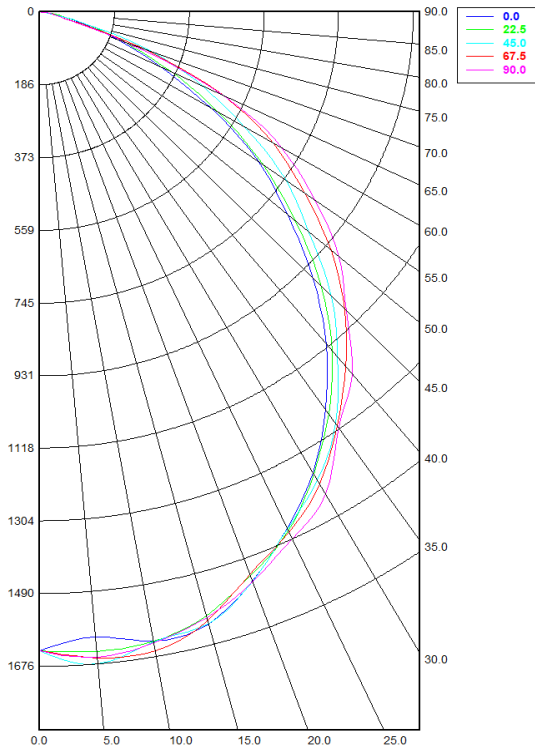
Plaster ceiling / Flange



T-Bar

PHOTOMETRY

MRGA1-M-24-F-40-40-M4-MV, Total Luminaire Output: 4,113 lumens; 36 watts



Candela Distribution

	0.00°	22.50°	45.00°	67.50°	90.00°
0.00°	1,681.65	1,681.65	1,681.65	1,681.65	1,681.65
5.00°	1,642.24	1,685.40	1,644.36	1,653.68	1,684.17
10.00°	1,661.92	1,627.56	1,644.99	1,672.84	1,659.77
15.00°	1,580.30	1,587.99	1,597.92	1,610.64	1,620.21
20.00°	1,547.05	1,536.10	1,552.93	1,540.75	1,545.52
25.00°	1,456.66	1,470.31	1,480.49	1,478.92	1,493.28
30.00°	1,348.08	1,367.28	1,386.58	1,408.04	1,406.31
35.00°	1,255.36	1,257.83	1,284.84	1,296.48	1,309.33
40.00°	1,113.11	1,126.68	1,171.16	1,190.79	1,210.82
45.00°	957.03	986.12	1,022.42	1,079.51	1,094.46
50.00°	814.26	828.88	887.29	950.20	963.64
55.00°	649.91	669.96	732.70	813.52	839.82
60.00°	486.08	513.74	592.85	678.88	693.28
65.00°	343.58	363.75	445.61	501.27	497.38
70.00°	200.20	224.87	296.28	272.26	236.10
75.00°	106.04	122.38	128.57	82.16	64.37
80.00°	41.25	48.04	37.49	35.07	31.80
85.00°	10.81	14.75	13.04	15.00	14.24
90.00°	0.97	1.47	1.48	1.63	1.94

Spacing Criterion:

Two luminaires, plane 0°	1.19
Two luminaires, plane 90°	1.24
Four luminaires	1.32

Zonal Lumen Summary

Zone	Lumens	% Fixture
0.00° - 10.00°	168.04	4.09%
10.00° - 20.00°	450.21	10.95%
20.00° - 30.00°	676.45	16.45%
30.00° - 40.00°	797.13	19.38%
40.00° - 50.00°	790.05	19.21%
50.00° - 60.00°	659.93	16.04%
60.00° - 70.00°	421.06	10.24%
70.00° - 80.00°	131.10	3.19%
80.00° - 90.00°	18.57	0.45%
90.00° - 100.00°	0.43	0.01%
100.00° - 110.00°	0.02	0.00%
110.00° - 120.00°	0.02	0.00%
120.00° - 130.00°	0.03	0.00%
130.00° - 140.00°	0.04	0.00%
140.00° - 150.00°	0.04	0.00%
150.00° - 160.00°	0.05	0.00%
160.00° - 170.00°	0.05	0.00%
170.00° - 180.00°	0.02	0.00%
0.00° - 90.00°	4,112.54	99.98%
90.00° - 180.00°	0.69	0.02%
0.00° - 180.00°	4,113.23	100.00%