

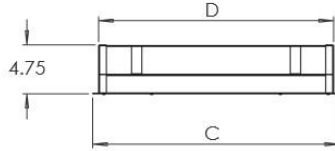
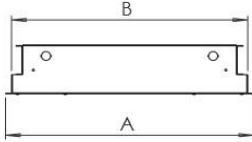
PROJECT:

NOTES:

ORDERING INFORMATION:

**EXAMPLE** MRG2 - 22 - T - 40 - 9 - 40 - H1 - MV - EM - CL6 - DM  
 SERIES      NOM. LENGTH      MOUNTING      LUMENS      CRI      KELVINS      LENS      VOLTAGE      OPTIONS      CONTROLS      DRIVER

SHOP DRAWINGS



1x4

A - 11.75"  
 B - 10.65"  
 C - 47.75"  
 D - 46.57"

2x2

A - 23.75"  
 B - 22.65"  
 C - 23.75"  
 D - 22.57"

2x4

A - 23.75"  
 B - 22.65"  
 C - 47.75"  
 D - 46.57"



MADE IN CANADA  
 FAIT AU CANADA

ORDERING INFORMATION

**SERIES**

MRG2
------

**NOMINAL LENGTH**

14	12" x 48"
22	24" x 24"
24	24" x 48"

**MOUNTING**

T	T-Bar
F	Flange

LUMENS

Lumen Package*	Nom. Lumens	Wattage
<b>12" x 48"</b>		
30	3,000	30
40	4,000	43
50	5,000	56
<b>24" x 24"</b>		
30	3,000	27
40	4,000	39
50	5,000	52
<b>24" x 48"</b>		
40	4,000	35
60	6,000	53
80	8,000	74

\*Other lumen packages available

**CRI**

BLANK	80 CRI
9	90 CRI

**KELVIN**

30	3000K
35	3500K
40	4000K
50	5000K
TW	Tunable White

**LENS**

H1	White Opal Acrylic
A1	Acrylic K12
H5M1	0.125" Poly with White Opal Overlay

**VOLTAGE**

MV	120-277V
347	347V

**OPTIONS**

AM	Anti-Microbial Paint
EM	Emergency Power Pack
CC	COI Compliant (rated 2.6)
NL	Amber LED night light
NLR	Red LED night light

**CONTROLS**

BLANK      None

Click on the following link for control options:  
<https://bit.ly/2KzMuAx>

**DRIVER**

BLANK      Non-dimming applications  
 DM          Dimming applications

Click on the following link for special driver options:  
<https://bit.ly/2FqZ6qU>

FEATURES

- > Specification-grade patient room LED luminaire for healthcare applications
- > Robust design with lens tightly secured by double-frame fastened internally with multiple screws
- > Features modern square or rectangle lens with rounded edges for visual comfort and efficiency
- > Minimum 80 CRI; color range 3000K - 5000K available
- > Fully gasketed fixture
- > 90 CRI Optional
- > COI Compliant Optional
- > Anti-microbial paint optional
- > Multiple dimming protocols available
- > IP65 for recessed applications\*
- > Gasketed stainless steel screws
- > 100% made in Canada

\* Faceplate is sealed with multiple gaskets and luminaire is IP65 certified as providing protection against dust and water entering the luminaire through the faceplate in a recessed application. Note that the housing (which is designed to be recessed into ceiling and is not visible once installed) does not provide ingress protection against dust and water entering the luminaire from the plenum.

APPLICATIONS

- > Hospitals
- > Nursing Homes
- > Medical Clinics

## LED

## FIXTURE PERFORMANCE DATA

## SPECIFICATIONS

**Housing** – Precision die-formed 20-gauge C.R.S. with continuously welded end plates

**Door Frame** – Single piece precision die formed frame with fasteners that secure door frame to housing

**Lens (standard)** – 0.125" white opal acrylic lens. Secured with internal frame that is fastened internally to door frame with multiple screws

**Finish** – Baked white enamel powder finish applied post production on all surfaces for smooth edges and safe handling. Anti-microbial finish optional.

**Electrical** – High quality mid-power LED boards. L70 >72,000 hours reported / 129,200 calculated at maximum allowable output current. L85 >50,000 hours.

**Mounting** – Recessed (plaster or T-Bar ceiling). We strongly recommend to add wire hangers on each earthquake clips/brackets (see fixture details)

**Listings** –

- IP65
- cUL certified as luminaire suitable for dry or damp locations.

**Warranty** – 5-year limited warranty

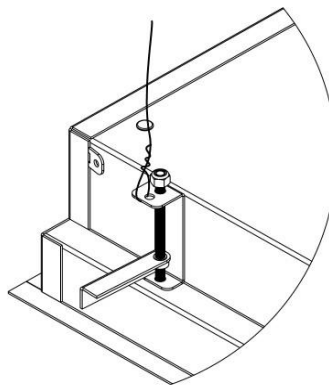
LED PACKAGE	DELIVERED LUMENS	WATTAGE	EFFICACY (lm/W)
12" x 48"			
30	3,004	30	100
40	4,100	43	95
50	5,096	56	91
24" x 24"			
30	3,012	27	111
40	4,027	39	103
50	5,092	52	97
24" x 48"			
40	4,084	35	116
60	6,020	53	113
80	8,081	74	109

\*Results based on 4000K, 80 CRI, 0.125" Clear Polycarbonate Lens and White Opal Diffuser (H5)

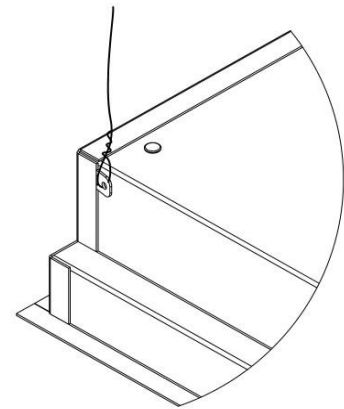
MULTIPLIER TABLE	
COLOR TEMPERATURE	
CCT/CRI	CONVERSION FACTOR
3000K / 80 CRI	0.95
3500K / 80 CRI	0.97
4000K / 80 CRI	1
5000K / 80 CRI	1.03

## FIXTURE DETAILS

Hanging brackets to secure housing to structure (wires not supplied by PA-CO)



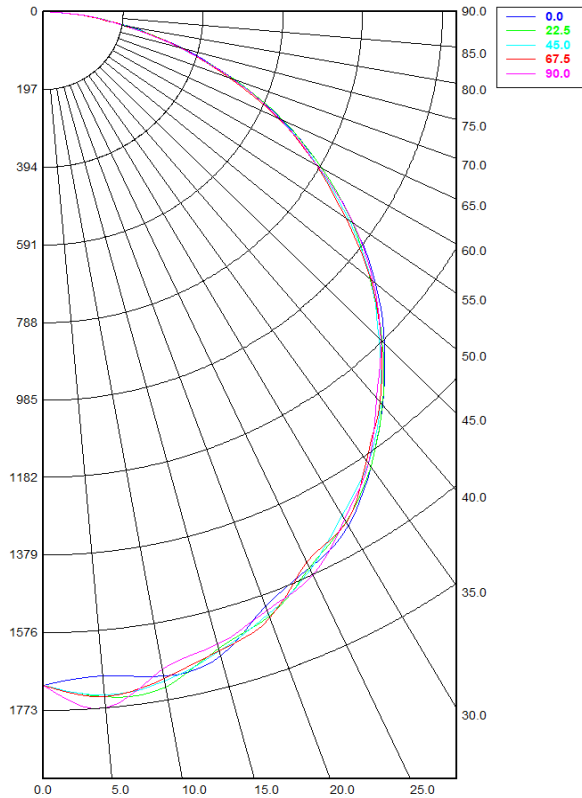
Plaster ceiling / Flange



T-Bar

PHOTOMETRY

MRG2-22-T-50-40-H1-MV Total Luminaire Output: 5,092 lumens; 52 Watts



Candela Distribution

	0.00°	22.50°	45.00°	67.50°	90.00°
0.00°	1,708.47	1,708.47	1,708.47	1,708.47	1,708.47
5.00°	1,691.98	1,744.54	1,740.84	1,744.38	1,773.10
10.00°	1,712.33	1,739.85	1,724.85	1,717.52	1,694.14
15.00°	1,692.05	1,671.00	1,679.27	1,678.86	1,661.71
20.00°	1,603.86	1,631.64	1,625.42	1,635.57	1,614.97
25.00°	1,558.31	1,557.78	1,561.33	1,540.71	1,576.74
30.00°	1,506.93	1,495.47	1,476.89	1,497.44	1,488.40
35.00°	1,409.97	1,410.03	1,399.88	1,391.29	1,399.49
40.00°	1,303.02	1,302.34	1,294.37	1,293.69	1,279.89
45.00°	1,191.18	1,183.50	1,171.61	1,178.20	1,179.20
50.00°	1,071.79	1,054.38	1,055.97	1,056.53	1,061.84
55.00°	934.98	931.60	922.99	912.56	936.21
60.00°	796.82	796.46	784.27	779.88	785.31
65.00°	649.99	654.93	644.91	639.17	643.88
70.00°	499.90	499.14	495.45	487.78	494.56
75.00°	352.67	347.08	345.82	345.90	343.56
80.00°	214.94	211.99	209.45	206.21	208.13
85.00°	96.32	97.12	95.53	94.91	97.85
90.00°	10.17	10.85	11.40	11.43	11.17

Spacing Criterion:

Two luminaires, plane 0°	1.3
Two luminaires, plane 90°	1.29
Four luminaires	1.39

Zonal Lumen Summary

Zone	Lumens	% Fixture
0.00° - 10.00°	175.29	3.44%
10.00° - 20.00°	472.14	9.27%
20.00° - 30.00°	717.45	14.09%
30.00° - 40.00°	873.28	17.15%
40.00° - 50.00°	907.65	17.82%
50.00° - 60.00°	824.87	16.20%
60.00° - 70.00°	635.63	12.48%
70.00° - 80.00°	367.66	7.22%
80.00° - 90.00°	112.17	2.20%
90.00° - 100.00°	3.16	0.06%
100.00° - 110.00°	0.36	0.01%
110.00° - 120.00°	0.53	0.01%
120.00° - 130.00°	0.57	0.01%
130.00° - 140.00°	0.52	0.01%
140.00° - 150.00°	0.57	0.01%
150.00° - 160.00°	0.47	0.01%
160.00° - 170.00°	0.35	0.01%
170.00° - 180.00°	0.12	0.00%
0.00° - 90.00°	5,086.14	99.87%
90.00° - 180.00°	6.65	0.13%
0.00° - 180.00°	5,092.79	100.00%