

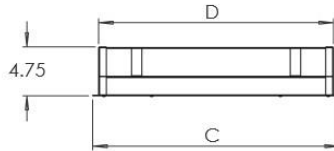
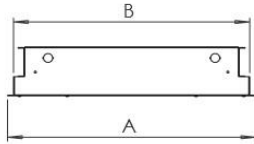
PROJECT:

NOTES:

ORDERING INFORMATION:

EXAMPLE MRG2 - 22 - T - 40 - 9 - 40 - H1 - MV - EM - CL6 - DM
 SERIES NOM. LENGTH MOUNTING LUMENS CRI KELVINS LENS VOLTAGE OPTIONS CONTROLS DRIVER

SHOP DRAWINGS



1x4

A - 11.75"
 B - 10.65"
 C - 47.75"
 D - 46.57"

2x2

A - 23.75"
 B - 22.65"
 C - 23.75"
 D - 22.57"

2x4

A - 23.75"
 B - 22.65"
 C - 47.75"
 D - 46.57"



MADE IN CANADA
 FAIT AU CANADA

ORDERING INFORMATION

SERIES
 MRG2

NOMINAL LENGTH

14	12" x 48"
22	24" x 24"
24	24" x 48"

MOUNTING

T	T-Bar
F	Flange

LUMENS

Lumen Package*	Nom. Lumens	Wattage
12" x 48"		
30	3,000	30
40	4,000	43
50	5,000	56
24" x 24"		
30	3,000	27
40	4,000	39
50	5,000	52
24" x 48"		
40	4,000	35
60	6,000	53
80	8,000	74

*Other lumen packages available

CRI

BLANK	80 CRI
9	90 CRI

KELVIN

30	3000K
35	3500K
40	4000K
50	5000K
TW	Tunable White

LENS

H1	White Opal Acrylic
A0	Acrylic K12
L1	Frosted Acrylic
H5M1	0.125" Poly with White Opal Overlay

VOLTAGE

MV	120-277V
347	347V

OPTIONS

AM	Anti-Microbial Paint
EM	Emergency Power Pack
CC	COI Compliant (rated 2.6)
RF	RFI Filter (available in 120-277V)
NL	Amber LED night light

CONTROLS

BLANK None

Click on the following link for control options:
<https://bit.ly/2KzMuAx>

DRIVER

BLANK Non-dimming applications
 DM Dimming applications

Click on the following link for special driver options:
<https://bit.ly/2FqZ6qU>

FEATURES

- > Specification-grade patient room LED luminaire for healthcare applications
- > Robust design with lens tightly secured by double-frame fastened internally with multiple screws
- > Features modern square or rectangle lens with rounded edges for visual comfort and efficiency
- > Minimum 80 CRI; color range 3000K - 5000K available
- > Fully gasketed fixture
- > 90 CRI Optional
- > COI Compliant Optional
- > Anti-microbial paint optional
- > Multiple dimming protocols available
- > IP65 for recessed applications*
- > Gasketed stainless steel screws
- > 100% made in Canada

* Faceplate is sealed with multiple gaskets and luminaire is IP65 certified as providing protection against dust and water entering the luminaire through the faceplate in a recessed application. Note that the housing (which is designed to be recessed into ceiling and is not visible once installed) does not provide ingress protection against dust and water entering the luminaire from the plenum.

APPLICATIONS

- > Hospitals
- > Nursing Homes
- > Medical Clinics

LED

FIXTURE PERFORMANCE DATA

SPECIFICATIONS

Housing – Precision die-formed 20-gauge C.R.S. with continuously welded end plates

Door Frame – Single piece precision die formed frame with fasteners that secure door frame to housing

Lens (standard) – 0.125" white opal acrylic lens. Secured with internal frame that is fastened internally to door frame with multiple screws

Finish – Baked white enamel powder finish applied post production on all surfaces for smooth edges and safe handling. Anti-microbial finish optional.

Electrical – High quality mid-power LED boards. L70 >72,000 hours reported / 129,200 calculated at maximum allowable output current. L85 >50,000 hours.

Mounting – Recessed (plaster or T-Bar ceiling). We strongly recommend to add wire hangers on each earthquake clips/brackets (see fixture details)

Listings –

- IP65
- cUL certified as luminaire suitable for dry or damp locations.

Warranty – 5-year limited warranty

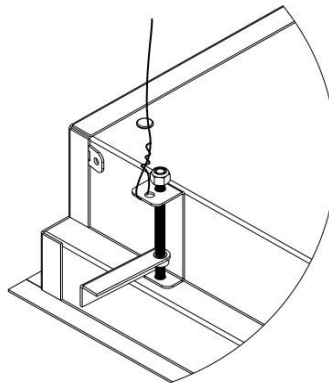
LED PACKAGE	DELIVERED LUMENS	WATTAGE	EFFICACY (lm/W)
12" x 48"			
30	3,004	30	100
40	4,100	43	95
50	5,096	56	91
24" x 24"			
30	3,012	27	111
40	4,027	39	103
50	5,092	52	97
24" x 48"			
40	4,084	35	116
60	6,020	53	113
80	8,081	74	109

*Results based on 4000K, 80 CRI, 0.125" Clear Polycarbonate Lens and White Opal Diffuser (H5)

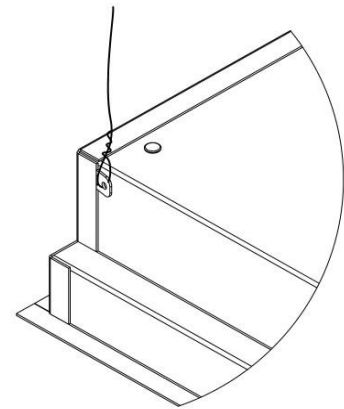
MULTIPLIER TABLE	
COLOR TEMPERATURE	
CCT/CRI	CONVERSION FACTOR
3000K / 80 CRI	0.95
3500K / 80 CRI	0.97
4000K / 80 CRI	1
5000K / 80 CRI	1.03

FIXTURE DETAILS

Hanging brackets to secure housing to structure (wires not supplied by PA-CO)



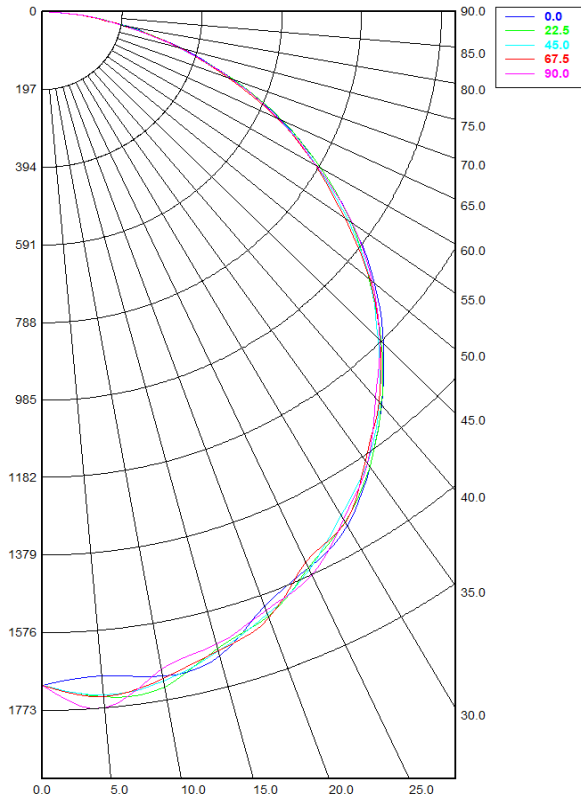
Plaster ceiling / Flange



T-Bar

PHOTOMETRY

MRG2-22-T-50-40-H1-MV Total Luminaire Output: 5,092 lumens; 52 Watts



Candela Distribution

	0.00°	22.50°	45.00°	67.50°	90.00°
0.00°	1,708.47	1,708.47	1,708.47	1,708.47	1,708.47
5.00°	1,691.98	1,744.54	1,740.84	1,744.38	1,773.10
10.00°	1,712.33	1,739.85	1,724.85	1,717.52	1,694.14
15.00°	1,692.05	1,671.00	1,679.27	1,678.86	1,661.71
20.00°	1,603.86	1,631.64	1,625.42	1,635.57	1,614.97
25.00°	1,558.31	1,557.78	1,561.33	1,540.71	1,576.74
30.00°	1,506.93	1,495.47	1,476.89	1,497.44	1,488.40
35.00°	1,409.97	1,410.03	1,399.88	1,391.29	1,399.49
40.00°	1,303.02	1,302.34	1,294.37	1,293.69	1,279.89
45.00°	1,191.18	1,183.50	1,171.61	1,178.20	1,179.20
50.00°	1,071.79	1,054.38	1,055.97	1,056.53	1,061.84
55.00°	934.98	931.60	922.99	912.56	936.21
60.00°	796.82	796.46	784.27	779.88	785.31
65.00°	649.99	654.93	644.91	639.17	643.88
70.00°	499.90	499.14	495.45	487.78	494.56
75.00°	352.67	347.08	345.82	345.90	343.56
80.00°	214.94	211.99	209.45	206.21	208.13
85.00°	96.32	97.12	95.53	94.91	97.85
90.00°	10.17	10.85	11.40	11.43	11.17

Spacing Criterion:

Two luminaires, plane 0°	1.3
Two luminaires, plane 90°	1.29
Four luminaires	1.39

Zonal Lumen Summary

Zone	Lumens	% Fixture
0.00° - 10.00°	175.29	3.44%
10.00° - 20.00°	472.14	9.27%
20.00° - 30.00°	717.45	14.09%
30.00° - 40.00°	873.28	17.15%
40.00° - 50.00°	907.65	17.82%
50.00° - 60.00°	824.87	16.20%
60.00° - 70.00°	635.63	12.48%
70.00° - 80.00°	367.66	7.22%
80.00° - 90.00°	112.17	2.20%
90.00° - 100.00°	3.16	0.06%
100.00° - 110.00°	0.36	0.01%
110.00° - 120.00°	0.53	0.01%
120.00° - 130.00°	0.57	0.01%
130.00° - 140.00°	0.52	0.01%
140.00° - 150.00°	0.57	0.01%
150.00° - 160.00°	0.47	0.01%
160.00° - 170.00°	0.35	0.01%
170.00° - 180.00°	0.12	0.00%
0.00° - 90.00°	5,086.14	99.87%
90.00° - 180.00°	6.65	0.13%
0.00° - 180.00°	5,092.79	100.00%