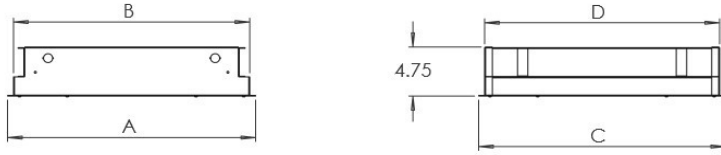


PROJECT: \_\_\_\_\_ NOTES: \_\_\_\_\_

ORDERING INFORMATION: \_\_\_\_\_

**EXAMPLE** MRG1 - 24 - T - 60 - 9 - 40 - MV - PB - EM - D1  
 SERIES NOM. LENGTH MOUNTING LUMENS CRI KELVINS VOLTAGE DIFFUSER OPTIONS DRIVER

**SHOP DRAWINGS**



**1x4**  
 A - 11.75"  
 B - 10.65"  
 C - 47.75"  
 D - 46.57"

**2x2**  
 A - 23.75"  
 B - 22.65"  
 C - 23.75"  
 D - 22.57"

**2x4**  
 A - 23.75"  
 B - 22.65"  
 C - 47.75"  
 D - 46.57"



**ORDERING INFORMATION**

SERIES	
MRG1	
NOMINAL LENGTH	
14	12"x 48"
22	24"x 24"
24	24"x 48"

MOUNTING	
T	T-Bar
F	Flange

LUMENS	
Lumen Package*	Nominal Lumens
<b>12" x 48"</b>	
30	3,000
40	4,000
60	6,000
<b>24" x 24"</b>	
30	3,000
40	4,000
60	6,000
<b>24" x 48"</b>	
40	4,000
60	6,000
80	8,000
100	10,000

\*Other lumen packages available

CRI	
BLANK	80 CRI
9	90 CRI

KELVIN	
30	3000K
35	3500K
40	4000K
50	5000K
TW	Tunable White

VOLTAGE	
MV	120-277V
347	347V

DIFFUSER (Center Lens)	
BLANK	Frosted Ribbed Lens
PB	Perforated Basket

OPTIONS	
AM	Anti-Microbial Paint
EM	Emergency Power Pack
CC	COI Compliant
OS	Internal occupancy and daylight harvesting sensor (OSM3D-DDW)
NLA	Amber LED night light (500 lumens)
NLR	Red LED night light (500 lumens)
NL	White LED night light (500 lumens)*

\*Confirm TempK with manufacture

DRIVERS	
ND	Non-dimming applications
D	0-10V dimming
D1	0-10V dimming to 1%
DA	DALI driver

**FEATURES**

- > Specification-grade patient room LED luminaire for healthcare applications
- > Robust design with polycarbonate lens tightly secured by double-frame fastened internally with multiple screws
- > Features linear ribbed extruded acrylic diffuser for visual confort and efficiency
- > Minimum 80 CRI; color range 3000K - 5000K available
- > IP65 for recessed applications\*
- > 90 CRI Optional
- > 0.125" Polycarbonate security lens
- > COI Compliant Optional
- > Anti-microbial paint optional
- > Multiple dimming protocols available
- > Gasketed stainless steel screws

\* Faceplate is sealed with multiple gaskets and luminaire is IP65 certified as providing protection against dust and water entering the luminaire through the faceplate in a recessed application. Note that the housing (which is designed to be recessed into ceiling and is not visible once installed) does not provide ingress protection against dust and water entering the luminaire from the plenum.

**APPLICATIONS**

- > Hospitals
- > Nursing Homes
- > Medical Clinics



## LED

## FIXTURE PERFORMANCE DATA

## SPECIFICATIONS

**Housing** – Precision die-formed 20-gauge C.R.S. with continuously welded end plates

**Door Frame** – Single piece precision die formed frame with fasteners that secure door frame to housing

**Security Lens** – 0.125" clear polycarbonate lens. Secured with internal frame that is fastened internally to door frame with multiple screws

**Finish** – Baked white enamel powder finish applied post production on all surfaces for smooth edges and safe handling. Anti-microbial finish optional.

**Electrical** – High quality mid-power LED boards. L70 >72,000 hours reported / 129,200 hours calculated. L85 >50,000 hours.

**Mounting** – Recessed (plaster or T-Bar ceiling). We strongly recommend to add wire hangers on each earthquake clips/brackets (see fixture details)

**Listings** –

- IP65
  - cUL certified
- dry or damp locations.

**Warranty** – 5-year limited warranty

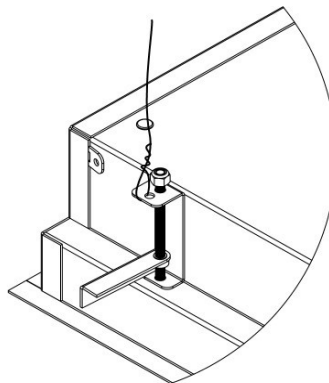
LED PACKAGE	DELIVERED LUMENS	WATTAGE	EFFICACY (lm/W)
24" x 24"			
30	3,081	24	128
50	4,911	42	117
24" x 48"			
40	4,112	36	114
60	6,140	60	102

\*Results based on 4000K, 80 CRI, Acrylic ribbed diffuser

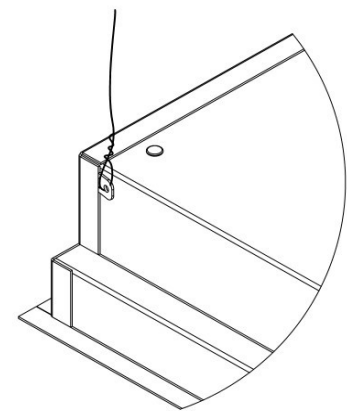
MULTIPLIER TABLE COLOR TEMPERATURE	
CCT/CRI	CONVERSION FACTOR
3000K / 80 CRI	0.95
3500K / 80 CRI	0.97
4000K / 80 CRI	1
5000K / 80 CRI	1.03

## FIXTURE DETAILS

Hanging brackets to secure housing to structure (wires not supplied by PA-CO)



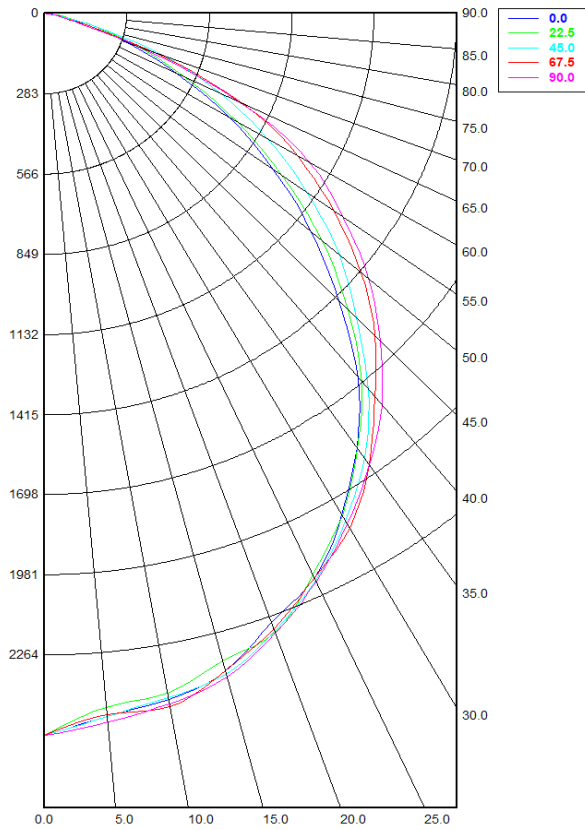
Plaster ceiling / Flange



T-Bar

PHOTOMETRY

MRG1-T-60-40-MV Total Luminaire Output: 6,140 lumens; 102 Watts



Candela Distribution

	0.00°	22.50°	45.00°	67.50°	90.00°
0.00°	2,547.55	2,547.55	2,547.55	2,547.55	2,547.55
5.00°	2,491.23	2,457.63	2,490.99	2,482.96	2,511.12
10.00°	2,457.60	2,434.73	2,451.66	2,484.84	2,473.73
15.00°	2,403.50	2,367.06	2,413.76	2,401.91	2,423.86
20.00°	2,285.79	2,321.89	2,316.83	2,308.83	2,323.40
25.00°	2,197.51	2,185.62	2,208.37	2,197.83	2,212.73
30.00°	2,045.07	2,047.24	2,069.06	2,098.22	2,082.09
35.00°	1,872.32	1,877.47	1,916.69	1,944.36	1,946.61
40.00°	1,676.12	1,697.39	1,730.81	1,767.51	1,803.38
45.00°	1,431.52	1,475.72	1,515.07	1,606.61	1,630.79
50.00°	1,198.47	1,246.96	1,324.11	1,421.08	1,453.30
55.00°	959.89	994.61	1,103.10	1,215.56	1,256.36
60.00°	733.30	764.20	881.86	1,005.82	1,055.63
65.00°	500.13	534.40	662.46	749.52	741.51
70.00°	309.83	341.15	433.54	402.85	355.28
75.00°	149.92	182.78	191.97	119.92	98.37
80.00°	60.37	72.76	57.92	53.25	49.67
85.00°	15.80	20.56	20.19	21.54	21.53
90.00°	1.04	2.10	2.53	2.51	2.89

Zonal Lumen Summary

Zone	Lumens	% Fixture
0.00° - 10.00°	250.90	4.09%
10.00° - 20.00°	674.21	10.98%
20.00° - 30.00°	1,009.87	16.45%
30.00° - 40.00°	1,190.18	19.38%
40.00° - 50.00°	1,178.42	19.19%
50.00° - 60.00°	985.87	16.06%
60.00° - 70.00°	626.49	10.20%
70.00° - 80.00°	195.26	3.18%
80.00° - 90.00°	27.80	0.45%
90.00° - 100.00°	0.63	0.01%
100.00° - 110.00°	0.04	0.00%
110.00° - 120.00°	0.03	0.00%
120.00° - 130.00°	0.05	0.00%
130.00° - 140.00°	0.05	0.00%
140.00° - 150.00°	0.06	0.00%
150.00° - 160.00°	0.09	0.00%
160.00° - 170.00°	0.07	0.00%
170.00° - 180.00°	0.02	0.00%
0.00° - 90.00°	6,139.01	99.98%
90.00° - 180.00°	1.04	0.02%
0.00° - 180.00°	6,140.05	100.00%

Spacing Criterion:

Two luminaires, plane 0°	1.19
Two luminaires, plane 90°	1.21
Four luminaires	1.31