

PROJECT: _____ NOTES: _____

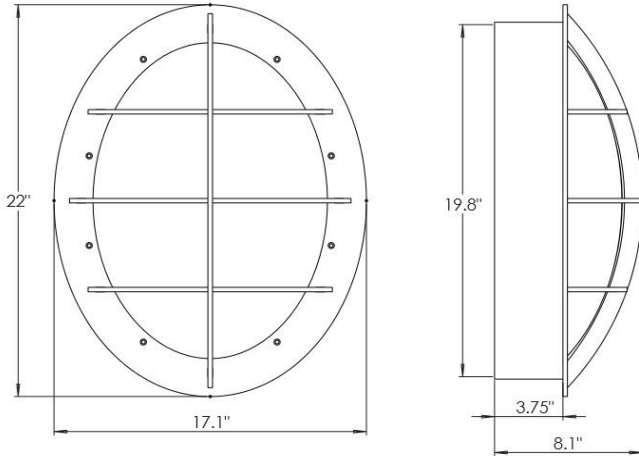
ORDERING INFORMATION: _____

EXAMPLE

AC603 - LED - 40 - 30 - W - MV - CN1 - DM

SERIES SOURCE LUMENS KELVIN COLOR VOLTAGE CONTROLS DRIVER

SHOP DRAWINGS



ORDERING INFORMATION

SERIES	KELVIN
AC603	30 3000K
	35 3500K
SOURCE	40 4000K
L LED	50 5000K

LUMENS

Lumen Package*	Nom. Lumens	Wattage
20	2,000	17
40	4,000	35

Nominal lumen output based on 4000 CCT.
May vary +/-5%.
See fixture performance data.

*Other lumen packages available.
Specify in increments of 100 nominal lumens.
For example, to specify 2,700 nominal lumens:
AC603 - [...] - 27 - [...]

COLOR

W	White
BL	Black
BR	Bronze
S	Silver
RAL	Specify RAL colour no.

VOLTAGE

MV	120-277V
347	347V

CONTROLS
Click on the following link for control options:
<https://bit.ly/2C5IXqg>

DRIVER
BLANK Non-dimming applications
DM Dimming applications
Click on the following link for special driver options:
<https://bit.ly/2FqZ6qU>

FEATURES

- > Decorative Architectural Cage LED luminaires combining rugged construction with meticulous attention to detail
- > Robust design and quality materials ensures these fixtures will continue to make their statement for years to come
- > Fascia 0.250" aluminium
- > One piece 0.125" thickness injection molded lens provides superior illumination
- > Lenses are molded from Acrylic DR in a white opal finish
- > Neoprene gasketing between housing and lens frame
- > Multiple dimming protocols available
- > Minimum 80 CRI; color range 3000K - 5000K available
- > 100% made in Canada

APPLICATIONS

- > Shopping Centers
- > Hotels
- > Atriums
- > Schools
- > Commercial Buildings

FIXTURE PERFORMANCE DATA

SPECIFICATIONS

Housing – Rugged cast aluminum housing with neoprene gasketing between lens and frame

Diffuser – One piece 0.125" thickness injection molded Acrylic DR lens to provide superior illumination

Finish – Baked enamel powder finish available in a variety of colours applied post production on all surfaces for smooth edges and safe handling

Electrical – High quality mid-power LED boards. L70 >50,000 hours.

Mounting – Wall Mount

Listings –

- CSA certified as luminaire suitable for dry or damp locations.
- cUL certified as luminaire suitable for dry or damp locations.

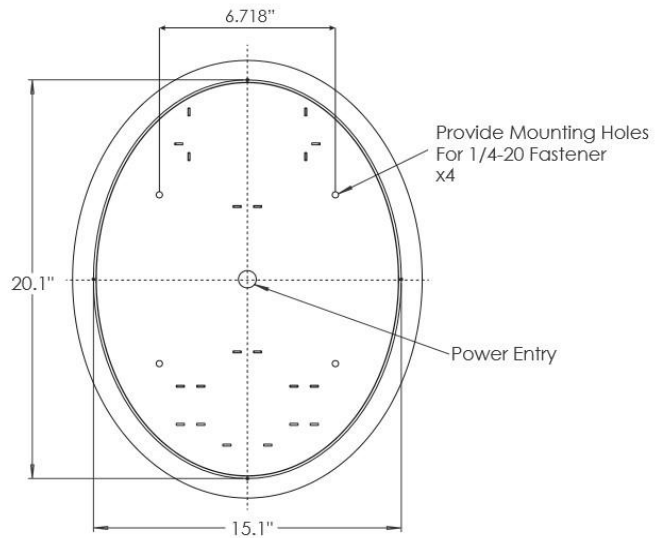
Warranty – 5-year limited warranty

LED PACKAGE	DELIVERED LUMENS	WATTAGE	EFFICACY (lm/W)
20	2,120	17	124
40	4,022	35	115

**Results based on 4000K, 80 CRI

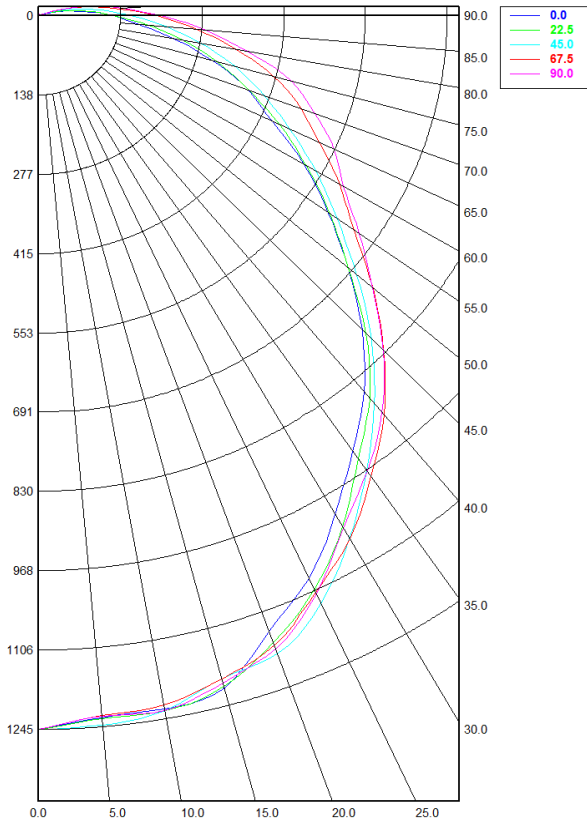
MULTIPLIER TABLE	
COLOR TEMPERATURE	
CCT/CRI	CONVERSION FACTOR
3000K / 80 CRI	0.95
3500K / 80 CRI	0.97
4000K / 80 CRI	1
5000K / 80 CRI	1.03

FIXTURE DETAILS



PHOTOMETRY

AC603-L-40-40-S-MV Total Luminaire Output: 4,022 lumens; 35 Watts



Candela Distribution

	0.00°	22.50°	45.00°	67.50°	90.00°
0.00°	1,244.54	1,244.54	1,244.54	1,244.54	1,244.54
5.00°	1,228.53	1,230.72	1,241.26	1,225.45	1,226.54
10.00°	1,226.93	1,230.79	1,230.04	1,221.04	1,229.89
15.00°	1,213.35	1,210.73	1,196.91	1,196.82	1,204.06
20.00°	1,140.72	1,162.58	1,183.45	1,167.99	1,173.34
25.00°	1,082.93	1,104.89	1,131.83	1,109.96	1,113.14
30.00°	1,004.50	1,029.15	1,053.29	1,054.04	1,032.81
35.00°	927.77	944.11	968.41	981.74	970.33
40.00°	857.06	872.46	884.56	909.96	904.92
45.00°	774.96	783.55	796.96	826.30	825.58
50.00°	684.69	685.16	704.06	739.67	737.49
55.00°	599.93	602.65	617.78	651.73	663.48
60.00°	518.71	523.66	543.51	589.05	596.62
65.00°	434.94	448.97	468.97	525.93	552.70
70.00°	376.09	377.27	404.97	472.10	497.95
75.00°	304.63	313.08	344.45	411.53	442.35
80.00°	231.81	249.60	277.68	338.89	357.70
85.00°	166.62	182.55	215.00	265.63	280.29
90.00°	127.42	127.35	155.00	200.49	207.12

Spacing Criterion:

Two luminaires, plane 0°	1.2
Two luminaires, plane 90°	1.23
Four luminaires	1.34

Zonal Lumen Summary

Zone	Lumens	% Fixture
0.00° - 10.00°	124.68	3.10%
10.00° - 20.00°	338.59	8.42%
20.00° - 30.00°	509.22	12.66%
30.00° - 40.00°	600.69	14.93%
40.00° - 50.00°	616.08	15.32%
50.00° - 60.00°	561.49	13.96%
60.00° - 70.00°	480.92	11.96%
70.00° - 80.00°	378.18	9.40%
80.00° - 90.00°	243.92	6.06%
90.00° - 100.00°	122.24	3.04%
100.00° - 110.00°	37.59	0.93%
110.00° - 120.00°	3.95	0.10%
120.00° - 130.00°	0.86	0.02%
130.00° - 140.00°	0.89	0.02%
140.00° - 150.00°	0.96	0.02%
150.00° - 160.00°	0.96	0.02%
160.00° - 170.00°	0.79	0.02%
170.00° - 180.00°	0.27	0.01%
0.00° - 90.00°	3,853.77	95.81%
90.00° - 180.00°	168.52	4.19%
0.00° - 180.00°	4,022.29	100.00%

