

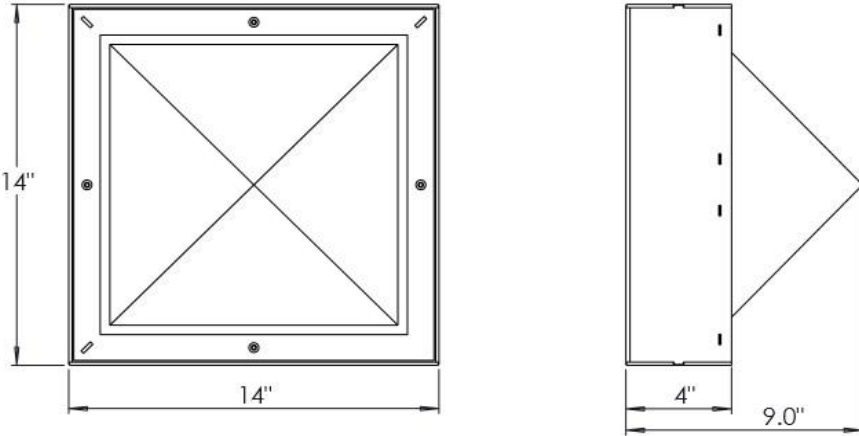
PROJECT: _____ NOTES: _____

ORDERING INFORMATION: _____

EXAMPLE

AC501 - L - 40 - 30 - OA - W - MV - CN1 - DM
 SERIES SOURCE LUMENS KELVIN LENS COLOR VOLTAGE CONTROLS DRIVER

SHOP DRAWINGS



ORDERING INFORMATION

SERIES	
AC501	
SOURCE	
L	LED

LUMENS		
Lumen Package*	Nom. Lumens	Wattage
20	2,000	20
35	3,500	37

Nominal lumen output based on 4000 CCT.
 May vary +/-5%.
 See fixture performance data.

*Other lumen packages available.
 Specify in increments of 100 nominal lumens.
 For example, to specify 2,700 nominal lumens:
 AC501 - [...] - 27 - [...]

KELVIN	
30	3000K
35	3500K
40	4000K
50	5000K
TW	Tunable White

LENS	
OA	Opal Acrylic
OP	Opal Polycarbonate

COLOR	
W	White
BL	Black
BR	Bronze
S	Silver
RAL	Specify RAL colour no.

VOLTAGE	
MV	120-277V
347	347V

CONTROLS
 Click on the following link for control options:
<https://bit.ly/2C5IXqa>

DRIVER
BLAN# Non-dimming applications
DM Dimming applications
 Click on the following link for special driver options:
<https://bit.ly/2FqZ6qU>

FEATURES

- > Decorative Architectural Cage LED luminaires combining rugged construction with meticulous attention to detail
- > Robust design and quality materials ensures these fixtures will continue to make their statement for years to come
- > Die formed 0.125" aluminum housing, seam welded and polished
- > Lens frame assembly 0.250" aluminum with neoprene gasketing
- > Pyramid shaped opal acrylic or polycarbonate lens .125"
- > Tunable White option available
- > Multiple dimming protocols available
- > Minimum 80 CRI; color range 3000K - 5000K available
- > 100% made in Canada

APPLICATIONS

- > Shopping Centers
- > Hotels
- > Atriums
- > Schools
- > Commercial Buildings

LED

FIXTURE PERFORMANCE DATA

SPECIFICATIONS

Housing – Die formed 0.125" aluminum housing, seam welded and polished

Frame – 0.250" aluminum with neoprene gasketing

Diffuser – Pyramid shaped opal acrylic or polycarbonate lens .125"

Finish – Baked enamel powder finish available in a variety of colours applied post production on all surfaces for smooth edges and safe handling

Electrical – High quality mid-power LED boards. L70 >50,000 hours.

Mounting – Wall Mount

Listings –

■ cUL certified as luminaire suitable for dry or damp locations.

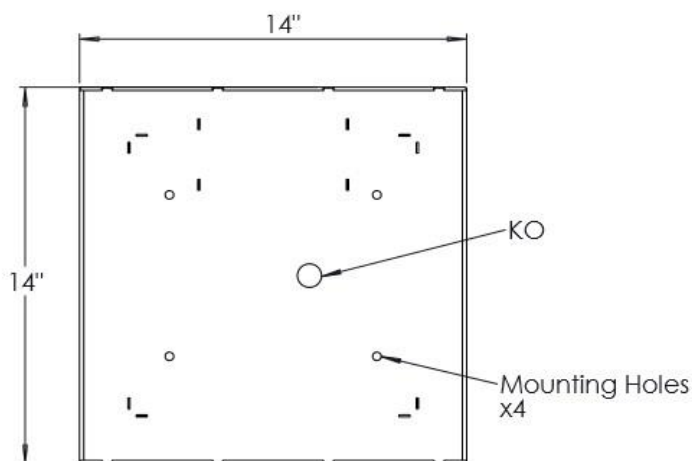
Warranty – 5-year limited warranty

LED PACKAGE	DELIVERED LUMENS	WATTAGE	EFFICACY (lm/W)
20	2,123	19	112
35	3,518	37	95

**Results based on 4000K, 80 CRI, Lens (OP)

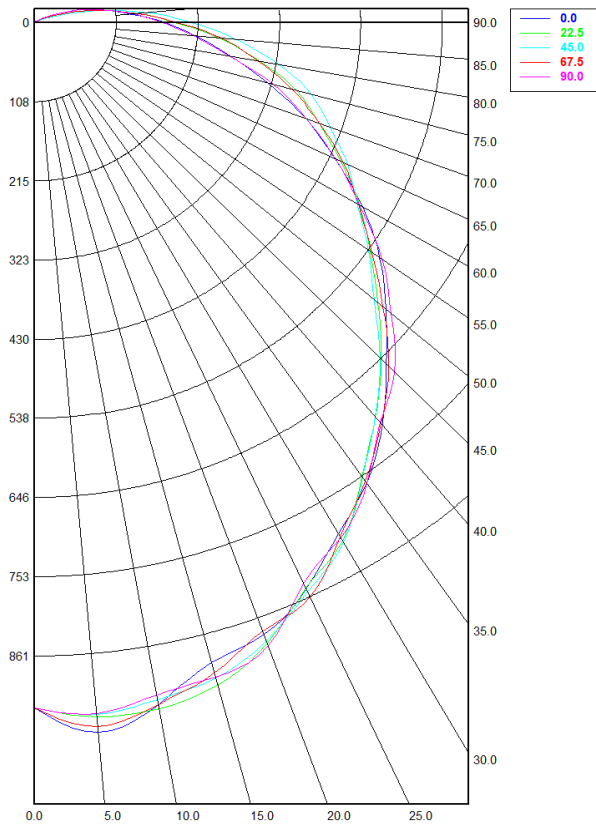
MULTIPLIER TABLE	
COLOR TEMPERATURE	
CCT/CRI	CONVERSION FACTOR
3000K / 80 CRI	0.95
3500K / 80 CRI	0.97
4000K / 80 CRI	1
5000K / 80 CRI	1.03

FIXTURE DETAILS



PHOTOMETRY

AC501-L-35-40-OP-S-MV Total Luminaire Output: 3,518 lumens; 37 Watts



Candela Distribution

	0.00°	22.50°	45.00°	67.50°	90.00°
0.00°	931.21	931.21	931.21	931.21	931.21
5.00°	968.59	947.03	943.60	960.40	942.62
10.00°	940.80	946.66	934.18	940.90	928.04
15.00°	900.61	932.31	922.35	915.24	920.74
20.00°	885.32	897.51	894.05	879.82	901.32
25.00°	849.01	848.17	853.60	861.76	840.28
30.00°	802.85	813.78	816.00	807.46	808.69
35.00°	764.47	753.56	755.13	761.31	764.92
40.00°	714.35	700.21	699.68	711.89	709.86
45.00°	656.67	646.78	644.62	661.53	672.41
50.00°	605.31	591.88	585.12	600.31	614.26
55.00°	556.13	540.65	538.72	544.16	560.16
60.00°	500.24	495.48	491.78	493.31	495.62
65.00°	437.50	446.28	456.37	450.57	439.34
70.00°	380.00	400.24	415.07	399.90	380.56
75.00°	318.13	357.65	378.85	351.69	325.23
80.00°	261.33	300.43	325.51	298.12	259.70
85.00°	213.03	243.67	267.04	247.11	210.70
90.00°	171.73	185.08	207.12	187.29	167.42

Zonal Lumen Summary

Zone	Lumens	% Fixture
0.00° - 10.00°	95.72	2.72%
10.00° - 20.00°	258.77	7.36%
20.00° - 30.00°	392.02	11.14%
30.00° - 40.00°	474.00	13.47%
40.00° - 50.00°	503.29	14.31%
50.00° - 60.00°	487.59	13.86%
60.00° - 70.00°	442.64	12.58%
70.00° - 80.00°	369.27	10.50%
80.00° - 90.00°	263.63	7.49%
90.00° - 100.00°	152.17	4.33%
100.00° - 110.00°	62.41	1.77%
110.00° - 120.00°	12.44	0.35%
120.00° - 130.00°	1.13	0.03%
130.00° - 140.00°	0.92	0.03%
140.00° - 150.00°	0.83	0.02%
150.00° - 160.00°	0.73	0.02%
160.00° - 170.00°	0.45	0.01%
170.00° - 180.00°	0.14	0.00%
0.00° - 90.00°	3,286.92	93.43%
90.00° - 180.00°	231.23	6.57%
0.00° - 180.00°	3,518.14	100.00%

Spacing Criterion:

Two luminaires, plane 0°	1.27
Two luminaires, plane 90°	1.29
Four luminaires	1.39