

PROJECT: _____ NOTES: _____

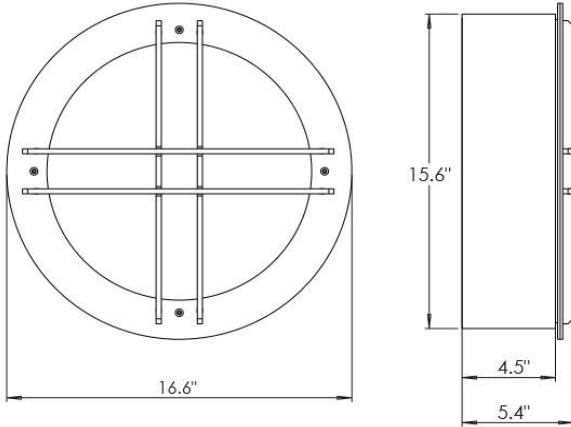
ORDERING INFORMATION: _____

EXAMPLE

AC402 - LED - 40 - 30 - W - MV - CN1 - DM

SERIES SOURCE LUMENS KELVIN COLOR VOLTAGE CONTROLS DRIVER

SHOP DRAWINGS



ORDERING INFORMATION

SERIES	KELVIN
AC402	30 3000K
	35 3500K
SOURCE	40 4000K
LED	50 5000K

LUMENS

Lumen Package*	Nom. Lumens	Wattage
20	2,000	23
30	3,000	37

Nominal lumen output based on 4000 CCT.
May vary +/-5%.
See fixture performance data.

*Other lumen packages available.
Specify in increments of 100 nominal lumens.
For example, to specify 2,700 nominal lumens:
AC402 - [...] - 27 - [...]

COLOR

W	White
BL	Black
BR	Bronze
S	Silver
RAL	Specify RAL colour no.

VOLTAGE

MV	120-277V
347	347V

CONTROLS
Click on the following link for control options:
<https://bit.ly/2C5IXqa>

DRIVER
BLANK Non-dimming applications
DM Dimming applications
Click on the following link for special driver options:
<https://bit.ly/2FqZ6qU>

FEATURES

- > Decorative Architectural Cage LED luminaires combining rugged construction with meticulous attention to detail
- > Robust design and quality materials ensures these fixtures will continue to make their statement for years to come
- > Rugged cast aluminium housing and faceplate available in many colors
- > Laser cut ribbed lens guard fascia 0.250"
- > Lenses are molded from Acrylic DR in a white opal finish
- > Neoprene gasketing between housing and lens frame
- > Multiple dimming protocols available
- > Minimum 80 CRI; color range 3000K - 5000K available
- > 100% made in Canada

APPLICATIONS

- > Shopping Centers
- > Hotels
- > Atriums
- > Schools
- > Commercial Buildings

LED

FIXTURE PERFORMANCE DATA

SPECIFICATIONS

Housing – Rugged cast aluminum housing with neoprene gasketing between lens and frame

Diffuser – Variety of lenses available for smooth and uniform illumination

Finish – Baked enamel powder finish available in a variety of colours applied post production on all surfaces for smooth edges and safe handling

Electrical – High quality mid-power LED boards. L70 >50,000 hours.

Mounting – Wall Mount

Listings –

- cUL certified as luminaire suitable for dry or damp locations.

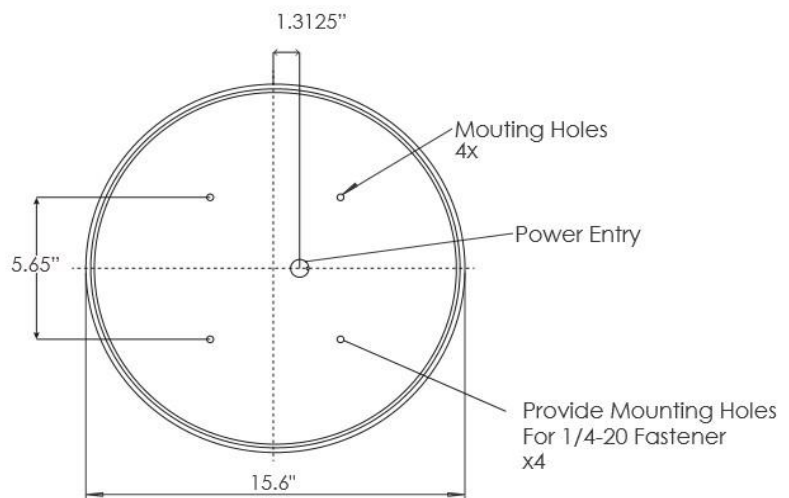
Warranty – 5-year limited warranty

LED PACKAGE	DELIVERED LUMENS	WATTAGE	EFFICACY (lm/W)
20	2,053	23	89
30	3,010	37	81

**Results based on 4000K, 80 CRI, Lens (OP)

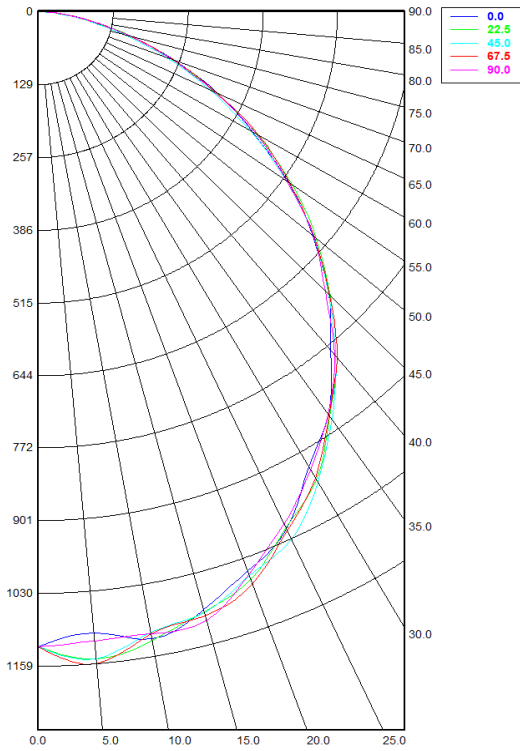
MULTIPLIER TABLE	
COLOR TEMPERATURE	
CCT/CRI	CONVERSION FACTOR
3000K / 80 CRI	0.95
3500K / 80 CRI	0.97
4000K / 80 CRI	1
5000K / 80 CRI	1.03

FIXTURE DETAILS



PHOTOMETRY

AC402-L-30-40-S-MV Total Luminaire Output: 3,010 lumens; 37 Watts



Candela Distribution

	0.00°	22.50°	45.00°	67.50°	90.00°
0.00°	1,124.60	1,124.60	1,124.60	1,124.60	1,124.60
5.00°	1,103.83	1,150.54	1,149.73	1,158.62	1,117.98
10.00°	1,127.09	1,129.89	1,115.47	1,118.42	1,118.13
15.00°	1,096.21	1,099.89	1,101.67	1,107.08	1,115.86
20.00°	1,053.78	1,068.82	1,062.14	1,076.95	1,058.85
25.00°	1,011.35	1,009.12	1,031.43	1,014.64	1,001.47
30.00°	931.54	957.45	962.25	954.02	937.17
35.00°	870.91	875.00	881.42	872.25	869.67
40.00°	783.33	800.03	797.12	800.18	793.88
45.00°	708.22	710.94	707.26	709.85	698.86
50.00°	616.71	625.34	618.92	620.74	618.99
55.00°	527.16	534.91	524.10	530.38	522.99
60.00°	426.03	434.91	420.47	439.14	434.03
65.00°	340.87	337.02	324.45	338.12	332.91
70.00°	246.53	243.99	235.69	247.16	242.54
75.00°	162.57	163.02	149.20	162.18	160.22
80.00°	93.09	91.09	81.47	90.27	92.52
85.00°	40.55	40.96	37.38	41.04	42.63
90.00°	12.98	13.01	9.96	13.04	12.74

Spacing Criterion:

Two luminaires, plane 0°	1.23
Two luminaires, plane 90°	1.23
Four luminaires	1.33

Zonal Lumen Summary

Zone	Lumens	% Fixture
0.00° - 10.00°	114.68	3.81%
10.00° - 20.00°	309.88	10.29%
20.00° - 30.00°	465.61	15.46%
30.00° - 40.00°	545.79	18.13%
40.00° - 50.00°	545.01	18.10%
50.00° - 60.00°	470.00	15.61%
60.00° - 70.00°	330.86	10.99%
70.00° - 80.00°	170.70	5.67%
80.00° - 90.00°	49.32	1.64%
90.00° - 100.00°	4.00	0.13%
100.00° - 110.00°	0.30	0.01%
110.00° - 120.00°	0.61	0.02%
120.00° - 130.00°	0.79	0.03%
130.00° - 140.00°	0.93	0.03%
140.00° - 150.00°	0.92	0.03%
150.00° - 160.00°	0.78	0.03%
160.00° - 170.00°	0.48	0.02%
170.00° - 180.00°	0.15	0.00%
0.00° - 90.00°	3,001.85	99.70%
90.00° - 180.00°	8.94	0.30%
0.00° - 180.00°	3,010.79	100.00%

