

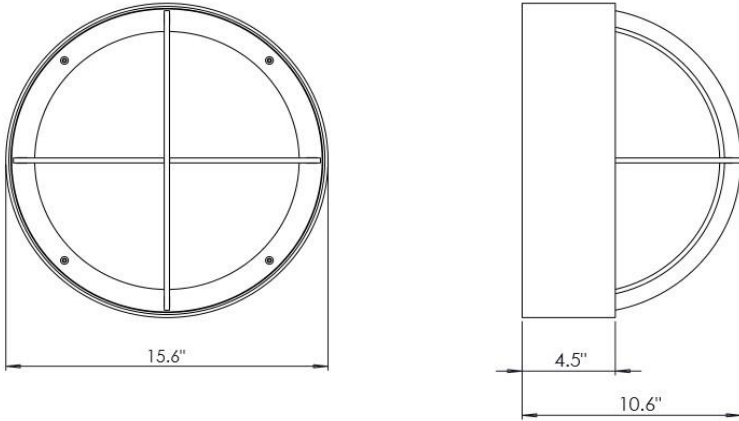
PROJECT: _____ NOTES: _____

ORDERING INFORMATION: _____

EXAMPLE

AC207 - L - 40 - 30 - W - MV - CN1 - DM
SERIES SOURCE LUMENS KELVIN COLOR VOLTAGE CONTROLS DRIVER

SHOP DRAWINGS



ORDERING INFORMATION

SERIES	KELVIN
AC207	30 3000K
	35 3500K
SOURCE	40 4000K
L LED	50 5000K

LUMENS

Lumen Package*	Nom. Lumens	Wattage
20	2,000	19
35	3,500	37

Nominal lumen output based on 4000 CCT.
 May vary +/-5%.
 See fixture performance data.

*Other lumen packages available.
 Specify in increments of 100 nominal lumens.
 For example, to specify 2,700 nominal lumens:
 AC207 - [...] - 27 - [...]

COLOR

WH	White
BL	Black
BR	Bronze
SI	Silver
RAL	Specify RAL colour no.

VOLTAGE

MV	120-277V
347	347V

CONTROLS

Click on the following link for control options:
<https://bit.ly/2C5IXqa>

DRIVER

BLANK Non-dimming applications
DM Dimming applications
 Click on link below for special driver options:
<https://bit.ly/2FqZ6qU>

FEATURES

- > Decorative Architectural Cage LED luminaires combining rugged construction with meticulous attention to detail
- > Robust design and quality materials ensures these fixtures will continue to make their statement for years to come
- > Rugged cast aluminium housing and faceplate available in many colors
- > One piece 0.125" thickness injection molded lens provides superior illumination
- > Lenses are molded from Acrylic DR in a white opal finish
- > Neoprene gasketing between housing and lens frame
- > Multiple dimming protocols available
- > Minimum 80 CRI; color range 3000K - 5000K available
- > 100% made in Canada

APPLICATIONS

- > Shopping Centers
- > Hotels
- > Atriums
- > Schools
- > Commercial Buildings

LED

FIXTURE PERFORMANCE DATA

SPECIFICATIONS

Housing – Rugged cast aluminum housing with neoprene gasketing between lens and frame

Diffuser – One piece 0.125" thickness injection molded Acrylic DR lens to provide superior illumination

Finish – Baked enamel powder finish available in a variety of colours applied post production on all surfaces for smooth edges and safe handling

Electrical – High quality mid-power LED boards. L70 >50,000 hours.

Mounting – Wall Mount

Listings –
 ■ cUL certified as luminaire suitable for dry or damp locations.

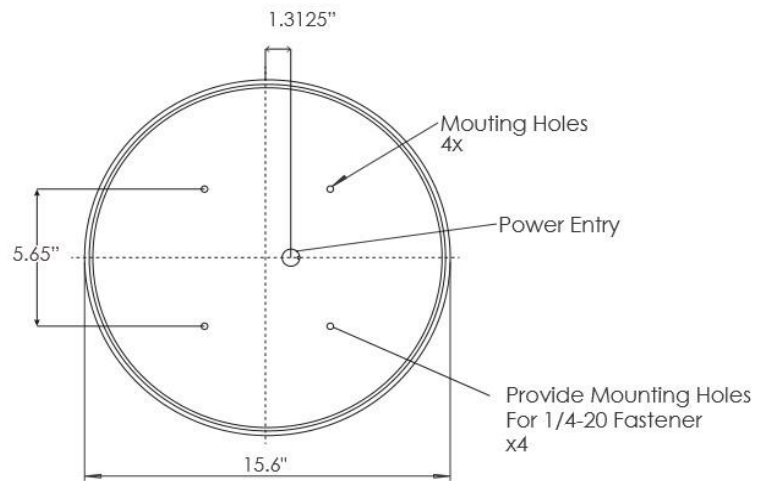
Warranty – 5-year limited warranty

LED PACKAGE	DELIVERED LUMENS	WATTAGE	EFFICACY (lm/W)
20	2,068	19	108
35	3,584	37	97

*Results based on 4000K, 80 CRI

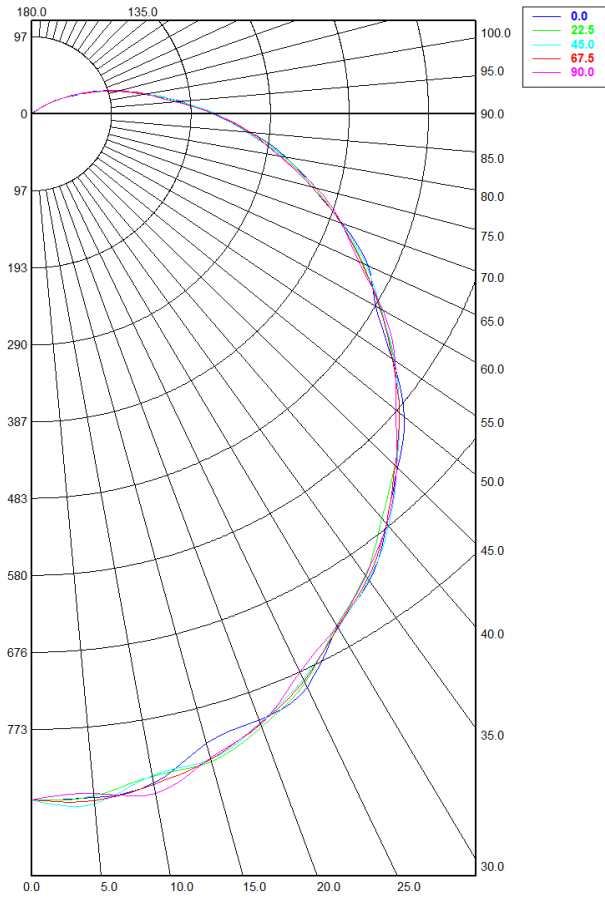
MULTIPLIER TABLE	
COLOR TEMPERATURE	
CCT/CRI	CONVERSION FACTOR
3000K / 80 CRI	0.95
3500K / 80 CRI	0.97
4000K / 80 CRI	1
5000K / 80 CRI	1.03

FIXTURE DETAILS



PHOTOMETRY

AC207-L-35-40-S-MV Total Luminaire Output: 3,584 lumens; 37 Watts



Candela Distribution

	0.00°	22.50°	45.00°	67.50°	90.00°
0.00°	861.45	861.45	861.45	861.45	861.45
5.00°	861.67	859.54	869.63	865.66	856.09
10.00°	853.38	844.54	843.38	854.72	866.27
15.00°	818.63	842.17	839.14	839.30	837.60
20.00°	809.61	818.42	812.83	813.99	815.22
25.00°	793.50	787.32	782.55	784.60	772.84
30.00°	745.16	743.03	745.91	745.65	743.20
35.00°	717.33	708.51	715.51	713.02	708.80
40.00°	672.25	663.61	676.29	671.97	673.17
45.00°	629.97	625.86	629.25	625.74	628.28
50.00°	592.59	584.47	584.51	584.48	578.95
55.00°	536.16	539.06	539.15	536.27	540.43
60.00°	483.97	490.48	491.63	489.96	494.22
65.00°	452.38	445.24	449.59	444.41	439.82
70.00°	403.24	400.90	401.89	401.00	401.35
75.00°	353.16	356.88	353.41	352.54	359.79
80.00°	313.82	312.54	311.07	305.76	305.71
85.00°	266.50	266.18	261.13	266.95	264.26
90.00°	219.77	220.66	223.31	220.74	221.35

Zonal Lumen Summary

Zone	Lumens	% Fixture
0.00° - 10.00°	86.88	2.42%
10.00° - 20.00°	235.59	6.57%
20.00° - 30.00°	360.10	10.05%
30.00° - 40.00°	444.30	12.40%
40.00° - 50.00°	484.22	13.51%
50.00° - 60.00°	480.80	13.41%
60.00° - 70.00°	441.51	12.32%
70.00° - 80.00°	374.89	10.46%
80.00° - 90.00°	288.92	8.06%
90.00° - 100.00°	195.75	5.46%
100.00° - 110.00°	116.81	3.26%
110.00° - 120.00°	55.26	1.54%
120.00° - 130.00°	15.73	0.44%
130.00° - 140.00°	1.57	0.04%
140.00° - 150.00°	0.73	0.02%
150.00° - 160.00°	0.57	0.02%
160.00° - 170.00°	0.37	0.01%
170.00° - 180.00°	0.14	0.00%
0.00° - 90.00°	3,197.22	89.20%
90.00° - 180.00°	386.93	10.80%
0.00° - 180.00°	3,584.15	100.00%

Spacing Criterion:

Two luminaires, plane 0°	1.29
Two luminaires, plane 90°	1.29
Four luminaires	1.43