

PROJECT: _____ NOTES: _____

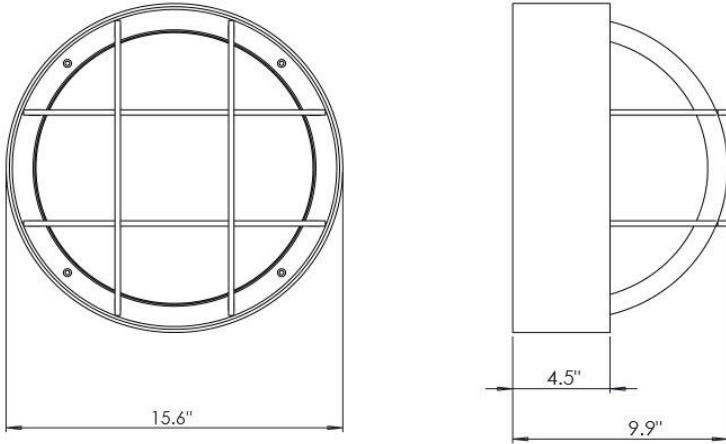
ORDERING INFORMATION: _____

EXAMPLE

AC206 - L - 40 - 30 - W - MV - CN1 - DM

SERIES SOURCE LUMENS KELVIN COLOR VOLTAGE VOLTAGE DRIVER

SHOP DRAWINGS



ORDERING INFORMATION

SERIES	KELVIN
AC206	30 3000K
	35 3500K
SOURCE	40 4000K
L LED	50 5000K

LUMENS

Lumen Package*	Nom. Lumens	Wattage
20	2,000	20
33	3,300	37

Nominal lumen output based on 4000 CCT.
May vary +/-5%.
See fixture performance data.

*Other lumen packages available.
Specify in increments of 100 nominal lumens.
For example, to specify 2,700 nominal lumens:
AC206 - [...] - 27 - [...]

COLOR

- W White
- BL Black
- BR Bronze
- S Silver
- RAL Specify RAL colour no.

VOLTAGE

- MV 120-277V
- 347 347V

CONTROLS

Click on the following link for control options:
<https://bit.ly/2CSIXqa>

DRIVER

- BLANK Non-dimming applications
 - DM Dimming applications
- Click on below link for special driver options:
<https://bit.ly/2FqZ6qU>

FEATURES

- > Decorative Architectural Cage LED luminaires combining rugged construction with meticulous attention to detail
- > Robust design and quality materials ensures these fixtures will continue to make their statement for years to come
- > Rugged cast aluminium housing and faceplate available in many colors
- > One piece 0.125" thickness injection molded lens provides superior illumination
- > Lenses are molded from Acrylic DR in a white opal finish
- > Neoprene gasketing between housing and lens frame
- > Multiple dimming protocols available
- > Minimum 80 CRI; color range 3000K - 5000K available
- > 100% made in Canada

APPLICATIONS

- > Shopping Centers
- > Hotels
- > Atriums
- > Schools
- > Commercial Buildings

LED

FIXTURE PERFORMANCE DATA

SPECIFICATIONS

Housing – Rugged cast aluminum housing with neoprene gasketing between lens and frame

Diffuser – One piece 0.125" thickness injection molded Acrylic DR lens to provide superior illumination

Finish – Baked enamel powder finish available in a variety of colours applied post production on all surfaces for smooth edges and safe handling

Electrical – High quality mid-power LED boards. L70 >50,000 hours.

Mounting – Wall Mount

Listings –
 ■ CSA certified as luminaire suitable for dry or damp locations.

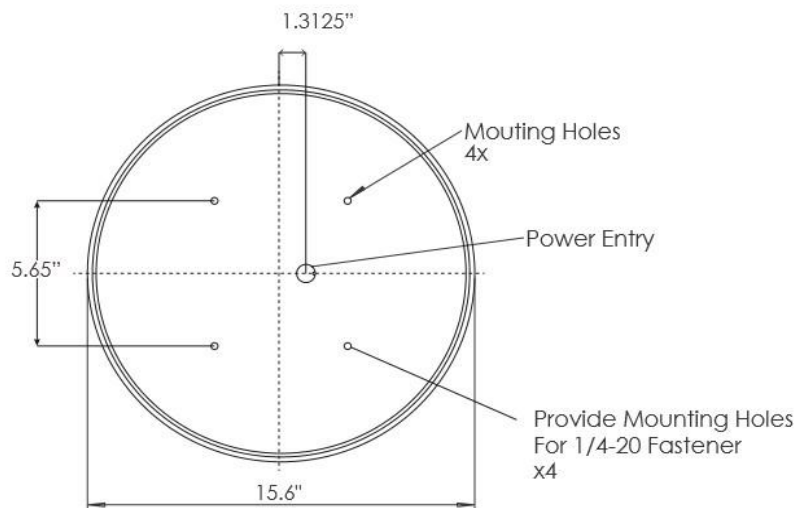
Warranty – 5-year limited warranty

LED PACKAGE	DELIVERED LUMENS	WATTAGE	EFFICACY (lm/W)
20	2,016	20	101
33	3,341	37	90

**Results based on 4000K, 80 CRI

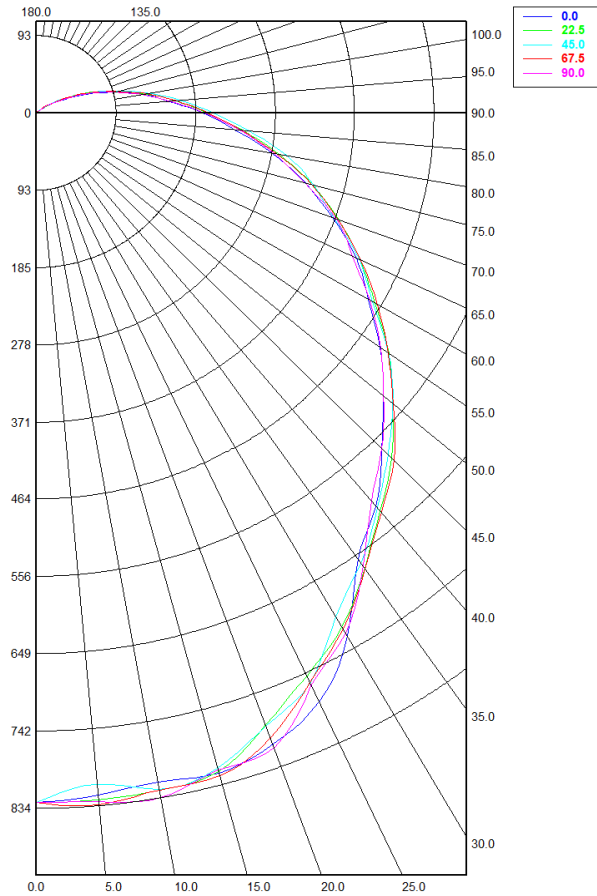
MULTIPLIER TABLE	
COLOR TEMPERATURE	
CCT/CRI	CONVERSION FACTOR
3000K / 80 CRI	0.95
3500K / 80 CRI	0.97
4000K / 80 CRI	1
5000K / 80 CRI	1.03

FIXTURE DETAILS



PHOTOMETRY

AC206-L-33-40-S-MV Total Luminaire Output: 3,341 lumens; 37 Watts



Candela Distribution

	0.00°	22.50°	45.00°	67.50°	90.00°
0.00°	827.35	827.35	827.35	827.35	827.35
5.00°	821.50	827.32	808.43	833.19	829.53
10.00°	815.15	825.44	823.76	824.88	834.35
15.00°	819.92	818.10	814.08	823.62	816.57
20.00°	806.11	781.36	782.53	797.74	810.17
25.00°	779.96	745.30	754.70	754.43	758.82
30.00°	725.76	712.71	698.61	715.45	721.14
35.00°	654.38	667.45	660.11	668.76	664.32
40.00°	616.67	623.71	618.91	626.25	608.36
45.00°	570.21	586.23	580.12	589.72	569.85
50.00°	528.55	542.21	542.72	543.68	528.70
55.00°	489.77	501.83	501.58	500.91	490.32
60.00°	447.64	456.10	452.41	459.68	449.11
65.00°	411.84	417.05	415.99	417.70	407.26
70.00°	367.75	375.56	370.17	374.84	372.58
75.00°	324.68	333.73	335.26	332.40	323.14
80.00°	279.18	286.43	296.13	285.18	281.23
85.00°	231.96	241.27	248.10	238.64	237.17
90.00°	192.92	198.30	205.68	199.52	194.59

Zonal Lumen Summary

Zone	Lumens	% Fixture
0.00° - 10.00°	83.54	2.50%
10.00° - 20.00°	229.65	6.87%
20.00° - 30.00°	347.04	10.39%
30.00° - 40.00°	415.66	12.44%
40.00° - 50.00°	447.91	13.40%
50.00° - 60.00°	444.89	13.31%
60.00° - 70.00°	409.97	12.27%
70.00° - 80.00°	348.86	10.44%
80.00° - 90.00°	263.49	7.88%
90.00° - 100.00°	179.13	5.36%
100.00° - 110.00°	105.88	3.17%
110.00° - 120.00°	48.80	1.46%
120.00° - 130.00°	13.94	0.42%
130.00° - 140.00°	1.78	0.05%
140.00° - 150.00°	0.50	0.02%
150.00° - 160.00°	0.39	0.01%
160.00° - 170.00°	0.24	0.01%
170.00° - 180.00°	0.09	0.00%
0.00° - 90.00°	2,991.02	89.50%
90.00° - 180.00°	350.75	10.50%
0.00° - 180.00°	3,341.78	100.00%

Spacing Criterion:

Two luminaires, plane 0°	1.27
Two luminaires, plane 90°	1.27
Four luminaires	1.4

