

PROJECT:

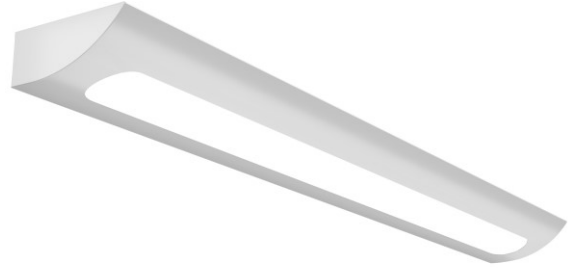
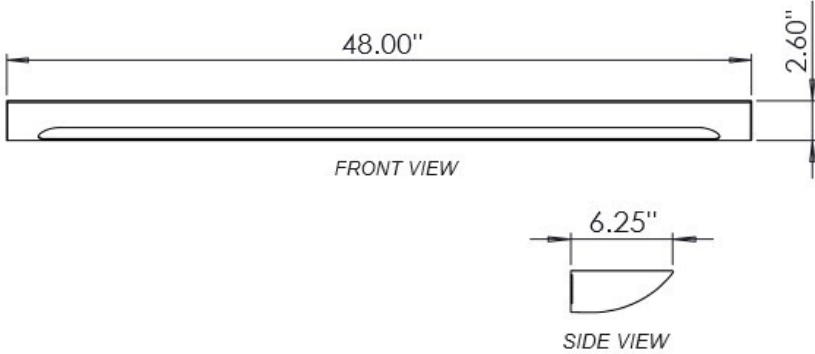
NOTES:

ORDERING INFORMATION:

EXAMPLE

MBL2 - 4F - 30 - 10 - 9 - 35 - MV - 2C - W - AM - LV - D
 SERIES NOM. LENGTH LUMENS UP LUMENS DOWN CRI KELVINS VOLTAGE CIRCUITS COLOR OPTIONS CONTROLS DRIVER

SHOP DRAWINGS



ORDERING INFORMATION

SERIES
 MBL2

VOLTAGE
 MV 120-277V
 347 347V

NOMINAL LENGTH
 4F 48"

CIRCUITS
 1C 1 Circuit
 2C 2 Circuits

LUMENS INDIRECTS*
 10 1,000
 30 3,000
 50 5,000
 00 None
**Other lumen packages available.*

COLOR
 W White
 S Silver
 B Black

LUMENS DIRECTS*
 10 1,000
 30 3,000
 50 5,000
**Other lumen packages available.*

OPTIONS
 AM Anti-Microbial Paint
 NLA Indirect Amber LED night light (500 lumens)*
 NLR Indirect Red LED night light (500 lumens)*
 NL Indirect White LED night light (500 lumens)*
**Specify how night light will be controlled*

CRI
 BLANK 80 CRI
 9 90 CRI

CONTROLS
 LV Low Voltage Relay (Patient Controlled)**
 P4L 4 Way Pull Chain (Left)*
 P4R 4 Way Pull Chain (Right)*
 P2L 2 Way Pull Chain (Left)*
 P2R 2 Way Pull Chain (Right)*
**Pull chain options only available in 120V*
***Remote control not supplied by PA-CO*

KELVIN
 30 3000K
 35 3500K
 40 4000K
 50 5000K
 TW Tunable White

DRIVERS
 ND Non-dimming applications
 D 0-10V dimming
 DA DALI driver

FEATURES

- > Premium grade wall-mounted luminaire designed as a bed light for hospitals, nursing homes and other patient care facilities.
- > Provides controlled direct and indirect lighting with separate uplight and downlight compartments
- > Solid construction with 18 gauge C.R.S faceplate and backplate with welded and riveted end caps
- > Features translucent frost polycarbonate and white opal acrylic lenses for smooth and uniform illumination
- > Available with anti-microbial finish (optional)
- > Minimum 80 CRI, 90+ CRI available as an option

APPLICATIONS

- > Hospitals
- > Nursing Homes
- > Chronic care facilities
- > Retirement homes

LED

FIXTURE PERFORMANCE DATA

SPECIFICATIONS

Housing Faceplate / Backplate / Ends – Precision die formed and rolled 18-gauge C.R.S. housing with welded and riveted end caps

Diffuser – Features white opal acrylic and translucent frost polycarbonate lenses for smooth and uniform illumination

Finish – Electrostatic powder finish applied post production on all surfaces for smooth edges and safe handling

Electrical – High quality mid-power LED boards. L85 >50,000 hours.

Mounting – Wall mounted

Listings –
 ■ UL certified as luminaire suitable for dry or damp locations.

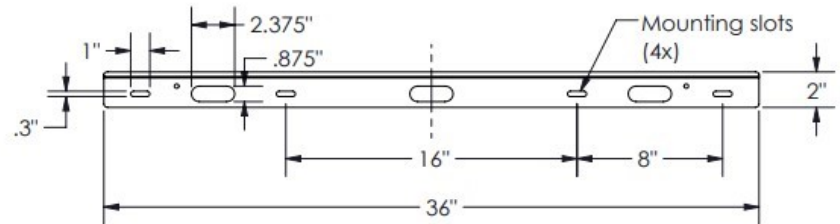
Warranty – 5-year limited warranty

LED PACKAGE	DELIVERED LUMENS	WATTAGE	EFFICACY (lm/W)
30 Up	3,089	29	106
50 Up	5,165	48	107
10 Down	1,096	9	121
30 Down	3,087	29	106
30 Up / 10 Down	4,197	38	110
30 Up / 30 Down	6,250	58	107
50 Up / 10 Down	6,272	55	114
50 Up / 30 Down	8,324	77	108

*Results based on 4000K, 80 CRI, White Opal L2 Polycarbonate Lens (Uplight), Flexilume H5 (Down)

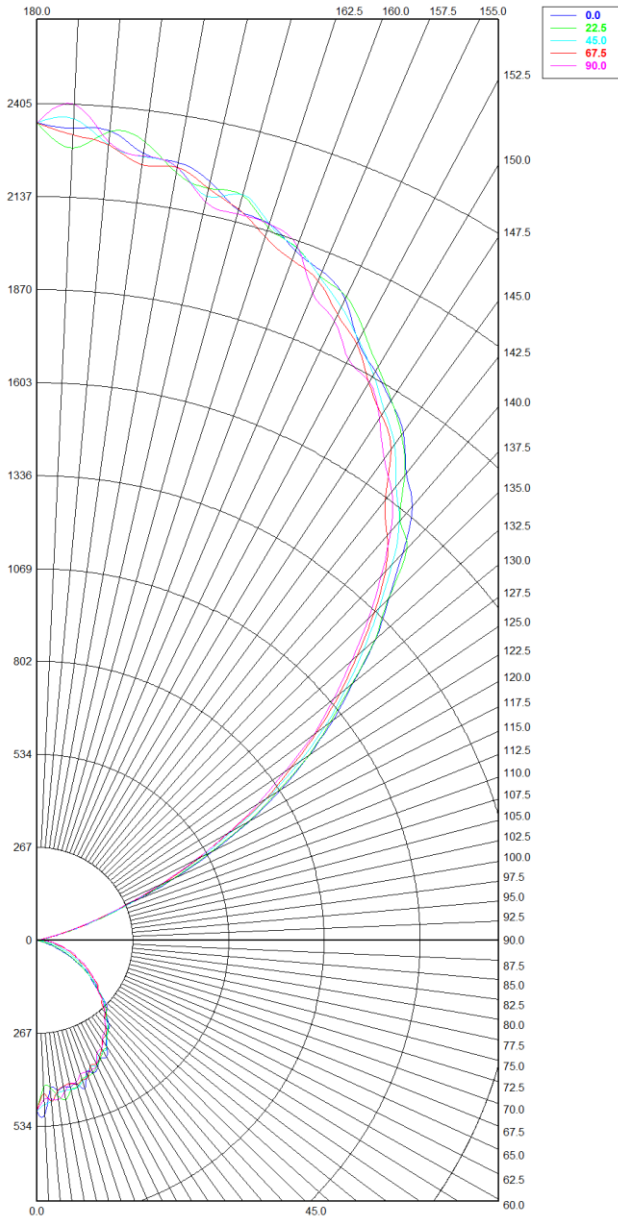
MULTIPLIER TABLE	
COLOR TEMPERATURE	
CCT/CRI	CONVERSION FACTOR
3000K / 80 CRI	0.95
3500K / 80 CRI	0.97
4000K / 80 CRI	1
5000K / 80 CRI	1.03

FIXTURE DETAILS



PHOTOMETRY

MBL2-4F-50-10-40-MV Total Luminaire Output: 6,272 lumens; 55 Watts



Zonal Lumen Summary

Zone	Lumens	% Fixture
0.00° - 10.00°	43.28	0.69%
10.00° - 20.00°	120.86	1.93%
20.00° - 30.00°	180.08	2.87%
30.00° - 40.00°	210.45	3.35%
40.00° - 50.00°	204.16	3.25%
50.00° - 60.00°	166.93	2.66%
60.00° - 70.00°	110.25	1.76%
70.00° - 80.00°	54.60	0.87%
80.00° - 90.00°	19.54	0.31%
90.00° - 100.00°	6.83	0.11%
100.00° - 110.00°	79.97	1.27%
110.00° - 120.00°	400.76	6.39%
120.00° - 130.00°	792.42	12.63%
130.00° - 140.00°	1,042.22	16.61%
140.00° - 150.00°	1,081.83	17.25%
150.00° - 160.00°	921.69	14.69%
160.00° - 170.00°	615.69	9.81%
170.00° - 180.00°	221.71	3.53%
0.00° - 90.00°	1,110.13	17.70%
90.00° - 180.00°	5,163.13	82.30%
0.00° - 180.00°	6,273.27	100.00%

Spacing Criterion:

Two luminaires, plane 0°	1.17
Two luminaires, plane 90°	1.09
Four luminaires	1.24