

PROJECT:

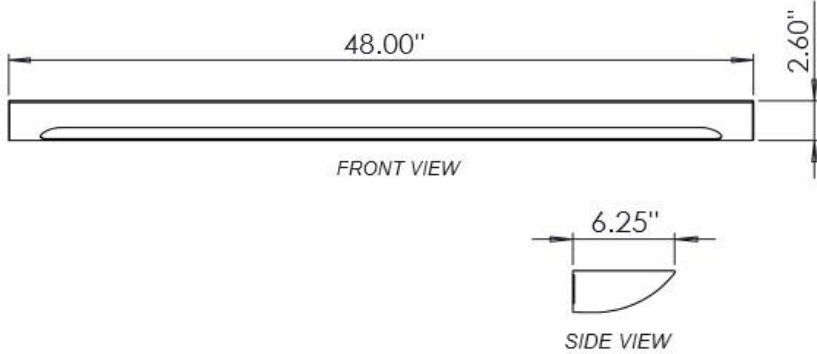
NOTES:

ORDERING INFORMATION:

EXAMPLE

MBL2 - 48 - W - 30 - 10 - 9 - 35 - MV - 2C - PR - LV - DM
 SERIES NOM. LENGTH COLOR LUMENS UP LUMENS DOWN CRI KELVINS VOLTAGE CIRCUITS OPTIONS CONTROLS DRIVER

SHOP DRAWINGS



ORDERING INFORMATION

SERIES

MBL2

KELVIN

30 3000K
 35 3500K
 40 4000K
 50 5000K
 TW Tunable White

NOMINAL LENGTH

48 48"

VOLTAGE

MV 120-277V (0-10V dimming)
 347 347V (0-10V dimming)

COLOR

W White
 S Silver
 B Black

CIRCUITS

1C 1 Circuit
 2C 2 Circuits

LUMENS UP*

30 3,000
 50 5,000
 00 None

OPTIONS

AM Anti-Microbial Paint
 PR Perforated Diffuser (down only)
 NL LED Night Light

LUMENS DOWN*

10 1,000
 30 3,000
 00 None

CONTROLS

LV Low Voltage Relay (Patient Controlled)**
 P4L 4 Way Pull Chain (Left)*
 P4R 4 Way Pull Chain (Right)*
 P2L 2 Way Pull Chain (Left)*
 P2R 2 Way Pull Chain (Right)*

*Other lumen packages available.

CRI

BLANK 80 CRI
 9 90 CRI

*Pull chain options only available in 120V
 **Remote control not supplied by PA-CO

WIRELESS CONTROL OPTIONS SEE BELOW
<https://bit.ly/2C5IXqa>

DRIVERS

BLANK Non-dimming applications
 DM 0-10V dimming
 DA DALI driver
 Click on the following link for special driver options:
<https://bit.ly/2FqZ6qU>

FEATURES

- > Premium grade wall-mounted luminaire designed as a bed light for hospitals, nursing homes and other patient care facilities.
- > Provides controlled direct and indirect lighting with separate uplight and downlight compartments
- > Solid construction with 18 gauge C.R.S faceplate and backplate with welded and riveted end caps
- > Variety of control options available including patient controlled low voltage relay basic pull chains or an extensive selection of wireless control systems (see <https://bit.ly/2C5IXqa>)
- > Features translucent frost polycarbonate and white opal acrylic lenses for smooth and uniform illumination
- > Available with anti-microbial finish (optional)
- > Minimum 80 CRI, 90+ CRI available as an option
- > Efficacies up to 123 lumens / watt

APPLICATIONS

- > Hospitals
- > Nursing Homes
- > Chronic care facilities
- > Retirement homes

LED

FIXTURE PERFORMANCE DATA

SPECIFICATIONS

Housing Faceplate / Backplate / Ends – Precision die formed and rolled 18-gauge C.R.S. housing with welded and riveted end caps

Diffuser – Features white opal acrylic and translucent frost polycarbonate lenses for smooth and uniform illumination

Finish – Electrostatic powder finish applied post production on all surfaces for smooth edges and safe handling

Electrical – High quality mid-power LED boards. L85 >50,000 hours.

Mounting – Wall mounted

Listings –
 ■ UL certified as luminaire suitable for dry or damp locations.

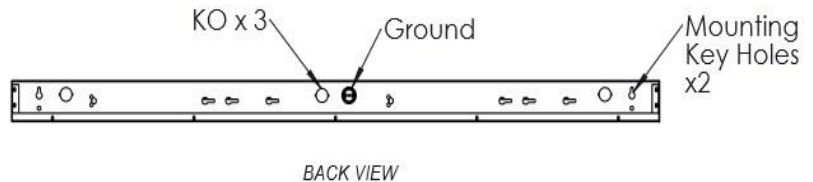
Warranty – 5-year limited warranty

LED PACKAGE	DELIVERED LUMENS	WATTAGE	EFFICACY (lm/W)
30 Up	3,089	29	106
50 Up	5,165	48	107
10 Down	1,096	9	121
30 Down	3,087	29	106
30 Up / 10 Down	4,197	38	110
30 Up / 30 Down	6,250	58	107
50 Up / 10 Down	6,272	55	114
50 Up / 30 Down	8,324	77	108

*Results based on 4000K, 80 CRI, White Opal L2 Polycarbonate Lens (Uplight), Flexilume H5 (Down)

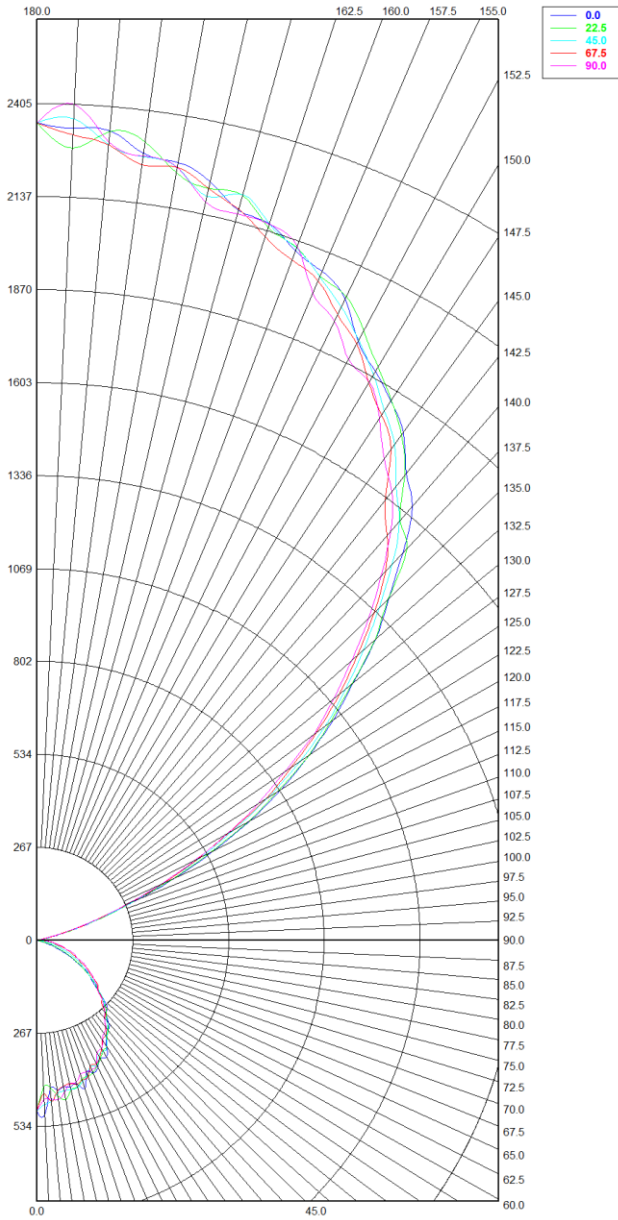
MULTIPLIER TABLE	
COLOR TEMPERATURE	
CCT/CRI	CONVERSION FACTOR
3000K / 80 CRI	0.95
3500K / 80 CRI	0.97
4000K / 80 CRI	1
5000K / 80 CRI	1.03

FIXTURE DETAILS



PHOTOMETRY

MBL2-LED-50-10-40-MV Total Luminaire Output: 6,272 lumens; 55 Watts



Zonal Lumen Summary

Zone	Lumens	% Fixture
0.00° - 10.00°	43.28	0.69%
10.00° - 20.00°	120.86	1.93%
20.00° - 30.00°	180.08	2.87%
30.00° - 40.00°	210.45	3.35%
40.00° - 50.00°	204.16	3.25%
50.00° - 60.00°	166.93	2.66%
60.00° - 70.00°	110.25	1.76%
70.00° - 80.00°	54.60	0.87%
80.00° - 90.00°	19.54	0.31%
90.00° - 100.00°	6.83	0.11%
100.00° - 110.00°	79.97	1.27%
110.00° - 120.00°	400.76	6.39%
120.00° - 130.00°	792.42	12.63%
130.00° - 140.00°	1,042.22	16.61%
140.00° - 150.00°	1,081.83	17.25%
150.00° - 160.00°	921.69	14.69%
160.00° - 170.00°	615.69	9.81%
170.00° - 180.00°	221.71	3.53%
0.00° - 90.00°	1,110.13	17.70%
90.00° - 180.00°	5,163.13	82.30%
0.00° - 180.00°	6,273.27	100.00%

Spacing Criterion:

Two luminaires, plane 0°	1.17
Two luminaires, plane 90°	1.09
Four luminaires	1.24