

PROJECT:

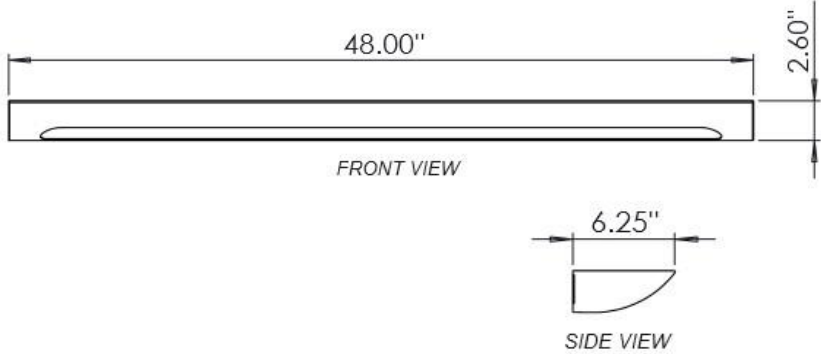
NOTES:

ORDERING INFORMATION:

EXAMPLE

MBL2 - 48 - W - 30 - 10 - 9 - 35 - MV - 2C - PR - LV - DM  
 SERIES      NOM. LENGTH      COLOR      LUMENS UP      LUMENS DOWN      CRI      KELVINS      VOLTAGE      CIRCUITS      OPTIONS      CONTROLS      DRIVER

SHOP DRAWINGS



ORDERING INFORMATION

**SERIES**

MBL2
------

**KELVIN**

30	3000K
35	3500K
40	4000K
50	5000K
TW	Tunable White

**NOMINAL LENGTH**

48	48"
----	-----

**VOLTAGE**

MV	120-277V (0-10V dimming)
347	347V (0-10V dimming)

**COLOR**

W	White
S	Silver
B	Black

**CIRCUITS**

1C	1 Circuit
2C	2 Circuits

**LUMENS UP\***

30	3,000
50	5,000
00	None

**OPTIONS**

AM	Anti-Microbial Paint
PR	Perforated Diffuser (down only)

\*Other lumen packages available.

**LUMENS DOWN\***

10	1,000
30	3,000
00	None

\*Other lumen packages available.

**CRI**

BLANK	80 CRI
9	90 CRI

**CONTROLS**

LV	Low Voltage Relay (Patient Controlled)**
P4L	4 Way Pull Chain (Left)*
P4R	4 Way Pull Chain (Right)*
P2L	2 Way Pull Chain (Left)*
P2R	2 Way Pull Chain (Right)*

\*Pull chain options only available in 120V  
 \*\*Remote control not supplied by PA-CO

**WIRELESS CONTROL OPTIONS SEE BELOW**  
<https://bit.ly/2C5IXqa>

**DRIVERS**

BLANK	Non-dimming applications
DM	0-10V dimming
DA	DALI driver

Click on the following link for special driver options:  
<https://bit.ly/2FqZ6qU>

FEATURES

- > Premium grade wall-mounted luminaire designed as a bed light for hospitals, nursing homes and other patient care facilities.
- > Provides controlled direct and indirect lighting with separate uplight and downlight compartments
- > Solid construction with 18 gauge C.R.S faceplate and backplate with welded and riveted end caps
- > Variety of control options available including patient controlled low voltage relay basic pull chains or an extensive selection of wireless control systems (see <https://bit.ly/2C5IXqa>)
- > Features translucent frost polycarbonate and white opal acrylic lenses for smooth and uniform illumination
- > Available with anti-microbial finish (optional)
- > Minimum 80 CRI, 90+ CRI available as an option
- > Efficacies up to 123 lumens / watt

APPLICATIONS

- > Hospitals
- > Nursing Homes
- > Chronic care facilities
- > Retirement homes

LED

FIXTURE PERFORMANCE DATA

SPECIFICATIONS

**Housing Faceplate / Backplate / Ends** – Precision die formed and rolled 18-gauge C.R.S. housing with welded and riveted end caps

**Diffuser** – Features white opal acrylic and translucent frost polycarbonate lenses for smooth and uniform illumination

**Finish** – Electrostatic powder finish applied post production on all surfaces for smooth edges and safe handling

**Electrical** – High quality mid-power LED boards. L85 >50,000 hours.

**Mounting** – Wall mounted

**Listings** –  
 ■ UL certified as luminaire suitable for dry or damp locations.

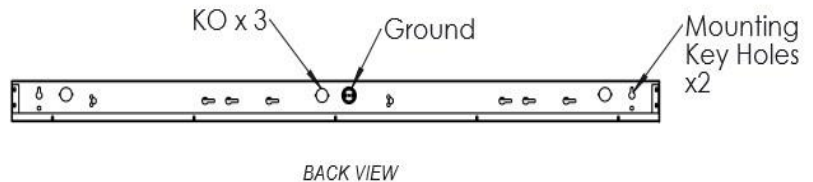
**Warranty** – 5-year limited warranty

LED PACKAGE	DELIVERED LUMENS	WATTAGE	EFFICACY (lm/W)
30 Up	3,089	29	106
50 Up	5,165	48	107
10 Down	1,096	9	121
30 Down	3,087	29	106
30 Up / 10 Down	4,197	38	110
30 Up / 30 Down	6,250	58	107
50 Up / 10 Down	6,272	55	114
50 Up / 30 Down	8,324	77	108

\*Results based on 4000K, 80 CRI, White Opal L2 Polycarbonate Lens (Uplight), Flexilume H5 (Down)

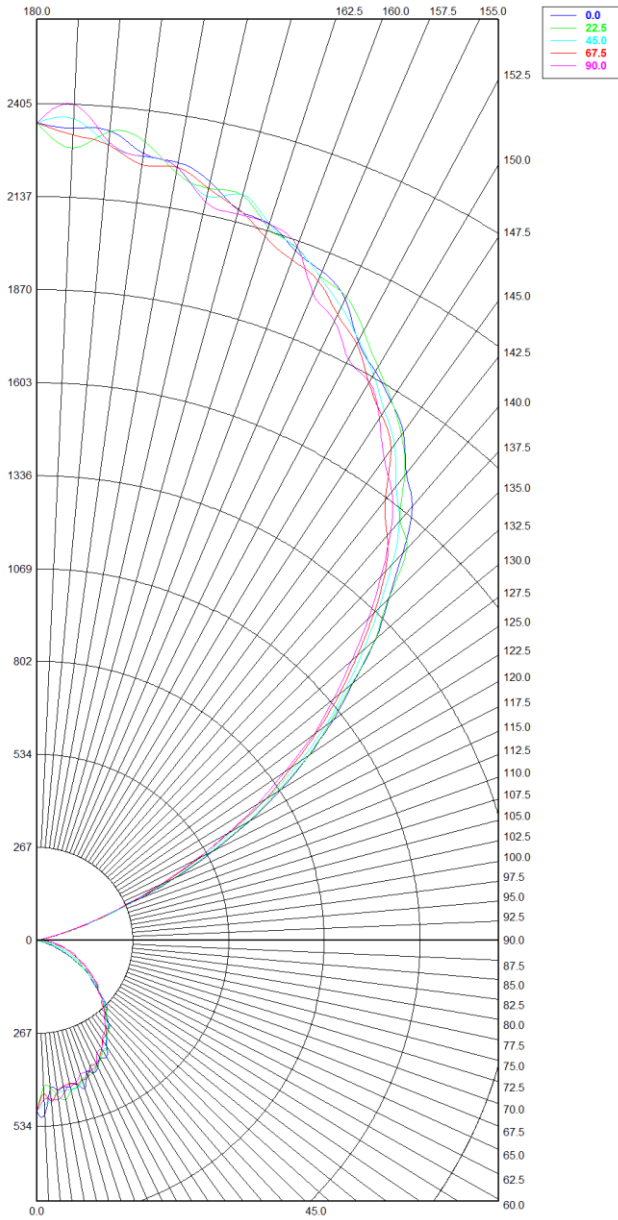
MULTIPLIER TABLE	
COLOR TEMPERATURE	
CCT/CRI	CONVERSION FACTOR
3000K / 80 CRI	0.95
3500K / 80 CRI	0.97
4000K / 80 CRI	1
5000K / 80 CRI	1.03

FIXTURE DETAILS



PHOTOMETRY

MBL2-LED-50-10-40-MV Total Luminaire Output: 6,272 lumens; 55 Watts



**Zonal Lumen Summary**

Zone	Lumens	% Fixture
0.00° - 10.00°	43.28	0.69%
10.00° - 20.00°	120.86	1.93%
20.00° - 30.00°	180.08	2.87%
30.00° - 40.00°	210.45	3.35%
40.00° - 50.00°	204.16	3.25%
50.00° - 60.00°	166.93	2.66%
60.00° - 70.00°	110.25	1.76%
70.00° - 80.00°	54.60	0.87%
80.00° - 90.00°	19.54	0.31%
90.00° - 100.00°	6.83	0.11%
100.00° - 110.00°	79.97	1.27%
110.00° - 120.00°	400.76	6.39%
120.00° - 130.00°	792.42	12.63%
130.00° - 140.00°	1,042.22	16.61%
140.00° - 150.00°	1,081.83	17.25%
150.00° - 160.00°	921.69	14.69%
160.00° - 170.00°	615.69	9.81%
170.00° - 180.00°	221.71	3.53%
0.00° - 90.00°	1,110.13	17.70%
90.00° - 180.00°	5,163.13	82.30%
0.00° - 180.00°	6,273.27	100.00%

**Spacing Criterion:**

<b>Two luminaires, plane 0°</b>	1.17
<b>Two luminaires, plane 90°</b>	1.09
<b>Four luminaires</b>	1.24