

PROJECT:

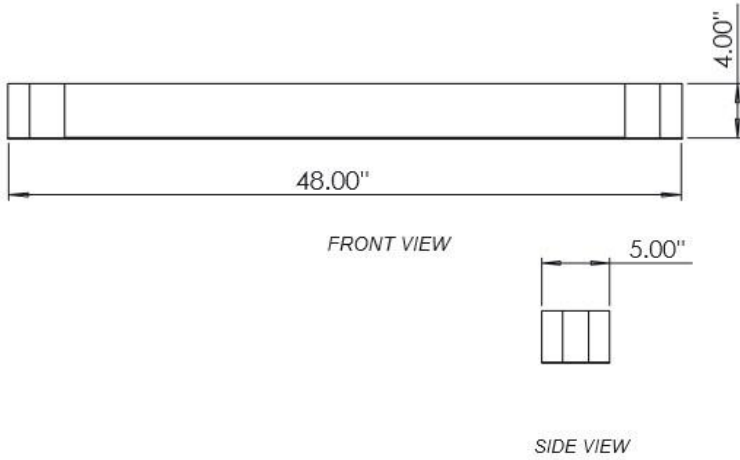
NOTES:

ORDERING INFORMATION:

EXAMPLE

MBL1 - 48 - S - 50 - 10 - 35 - MV - 2C - LP - AP  
SERIES    NOM. LENGTH    COLOR    LUMENS UP    LUMENS DOWN    KELVINS    VOLTAGE    CIRCUITS    CONTROLS    OPTIONS

SHOP DRAWINGS



ORDERING INFORMATION

<b>SERIES</b>	MBL1	<b>KELVIN</b>	30 3000K 35 3500K 40 4000K 50 5000K TW Tunable White
<b>NOMINAL LENGTH</b>	48 48"	<b>VOLTAGE</b>	MV 120-277V (0-10V dimming) 347 347V (0-10V dimming)
<b>COLOR</b>	W White (standard) S Silver B Black	<b>CIRCUITS</b>	1C 1 Circuit 2C 2 Circuits
<b>LUMENS UP*</b>	30 3,000 50 5,000	<b>CONTROLS</b>	LP Low Voltage Relay (Patient Controlled) PC4L 4 Way Pull Chain (Left) PC4R 4 Way Pull Chain (Right) PC2L 2 Way Pull Chain (Left) PC2R 2 Way Pull Chain (Right) <i>*Pull chain options only available in 120V</i>
<b>LUMENS DOWN*</b>	10 1,000 30 3,000	<b>WIRELESS CONTROL OPTIONS SEE LINK BELOW</b> <a href="https://bit.ly/2C5IXqa">https://bit.ly/2C5IXqa</a>	
<i>*Other lumen packages available.</i>		<b>OPTIONS</b>	EM Emergency Pack AP Anti-Microbial Paint 9C CRI over 90 PR Perforated Lens (down only) NL LED Night Light (500 lumens / 2700K indirect)* <i>*Other lumen packages available</i>

FEATURES

- > Premium grade wall-mounted luminaire designed as a bed light for hospitals, nursing homes and other patient care facilities.
- > Provides controlled direct and indirect lighting with separate uplight and downlight compartments
- > Solid construction with 16 gauge C.R.S. one-piece housing with welded end caps
- > Variety of control options available including patient controlled low voltage relay basic pull chains or an extensive selection of wireless control systems (see <https://bit.ly/2C5IXqa>)
- > Features white frost polycarbonate lens for smooth and uniform illumination
- > Available with anti-microbial finish (optional)
- > Minimum 80 CRI, 90+ CRI available as an option
- > Efficacies up to 123 lumens / watt

APPLICATIONS

- > Hospitals
- > Nursing Homes
- > Chronic care facilities
- > Retirement homes

FIXTURE PERFORMANCE DATA

**SPECIFICATIONS**

**Housing** – Precision die-formed 16-gauge C.R.S. housing with welded end plates

**Diffuser** – Features white opal lens for smooth and uniform illumination

**Finish** – Electrostatic powder finish applied post production on all surfaces for smooth edges and safe handling

**Electrical** – High quality mid-power LED boards. L70 >50,000 hours.

**Mounting** – Wall mounted

- Listings** –
- CSA certified as luminaire suitable for dry or damp locations.
  - UL certified as luminaire suitable for dry or damp locations.

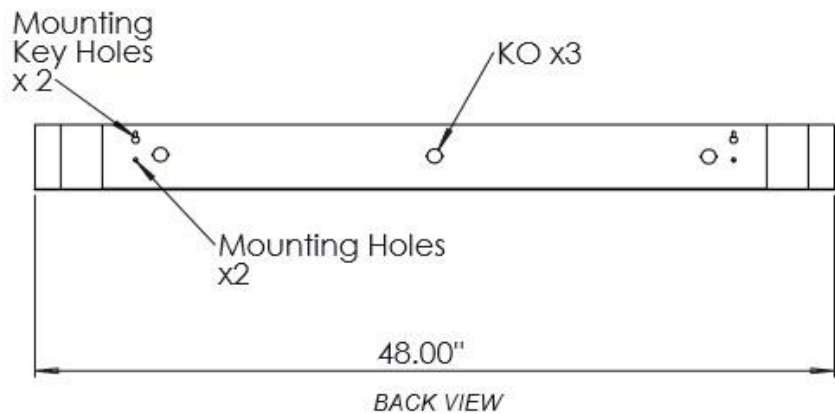
**Warranty** – 5-year limited warranty

LED PACKAGE	DELIVERED LUMENS	WATTAGE	EFFICACY (lm/W)
30 Up	3,386	29	116
50 Up	5,717	48	117
10 Down	1,113	9	123
30 Down	3,150	29	108
30 Up / 10 Down	4,455	36	123
30 Up / 30 Down	6,514	58	113
50 Up / 10 Down	6,696	57	117
50 Up / 30 Down	8,758	77	113

\*Results based on 4000K, 80 CRI, L2 White Opal Polycarbonate Lens

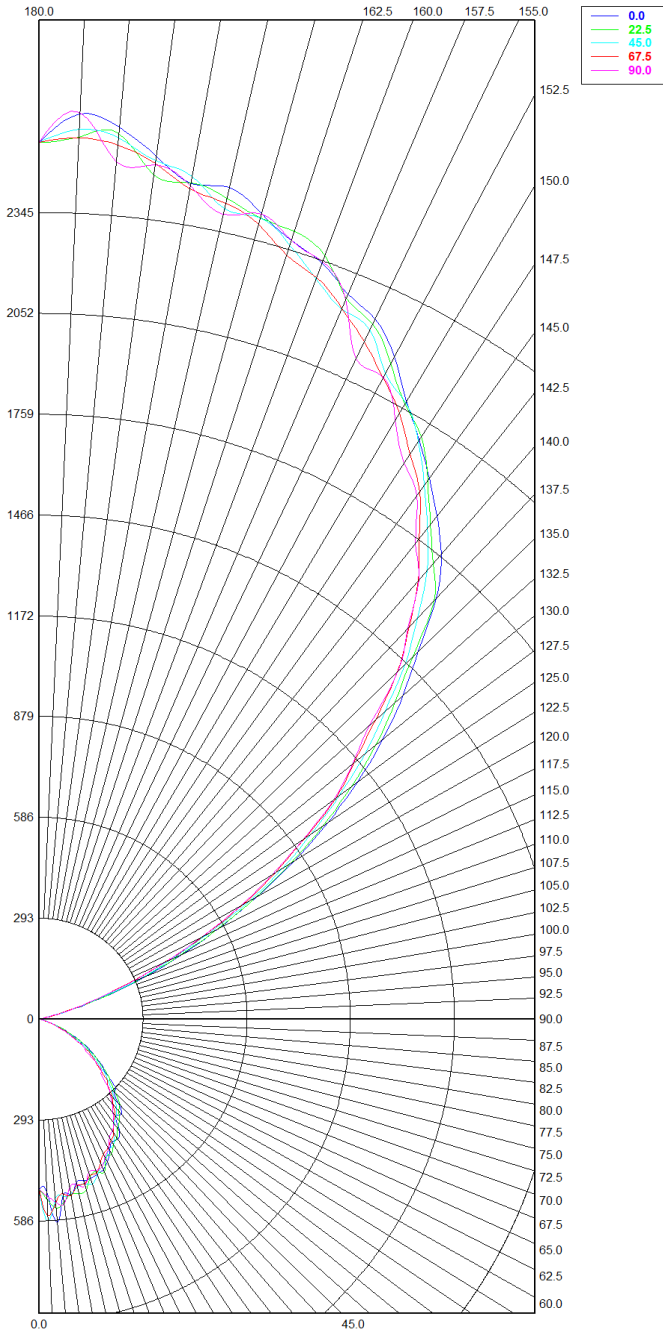
MULTIPLIER TABLE	
COLOR TEMPERATURE	
CCT/CRI	CONVERSION FACTOR
3000K / 80 CRI	0.95
3500K / 80 CRI	0.97
4000K / 80 CRI	1
5000K / 80 CRI	1.03

FIXTURE DETAILS



PHOTOMETRY

MBL1-LED-50-10-40-MVOLT Total Luminaire Output: 6,697 lumens; 57 Watts



**Zonal Lumen Summary**

Zone	Lumens	% Fixture
0.00° - 10.00°	51.30	0.77%
10.00° - 20.00°	139.65	2.08%
20.00° - 30.00°	205.21	3.06%
30.00° - 40.00°	235.39	3.51%
40.00° - 50.00°	223.60	3.34%
50.00° - 60.00°	165.25	2.47%
60.00° - 70.00°	81.45	1.22%
70.00° - 80.00°	16.95	0.25%
80.00° - 90.00°	4.03	0.06%
90.00° - 100.00°	1.73	0.03%
100.00° - 110.00°	76.54	1.14%
110.00° - 120.00°	419.50	6.26%
120.00° - 130.00°	842.67	12.58%
130.00° - 140.00°	1,124.86	16.79%
140.00° - 150.00°	1,179.11	17.60%
150.00° - 160.00°	1,009.87	15.07%
160.00° - 170.00°	677.50	10.11%
170.00° - 180.00°	244.38	3.65%
0.00° - 90.00°	1,122.84	16.76%
90.00° - 180.00°	5,576.15	83.24%
0.00° - 180.00°	6,698.99	100.00%

**Spacing Criterion:**

<b>Two luminaires, plane 0°</b>	1.27
<b>Two luminaires, plane 90°</b>	1.19
<b>Four luminaires</b>	1.31