

PROJECT: _____ NOTES: _____

ORDERING INFORMATION: _____

EXAMPLE	ALM	-	5	-	36	-	L	-	60	-	40	-	11	-	M1	-	MV	-	BL	-	WL	-	DM
	SERIES		DIRECTION		NOMINAL LENGTH		SOURCE		LUMENS		KELVINS		MOUNTING		LENS		VOLTAGE		FINISH		OPTIONS		DRIVER

ORDERING INFORMATION

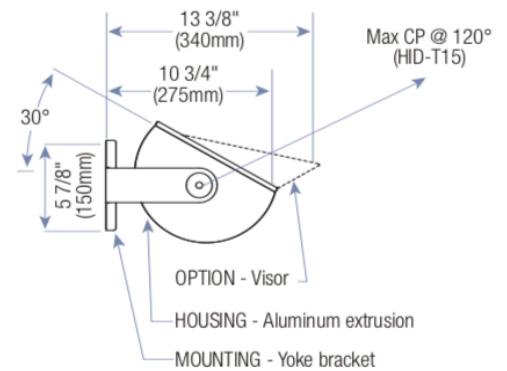
SERIES		KELVIN	
ALM		30	3000K
		35	3500K
		40	4000K
		50	5000K
		TW	Tunable White
DIRECTION		MOUNTING	
1		1	Yoke Bracket Wall Mounting*
2		2	Hinged Plate Wall Mount*
3		4	Cantilever Mounting
4		11	Wall Bracket Mounting
5		12	Arm Mounting
6		C	Custom
NOMINAL LENGTH		*Can only be installed with 24" fixture	
24	24"		
36	36"		
SOURCE		LENS	
L	LED	A1	Acrylic K12 (0.125")
		H1	White Opal
		M1	Clear Polycarbonate (0.125")
		L1	Frosted
LUMENS		VOLTAGE	
		MV	120-277V (0-10V dimming)
		347	347V (0-10V dimming)
		FINISH	
		BL	Black (standard)
		WH	White
		BR	Bronze
		SI	Silver
		RAL	Specify RAL Colour no.*
		*For large quantities only	
OPTIONS		DRIVER	
WL	Wet Location	BLANK	Non-dimming applications
PE	Pool Environment	DM	0-10V dimming
VS	Visor	DA	DALI driver

Lumen Package	Nom. Lumens	Wattage
24"		
40	4,000	29
60	6,000	45
36"		
60	6,000	43
120	12,000	88

Other lumen packages available.



SHOP DRAWING



FIXTURE PERFORMANCE DATA

SPECIFICATIONS

Housing Construction

- Extruded aluminum, die cast end plates with rotation stops
- Damp location listed

Reflector

- High reflective white reflector for optimum performance

Lensing

- Multiple lenses available for smooth and uniform illuminations

Finish

- Baked white enamel powder finish applied post production on all surfaces for smooth edges and safe handling

Electrical

- High quality mid-power LED boards. L70 >50,000 hours.

Mounting

- See next page

Listings

- cUL certified as luminaire suitable for dry or damp locations.

Warranty – 5-year limited warranty

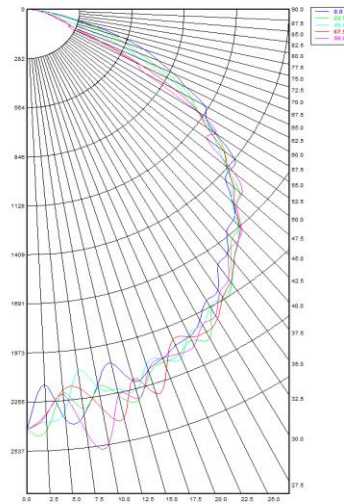
LED PACKAGE	DELIVERED LUMENS	WATTAGE	EFFICACY (lm/W)
24"			
10	1,083	11	98
30	3,246	28	116
36"			
30	3,122	25	125
40	4,161	34	122

*Results based on 4000K, 80 CRI, clear polycarbonate lens

MULTIPLIER TABLE	
COLOR TEMPERATURE	
CCT/CRI	CONVERSION FACTOR
3000K / 80 CRI	0.95
3500K / 80 CRI	0.97
4000K / 80 CRI	1
5000K / 80 CRI	1.03

PHOTOMETRY

ALM-24-LED-5-60-40-MVOLT Total Luminaire Output: 6,226 lumens; 45 Watts



Zonal Lumen Summary

Zone	Lumens	% Fixture
0.00° - 10.00°	220.22	3.54%
10.00° - 20.00°	631.97	10.15%
20.00° - 30.00°	964.31	15.49%
30.00° - 40.00°	1,178.81	18.93%
40.00° - 50.00°	1,225.22	19.68%
50.00° - 60.00°	1,075.91	17.28%
60.00° - 70.00°	639.80	10.27%
70.00° - 80.00°	240.78	3.87%
80.00° - 90.00°	49.06	0.79%
90.00° - 100.00°	0.45	0.01%
100.00° - 110.00°	0.09	0.00%
110.00° - 120.00°	0.08	0.00%
120.00° - 130.00°	0.05	0.00%
130.00° - 140.00°	0.07	0.00%
140.00° - 150.00°	0.03	0.00%
150.00° - 160.00°	0.03	0.00%
160.00° - 170.00°	0.02	0.00%
170.00° - 180.00°	0.01	0.00%
0.00° - 90.00°	6,226.09	99.99%
90.00° - 180.00°	0.83	0.01%
0.00° - 180.00°	6,226.91	100.00%

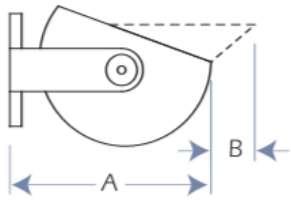
Spacing Criterion:

Two luminaires, plane 0°	1.2
Two luminaires, plane 90°	1.23
Four luminaires	1.35



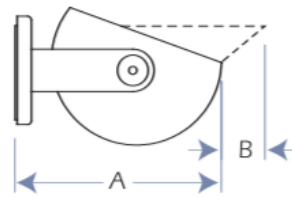
MOUNTING OPTIONS

1. Yoke Bracket Wall Mounting



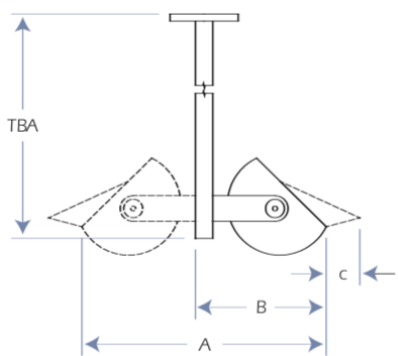
MODEL	A	B
ALM	10.5"	2.5"

2. Hinge Plate Wall Mounting



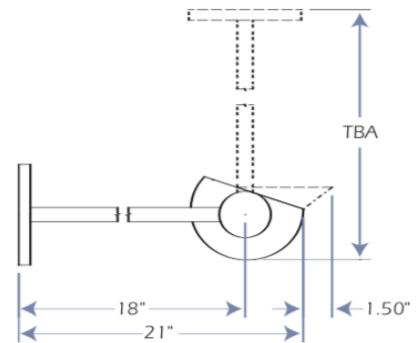
MODEL	A	B
ALM	11"	2.5"

4. Cantilever Mounting



MODEL	A	B	C
ALM	20.5"	11.5"	2.5"

12. Arm Mounting



11. Wall Bracket Mounting

