

PROJECT: _____ NOTES: _____

ORDERING INFORMATION: _____

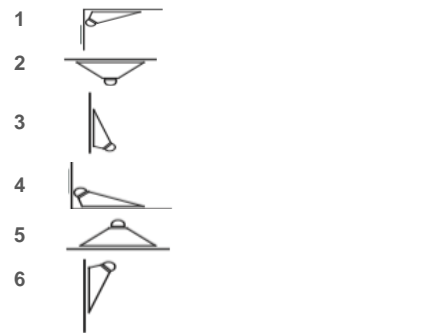
EXAMPLE	ALS	-	5	-	48	-	L	-	80	-	40	-	11	-	H1	-	MV	-	BL	-	WL	-	DM
	SERIES		DIRECTION		NOMINAL LENGTH		SOURCE		LUMENS		KELVINS		MOUNTING		LENS		VOLTAGE		FINISH		OPTIONS		DRIVER

ORDERING INFORMATION

SERIES

ALS

DIRECTION



NOMINAL LENGTH

24	24"
36	36"
48	48"
72	72"
96	96"

SOURCE

L LED

LUMENS

Lumen Package	Nom. Lumens	Wattage
24"		
10	1,000	11
30	3,000	28
36"		
30	3,000	25
40	4,000	34
48"		
40	4,000	31
80	8,000	63
72"		
60	6,000	54
120	12,000	101
96"		
100	10,000	73
160	16,000	125

Other lumen packages available.

KELVIN

30	3000K
35	3500K
40	4000K
50	5000K
TW	Tunable White

MOUNTING

1	Yoke Bracket Wall Mounting*
2	Hinged Plate Wall Mount*
4	Cantilever Mounting
7	Drywall Semi-Recessed Mounting*
11	Wall Bracket Mounting
12	Arm Mounting
C	Custom

*Can only be installed with 24" fixture

LENS

A1	Acrylic K12 - 0.125"
L1	Frosted
H1	White Opal
M1	Clear Polycarbonate (0.125")

VOLTAGE

MV	120-277V (0-10V dimming)
347	347V (0-10V dimming)

FINISH

BL	Black (standard)
WH	White
BR	Bronze
SI	Silver
RAL	Specify RAL Colour no.*

*For large quantities only

OPTIONS

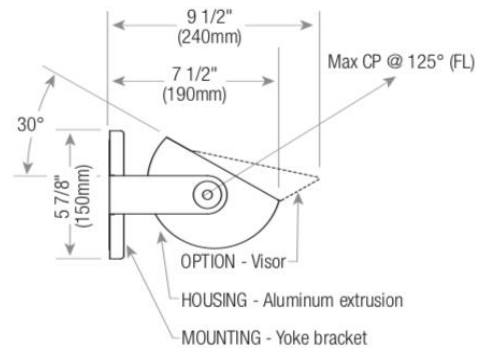
WL	Wet Location
PE	Pool Environment
VS	Visor

DRIVER

BLANK	Non-dimming applications
DM	0-10V dimming
DA	DALI driver



SHOP DRAWING



FIXTURE PERFORMANCE DATA

SPECIFICATIONS

Housing Construction

- Extruded aluminum, die cast end plates with rotation stops
- Damp location listed

Reflector

- High reflective white reflector for optimum performance

Lensing

- Multiple lenses available for smooth and uniform illuminations

Finish

- Baked white enamel powder finish applied post production on all surfaces for smooth edges and safe handling

Electrical

- High quality mid-power LED boards. L70 >50,000 hours.

Mounting

- See next page

Listings

- cUL certified as luminaire suitable for dry or damp locations.

Warranty – 5-year limited warranty

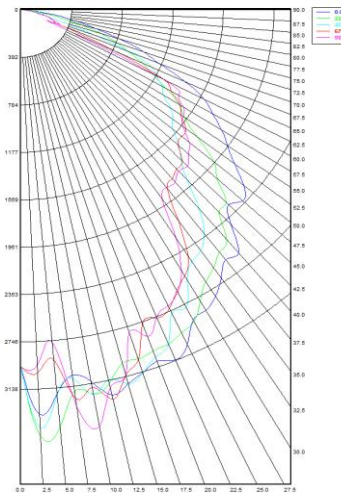
LED PACKAGE	DELIVERED LUMENS	WATTAGE	EFFICACY (lm/W)
24"			
10	1,083	11	98
30	3,246	28	116
36"			
30	3,122	25	125
40	4,161	34	122
48"			
40	4,174	31	135
80	8,336	63	132
72"			
60	6,237	54	115
120	12,467	101	123
96"			
100	10,478	73	143
160	16,750	125	134

*Results based on 4000K, 80 CRI, clear lens

MULTIPLIER TABLE	
COLOR TEMPERATURE	
CCT/CRI	CONVERSION FACTOR
3000K / 80 CRI	0.95
3500K / 80 CRI	0.97
4000K / 80 CRI	1
5000K / 80 CRI	1.03

PHOTOMETRY

ALS-5-48-LED-80-40-M1-MVOLT Total Luminaire Output: 8,336 lumens; 63 Watts



Zonal Lumen Summary

Zone	Lumens	% Fixture
0.00° - 10.00°	308.78	3.70%
10.00° - 20.00°	877.96	10.53%
20.00° - 30.00°	1,303.20	15.63%
30.00° - 40.00°	1,489.39	17.87%
40.00° - 50.00°	1,506.79	18.07%
50.00° - 60.00°	1,399.81	16.79%
60.00° - 70.00°	955.82	11.47%
70.00° - 80.00°	360.79	4.33%
80.00° - 90.00°	79.87	0.96%
90.00° - 100.00°	18.98	0.23%
100.00° - 110.00°	15.86	0.19%
110.00° - 120.00°	8.77	0.11%
120.00° - 130.00°	4.92	0.06%
130.00° - 140.00°	2.68	0.03%
140.00° - 150.00°	1.40	0.02%
150.00° - 160.00°	1.03	0.01%
160.00° - 170.00°	0.47	0.01%
170.00° - 180.00°	0.11	0.00%
0.00° - 90.00°	8,282.40	99.35%
90.00° - 180.00°	54.22	0.65%
0.00° - 180.00°	8,336.62	100.00%

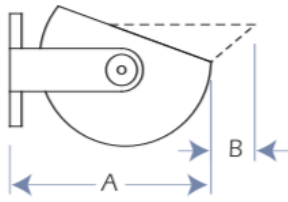
Spacing Criterion:

Two luminaires, plane 0°	1.4
Two luminaires, plane 90°	1.2
Four luminaires	1.31



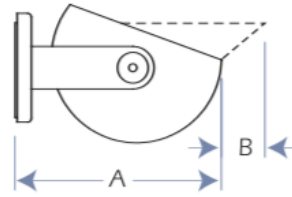
MOUNTING OPTIONS

1. Yoke Bracket Wall Mounting



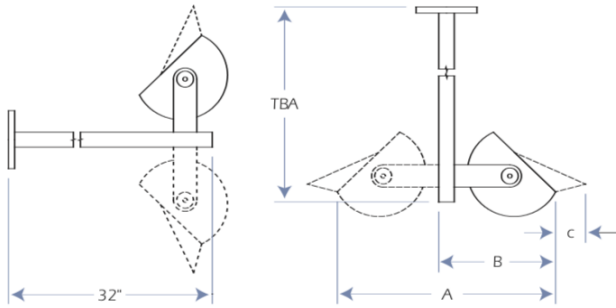
MODEL	A	B
ALS	7.5"	1.5"

2. Hinge Plate Wall Mounting



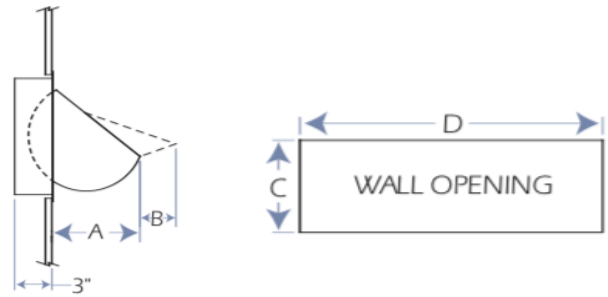
MODEL	A	B
ALS	8"	1.5"

4. Cantilever Mounting



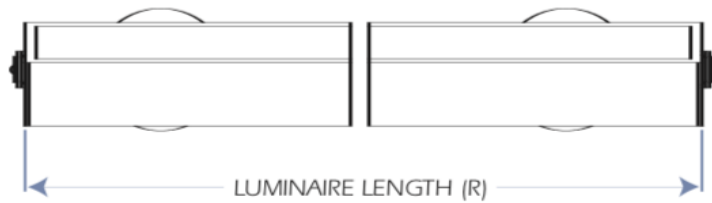
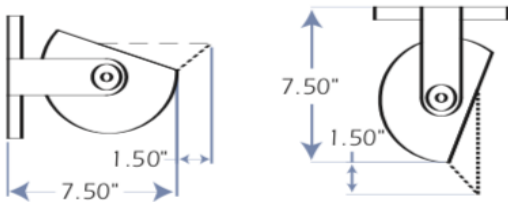
MODEL	A	B	C
ALS	15.5"	8.5"	1.5"

7. Drywall or Plaster Semi-Recessed Mounting



MODEL	A	B	CEILING OPENING	
			C	D
ALS	15.5"	8.5"	1.5"	Luminaire Length R+2.75"

11. Wall Bracket Mounting



12. Arm Mounting

