

PROJECT:

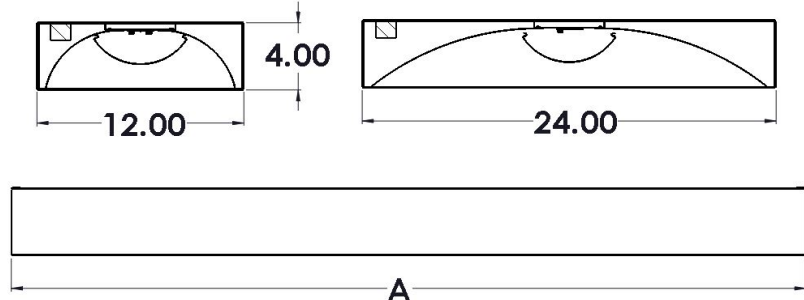
NOTES:

ORDERING INFORMATION:

**EXAMPLE** PUTX-L - 22 - LED - 40 - 40 - MV - EM - DM  
 SERIES    NOM. LENGTH    SOURCE    LUMENS    KELVINS    VOLTAGE    OPTIONS    DRIVER

SHOP DRAWINGS

	A
PUTX-L-14	46
PUTX-L-22	24
PUTX-L-24	46



ORDERING INFORMATION

**SERIES**

PUTX-L

**KELVIN**

30	3000K
35	3500K
40	4000K
50	5000K
TW	Tunable White

**NOMINAL LENGTH**

14	12" x 48"
22	24" x 24"
24	24" x 48"

**VOLTAGE**

MV	120-277V
347	347V

**SOURCE**

LED

**OPTIONS**

EM	Emergency Powerpack
9C	90 CRI

**LUMENS**

Lumen Package	Nom. Lumens	Wattage
<b>12" x 48"</b>		
30	3,000	20
40	4,000	28
50	5,000	33
<b>24" x 24"</b>		
30	3,000	20
40	4,000	29
50	5,000	35
<b>24" x 48"</b>		
30	3,000	20
40	4,000	29
50	5,000	35

**DRIVER**

BLANK	Non-dimming applications
DM	0-10V dimming
DA	DALI driver

FEATURES

- > Premium-grade, aesthetic LED luminaire with shallow elliptical lens
- > Delivers uniform and balanced illumination
- > Linear prismatic extruded acrylic diffuser for visual comfort & efficiency
- > Indirect reflectors provide soft, low glare indirect illumination
- > Minimum 80 CRI; color range 3000K - 5000K available
- > Tunable White option available
- > Multiple dimming protocols available
- > Energy-saving occupancy sensor option available
- > Efficacies up to 154 lm/W
- > 100% made in Canada

APPLICATIONS

- > Offices
- > Schools
- > Retail Stores
- > Hospitals
- > Corridors

Nominal lumen output based on 4000 CCT. May vary +/-5%. See fixture performance data.

\*Other lumen packages available. Specify in increments of 100 nominal lumens.

For example, to specify 4,700 nominal lumens:

PUTX-L - [...] - 47 - [...]

**FIXTURE PERFORMANCE DATA**

**SPECIFICATIONS**

**Housing**– Precision die-formed 20-gauge C.R.S.

**Reflector** – Precision formed and contoured to provide soft, low-glare, indirect illumination

**Shielding** – Central acrylic ribbed lens

**Finish** – Baked white enamel powder finish applied post production on all surfaces for smooth edges and safe handling

**Electrical** – High quality mid-power LED boards. L70 >50,000 hours

**Mounting** – Surface or Suspended

**Listings** –

- cUL certified as luminaire suitable for dry or damp locations.

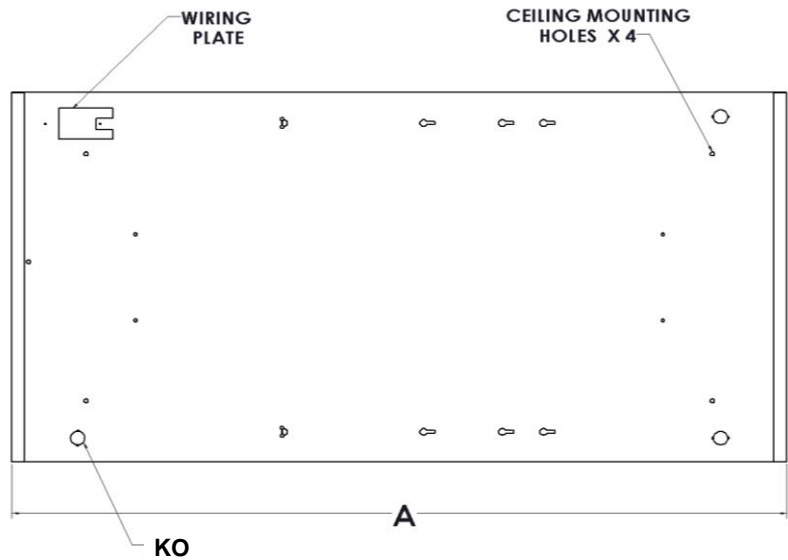
**Warranty** – 5-year limited warranty

LED PACKAGE	DELIVERED LUMENS	WATTAGE	EFFICACY (lm/W)
12" x 48"			
30	3,017	20	151
40	4,303	28	154
50	5,034	33	152
24" x 24"			
30	3,018	20	151
40	4,035	29	139
50	5,030	35	144
24" x 48"			
30	3,026	20	151
40	4,315	28	154
50	5,047	33	153

\*Results based on 4000K, 80 CRI, acrylic ribbed lens

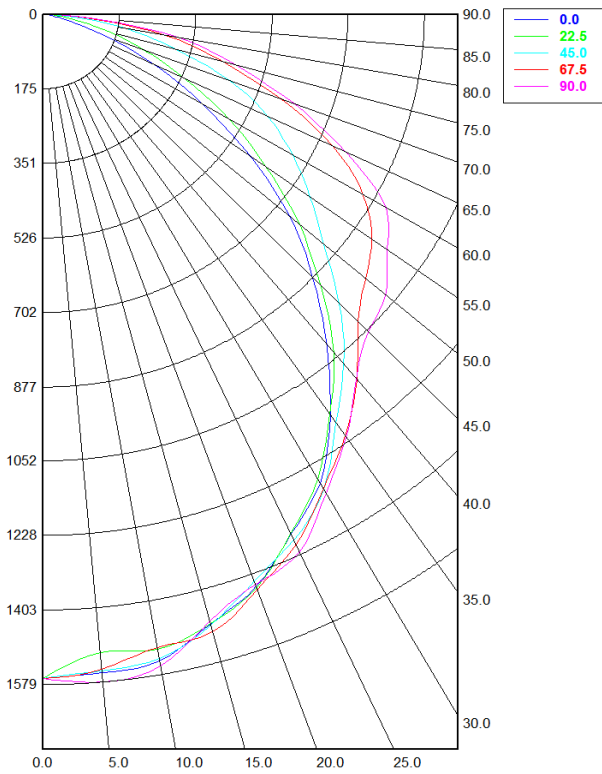
MULTIPLIER TABLE	
COLOR TEMPERATURE	
CCT/CRI	CONVERSION FACTOR
3000K / 80 CRI	0.95
3500K / 80 CRI	0.97
4000K / 80 CRI	1
5000K / 80 CRI	1.03

**FIXTURE DETAILS**



PHOTOMETRY

PUTX-L-22-LED-40-40-MVOLT Total Luminaire Output: 4,035 lumens; 29 Watts



Candela Distribution

	0.00°	22.50°	45.00°	67.50°	90.00°
0.00°	1,564.03	1,564.03	1,564.03	1,564.03	1,564.03
5.00°	1,556.86	1,509.58	1,551.70	1,548.58	1,578.52
10.00°	1,545.96	1,518.30	1,541.08	1,513.69	1,557.87
15.00°	1,486.61	1,486.19	1,489.28	1,506.19	1,480.16
20.00°	1,433.58	1,436.20	1,421.05	1,441.24	1,428.81
25.00°	1,350.26	1,348.00	1,364.84	1,377.04	1,396.61
30.00°	1,275.43	1,264.30	1,292.50	1,290.66	1,302.52
35.00°	1,152.42	1,151.02	1,176.13	1,212.78	1,216.59
40.00°	1,016.39	1,041.72	1,076.99	1,123.12	1,122.17
45.00°	878.90	904.33	964.84	1,025.66	1,057.81
50.00°	738.09	768.70	844.82	968.42	1,029.03
55.00°	580.02	624.56	751.22	923.35	965.79
60.00°	425.54	494.70	661.65	851.44	910.54
65.00°	287.79	362.89	570.85	736.79	770.58
70.00°	158.84	252.08	455.90	580.86	612.27
75.00°	66.37	155.65	314.30	423.45	453.15
80.00°	25.24	79.56	195.25	285.01	313.85
85.00°	13.91	28.13	73.54	101.37	106.94
90.00°	3.72	3.61	2.93	1.38	1.55

Spacing Criterion:

Two luminaires, plane 0°	1.2
Two luminaires, plane 90°	1.24
Four luminaires	1.32

Zonal Lumen Summary

Zone	Lumens	% Fixture
0.00° - 10.00°	156.01	3.62%
10.00° - 20.00°	418.71	9.72%
20.00° - 30.00°	626.64	14.55%
30.00° - 40.00°	737.18	17.12%
40.00° - 50.00°	746.10	17.33%
50.00° - 60.00°	685.51	15.92%
60.00° - 70.00°	539.78	12.54%
70.00° - 80.00°	309.66	7.19%
80.00° - 90.00°	85.90	2.00%
90.00° - 100.00°	0.72	0.02%
100.00° - 110.00°	0.00	0.00%
110.00° - 120.00°	0.00	0.00%
120.00° - 130.00°	0.00	0.00%
130.00° - 140.00°	0.00	0.00%
140.00° - 150.00°	0.00	0.00%
150.00° - 160.00°	0.00	0.00%
160.00° - 170.00°	0.00	0.00%
170.00° - 180.00°	0.00	0.00%
0.00° - 90.00°	4,305.48	100.00%
90.00° - 180.00°	0.72	0.02%
0.00° - 180.00°	4,305.48	100.00%