

PROJECT:

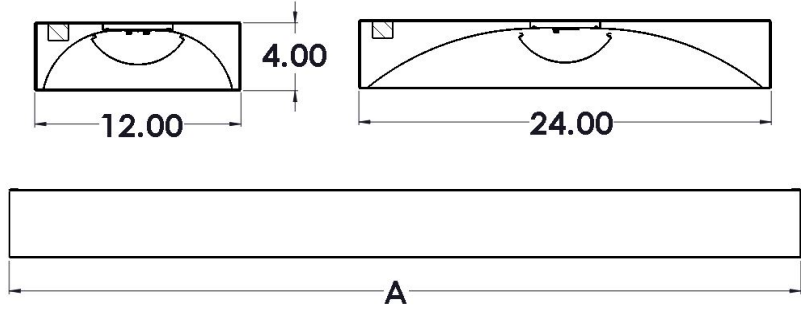
NOTES:

ORDERING INFORMATION:

EXAMPLE PUTX-L - 22 - LED - 40 - 40 -MVOLT- OCC - DIM
 SERIES NOM. LENGTH SOURCE LUMENS KELVINS VOLTAGE OPTIONS DRIVER

SHOP DRAWINGS

| | |
|-----------|----|
| | A |
| PUTX-L-14 | 46 |
| PUTX-L-22 | 24 |
| PUTX-L-24 | 46 |



ORDERING INFORMATION

| | |
|-----------------------|-------------------------|
| SERIES | KELVIN |
| PUTX-L | 30 3000K |
| | 35 3500K |
| | 40 4000K |
| | 50 5000K |
| | TW Tunable White |
| NOMINAL LENGTH | |
| 14 12"x 48" | |
| 22 24"x 24" | |
| 24 24"x 48" | |
| SOURCE | VOLTAGE |
| LED | MVOLT 120-277V |
| | 347 347V |
| | OPTIONS |
| | OCC Occupancy Sensor |

FEATURES

- > Premium-grade, aesthetic LED luminaire with shallow elliptical lens
- > Delivers uniform and balanced illumination
- > Linear prismatic extruded acrylic diffuser for visual comfort & efficiency
- > Indirect reflectors provide soft, low glare indirect illumination
- > Minimum 80 CRI; color range 3000K - 5000K available
- > Tunable White option available
- > Multiple dimming protocols available
- > Energy-saving occupancy sensor option available
- > Efficacies up to 154 lm/W
- > 100% made in Canada

LUMENS

| Lumen Package | Nom. Lumens | Wattage |
|------------------|-------------|---------|
| 12" x 48" | | |
| 30 | 3,000 | 20 |
| 40 | 4,000 | 28 |
| 50 | 5,000 | 33 |
| 24" x 24" | | |
| 30 | 3,000 | 20 |
| 40 | 4,000 | 29 |
| 50 | 5,000 | 35 |
| 24" x 48" | | |
| 30 | 3,000 | 20 |
| 40 | 4,000 | 29 |
| 50 | 5,000 | 35 |

Nominal lumen output based on 4000 CCT. May vary +/-5%. See fixture performance data.
 *Other lumen packages available. Specify in increments of 100 nominal lumens.
 For example, to specify 4,700 nominal lumens:
 PUTX-L - [...] - 47 - [...]

FIXTURE PERFORMANCE DATA

SPECIFICATIONS

Housing– Precision die-formed 20-gauge C.R.S.

Reflector – Precision formed and contoured to provide soft, low-glare, indirect illumination

Shielding – Central acrylic ribbed lens

Finish – Baked white enamel powder finish applied post production on all surfaces for smooth edges and safe handling

Electrical – High quality mid-power LED boards. L70 >50,000 hours

Mounting – Surface or Suspended

- Listings** –
- CSA certified as luminaire suitable for dry or damp locations.
 - cUL certified as luminaire suitable for dry or damp locations.

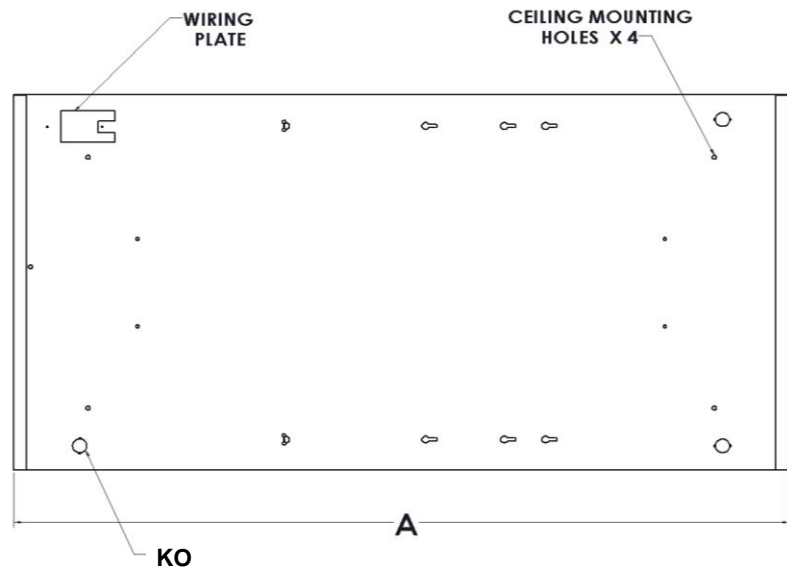
Warranty – 5-year limited warranty

| LED PACKAGE | DELIVERED LUMENS | WATTAGE | EFFICACY (lm/W) |
|-------------|------------------|---------|-----------------|
| 12" x 48" | | | |
| 30 | 3,017 | 20 | 151 |
| 40 | 4,303 | 28 | 154 |
| 50 | 5,034 | 33 | 152 |
| 24" x 24" | | | |
| 30 | 3,018 | 20 | 151 |
| 40 | 4,035 | 29 | 139 |
| 50 | 5,030 | 35 | 144 |
| 24" x 48" | | | |
| 30 | 3,026 | 20 | 151 |
| 40 | 4,315 | 28 | 154 |
| 50 | 5,047 | 33 | 153 |

*Results based on 4000K, 80 CRI, acrylic ribbed lens

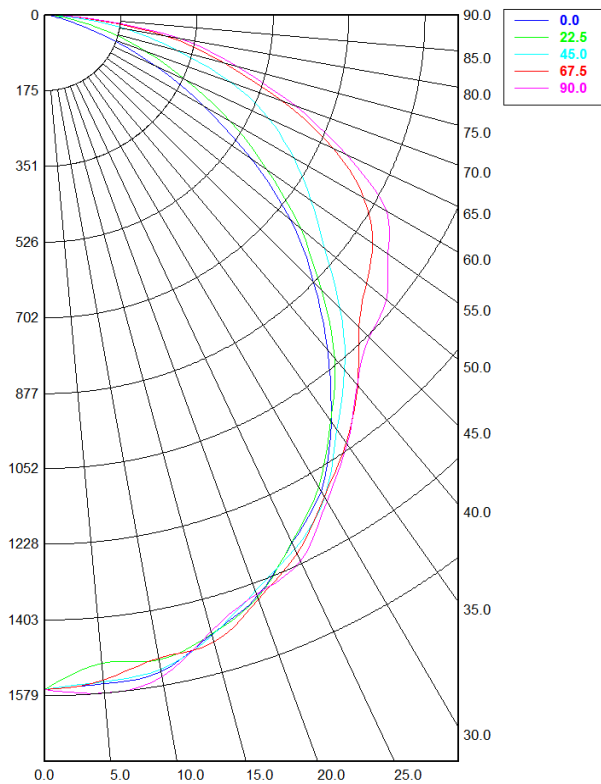
| MULTIPLIER TABLE | |
|-------------------|-------------------|
| COLOR TEMPERATURE | |
| CCT/CRI | CONVERSION FACTOR |
| 3000K / 80 CRI | 0.95 |
| 3500K / 80 CRI | 0.97 |
| 4000K / 80 CRI | 1 |
| 5000K / 80 CRI | 1.03 |

FIXTURE DETAILS



PHOTOMETRY

PUTX-L-22-LED-40-40-MVOLT Total Luminaire Output: 4,035 lumens; 29 Watts



Candela Distribution

| | 0.00° | 22.50° | 45.00° | 67.50° | 90.00° |
|--------|----------|----------|----------|----------|----------|
| 0.00° | 1,564.03 | 1,564.03 | 1,564.03 | 1,564.03 | 1,564.03 |
| 5.00° | 1,556.86 | 1,509.58 | 1,551.70 | 1,548.58 | 1,578.52 |
| 10.00° | 1,545.96 | 1,518.30 | 1,541.08 | 1,513.69 | 1,557.87 |
| 15.00° | 1,486.61 | 1,486.19 | 1,489.28 | 1,506.19 | 1,480.16 |
| 20.00° | 1,433.58 | 1,436.20 | 1,421.05 | 1,441.24 | 1,428.81 |
| 25.00° | 1,350.26 | 1,348.00 | 1,364.84 | 1,377.04 | 1,396.61 |
| 30.00° | 1,275.43 | 1,264.30 | 1,292.50 | 1,290.66 | 1,302.52 |
| 35.00° | 1,152.42 | 1,151.02 | 1,176.13 | 1,212.78 | 1,216.59 |
| 40.00° | 1,016.39 | 1,041.72 | 1,076.99 | 1,123.12 | 1,122.17 |
| 45.00° | 878.90 | 904.33 | 964.84 | 1,025.66 | 1,057.81 |
| 50.00° | 738.09 | 768.70 | 844.82 | 968.42 | 1,029.03 |
| 55.00° | 580.02 | 624.56 | 751.22 | 923.35 | 965.79 |
| 60.00° | 425.54 | 494.70 | 661.65 | 851.44 | 910.54 |
| 65.00° | 287.79 | 362.89 | 570.85 | 736.79 | 770.58 |
| 70.00° | 158.84 | 252.08 | 455.90 | 580.86 | 612.27 |
| 75.00° | 66.37 | 155.65 | 314.30 | 423.45 | 453.15 |
| 80.00° | 25.24 | 79.56 | 195.25 | 285.01 | 313.85 |
| 85.00° | 13.91 | 28.13 | 73.54 | 101.37 | 106.94 |
| 90.00° | 3.72 | 3.61 | 2.93 | 1.38 | 1.55 |

Spacing Criterion:

| | |
|---------------------------|------|
| Two luminaires, plane 0° | 1.2 |
| Two luminaires, plane 90° | 1.24 |
| Four luminaires | 1.32 |

Zonal Lumen Summary

| Zone | Lumens | % Fixture |
|-------------------|----------|-----------|
| 0.00° - 10.00° | 156.01 | 3.62% |
| 10.00° - 20.00° | 418.71 | 9.72% |
| 20.00° - 30.00° | 626.64 | 14.55% |
| 30.00° - 40.00° | 737.18 | 17.12% |
| 40.00° - 50.00° | 746.10 | 17.33% |
| 50.00° - 60.00° | 685.51 | 15.92% |
| 60.00° - 70.00° | 539.78 | 12.54% |
| 70.00° - 80.00° | 309.66 | 7.19% |
| 80.00° - 90.00° | 85.90 | 2.00% |
| 90.00° - 100.00° | 0.72 | 0.02% |
| 100.00° - 110.00° | 0.00 | 0.00% |
| 110.00° - 120.00° | 0.00 | 0.00% |
| 120.00° - 130.00° | 0.00 | 0.00% |
| 130.00° - 140.00° | 0.00 | 0.00% |
| 140.00° - 150.00° | 0.00 | 0.00% |
| 150.00° - 160.00° | 0.00 | 0.00% |
| 160.00° - 170.00° | 0.00 | 0.00% |
| 170.00° - 180.00° | 0.00 | 0.00% |
| 0.00° - 90.00° | 4,305.48 | 100.00% |
| 90.00° - 180.00° | 0.72 | 0.02% |
| 0.00° - 180.00° | 4,305.48 | 100.00% |