

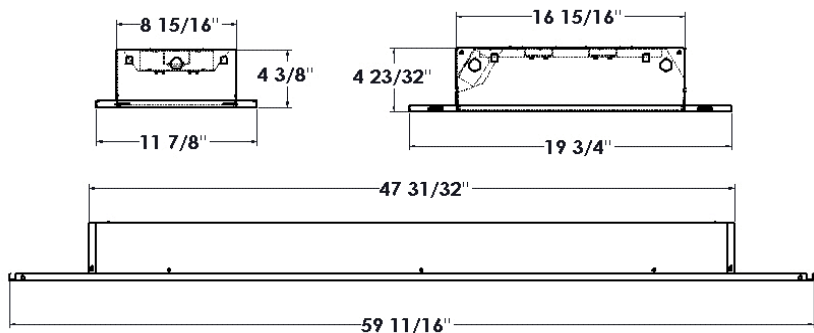
PROJECT:

NOTES:

ORDERING INFORMATION:

**EXAMPLE** PRJ-H - I - L - 40 - 9 - 30 - H1 - 347 - EM - D1  
 SERIES      NOM. LENGTH      SOURCE      LUMENS      CRI      KELVIN      DIFFUSER      VOLTAGE      OPTIONS      DRIVER

SHOP DRAWINGS



ORDERING INFORMATION

SERIES	KELVIN
PRJ-P Static	30 3000K
PRJ-H Air Handling	35 3500K
	40 4000K
	50 5000K
	TW Tunable White

NOMINAL LENGTH
I (Imperial) 20" x 60"
M (Metric) 0.5m x 1.5m

SOURCE
L LED

LUMENS								
<table border="1"> <thead> <tr> <th>Lumen Package*</th> <th>Nom. Lumens</th> </tr> </thead> <tbody> <tr> <td>30</td> <td>3,000</td> </tr> <tr> <td>40</td> <td>4,000</td> </tr> <tr> <td>50</td> <td>5,000</td> </tr> </tbody> </table>	Lumen Package*	Nom. Lumens	30	3,000	40	4,000	50	5,000
Lumen Package*	Nom. Lumens							
30	3,000							
40	4,000							
50	5,000							

CRI
BLANK 80 CRI
9 90 CRI

DIFFUSER
A0 Acrylic K12 - 0.095"
A1 Acrylic K12 - 0.125"
H1 White Opal Acrylic - 0.118"
L1 Frosted Acrylic - 0.118"

VOLTAGE
MV 120-277V
347 347V

OPTIONS
EM Emergency Power Pack
OS Internal occupancy and daylight harvesting sensor (OSM3D-DDW)

DRIVERS
ND Non-dimming applications
D 0-10V dimming
D1 0-10V dimming to 1%
DA DALI driver

FEATURES

- > Premium grade troffer for applications with five foot modular or 1.5 meter T-Bar ceilings
- > Available as a static or air handling luminaire
- > Variety of lenses available for smooth and uniform illumination
- > Minimum 80 CRI; color range 3000K - 5000K available
- > Highly reflective white paint for superior efficiency

APPLICATIONS

- > Offices
- > Schools
- > Commercial
- > Healthcare applications
- > Institutional lighting
- > Government buildings

## LED

## FIXTURE PERFORMANCE DATA

## SPECIFICATIONS

**Housing/Reflector** – Precision die-formed 20-gauge C.R.S.

**Faceplate** – One piece faceplate without any welds or joints

**Diffuser** – Prismatic acrylic diffuser is standard. Variety of lenses available for uniform and smooth illumination.

**Finish** – Baked white enamel powder finish applied post production on all surfaces for smooth edges and safe handling.

**Electrical** – High quality mid-power LED boards. L70 >72,000 hours reported / 129,200 hours calculated. L85 >50,000 hours.

**Mounting** – Five foot modular T-bar ceiling or 0.5m x 1.5m T-bar ceiling

## Listings –

■ cUL certified as luminaire suitable for dry or damp locations.

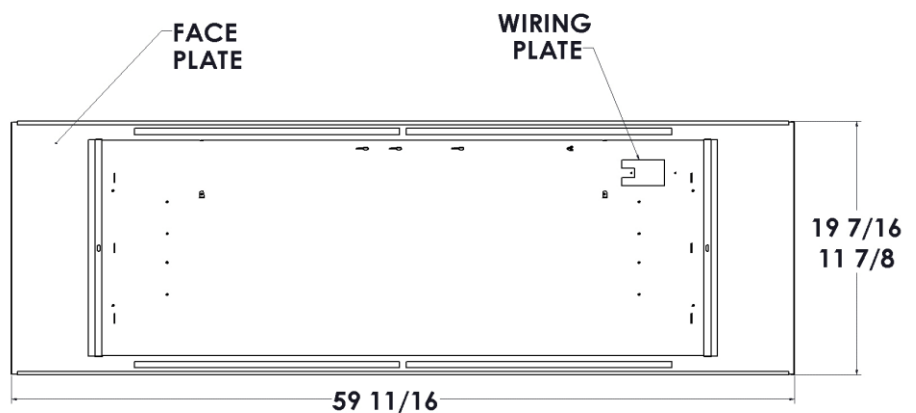
**Warranty** – 5-year limited warranty

LED PACKAGE	DELIVERED LUMENS	WATTAGE	EFFICACY (lm/W)
30	3,015	21	144
40	4,061	26	156
50	5,247	34	154

\*Results based on 4000K, 80 CRI, Lens A0

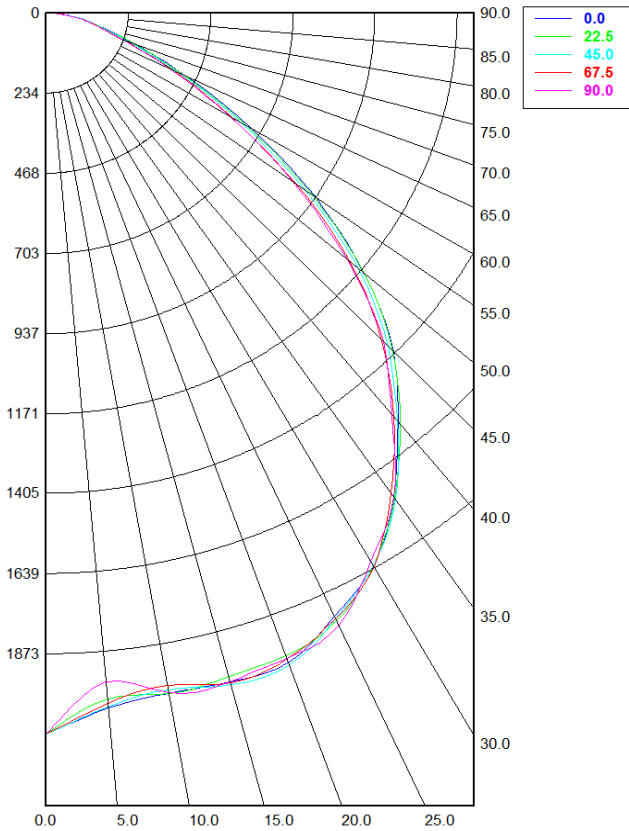
MULTIPLIER TABLE	
COLOR TEMPERATURE	
CCT/CRI	CONVERSION FACTOR
3000K / 80 CRI	0.95
3500K / 80 CRI	0.97
4000K / 80 CRI	1
5000K / 80 CRI	1.03

## FIXTURE DETAILS



PHOTOMETRY

PRJ-H-I-22-L-50-40-A0-MVOLT Total Luminaire Output: 5,247 lumens; 34 Watts



Candela Distribution

	0.00°	22.50°	45.00°	67.50°	90.00°
0.00°	2,107.57	2,107.57	2,107.57	2,107.57	2,107.57
5.00°	2,039.36	2,012.04	2,036.39	2,026.49	1,963.85
10.00°	2,019.54	2,021.18	2,009.03	1,996.71	2,018.59
15.00°	2,024.95	2,008.12	2,033.81	2,027.25	2,023.39
20.00°	2,019.42	1,998.76	2,027.07	2,009.55	2,007.33
25.00°	1,947.20	1,961.45	1,954.79	1,953.54	1,976.03
30.00°	1,866.10	1,867.39	1,866.07	1,869.11	1,852.64
35.00°	1,728.24	1,732.36	1,736.93	1,712.62	1,729.03
40.00°	1,559.95	1,570.15	1,557.41	1,543.44	1,532.52
45.00°	1,400.26	1,398.00	1,377.89	1,352.16	1,358.95
50.00°	1,185.34	1,184.26	1,162.41	1,133.51	1,122.06
55.00°	932.65	924.39	892.43	863.13	853.67
60.00°	672.00	659.46	637.98	607.65	601.19
65.00°	447.97	439.29	419.18	406.16	389.09
70.00°	268.38	267.40	255.28	233.90	235.78
75.00°	167.45	163.29	157.25	151.91	149.97
80.00°	99.37	102.08	103.83	97.23	96.36
85.00°	41.74	44.63	44.93	46.18	43.67
90.00°	10.09	12.48	10.12	10.04	8.09

Spacing Criterion:

Two luminaires, plane 0°	1.29
Two luminaires, plane 90°	1.29
Four luminaires	1.35

Zonal Lumen Summary

Zone	Lumens	% Fixture
0.00° - 10.00°	204.79	3.90%
10.00° - 20.00°	571.40	10.89%
20.00° - 30.00°	897.79	17.11%
30.00° - 40.00°	1,072.62	20.44%
40.00° - 50.00°	1,050.72	20.02%
50.00° - 60.00°	795.12	15.15%
60.00° - 70.00°	424.80	8.10%
70.00° - 80.00°	175.55	3.35%
80.00° - 90.00°	54.28	1.03%
90.00° - 100.00°	2.86	0.05%
100.00° - 110.00°	0.00	0.00%
110.00° - 120.00°	0.00	0.00%
120.00° - 130.00°	0.00	0.00%
130.00° - 140.00°	0.00	0.00%
140.00° - 150.00°	0.00	0.00%
150.00° - 160.00°	0.00	0.00%
160.00° - 170.00°	0.00	0.00%
170.00° - 180.00°	0.00	0.00%
0.00° - 90.00°	5,247.07	100.00%
90.00° - 180.00°	2.86	0.05%
0.00° - 180.00°	5,247.07	100.00%