

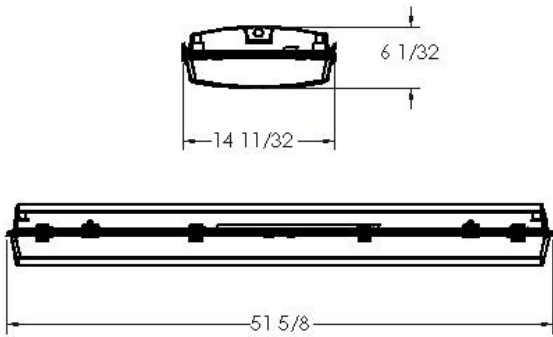
PROJECT:

NOTES:

ORDERING INFORMATION:

EXAMPLE PUAC-B - 48 - L - 240 - 9 - 50 - FRP - MV - BC10 - CLE3 - DM
 SERIES NOM. LENGTH SOURCE LUMENS CRI KELVINS LENS VOLTAGE OPTIONS CONTROLS DRIVER

SHOP DRAWINGS



ORDERING INFORMATION

SERIES	
PUAC-B	
NOMINAL LENGTH	
22	22"
48	52"

KELVIN	
30	3000K
35	3500K
40	4000K
50	5000K
TW	Tunable White

LENS	
BLANK	Clear Acrylic
FR	Frosted Acrylic
FRP	Frosted Polycarbonate
CP	Clear Polycarbonate

VOLTAGE	
MV	120-277V
347	347V

SOURCE	
L	LED

LUMENS

Lumen Package*	Nom. Lumens	Wattage
22"		
100	10,000	69
120	12,000	83
48"		
120	12,000	78
160	16,000	98
200	20,000	138
240	24,000	166
300	30,000	207
400**	40,000	251

*Other lumen packages available.

**Only possible with clear lens and ambient temperature must be below 40 Celsius

CRI	
BLANK	80 CRI
9	90 CRI

OPTIONS	
BC#	Black Cab Tire Wire #ft
WC#	White Cab Tire Wire #ft
CS#	Chain Suspension Kit #ft
CM	Center Mount Option
AC#	Aircraft Suspension Kit #ft
EM	Emergency Power Pack
NB	Narrow Beam
RM*	Rigid Mount (pipe thread supplied by others)

*Special housing needed for this type of mounting

CONTROLS
 Click on the following link for control options:
<https://bit.ly/2C5IXqa>

DRIVER
 BLANK Non-dimming applications
 DM 0-10V dimming
 DA DALI driver
 Click on the following link for special driver options:
<https://bit.ly/2FqZ6qU>

FEATURES

- > Robust luminaire built to withstand wet and harsh locations
- > Suitable for food processing and cold storage environments
- > Versatile fixture for indoor or outdoor, hot or cold, low mount or high mount applications
- > Luminaire 100% assembled with NSF listed components (housings, lenses, latches and brackets)
- > IP65/66/67 rating
- > Durable construction and long-lasting electrical components
- > Variety of lenses available to optimize illumination characteristics appropriate to specific application
- > Efficacies up to 159 lm/W
- > Made in Canada
- > Stainless Steel Latches

APPLICATIONS

- > Food Processing Facilities
- > Manufacturing Plants
- > Parking garages
- > Cold Storage
- > Industrial applications
- > Pulp and Paper Mills
- > Swimming Pool Complexes
- > Warehouses

LED

FIXTURE PERFORMANCE DATA

SPECIFICATIONS

Housing/Reflector – One-piece 5VA fiberglass housing with continuous poured-in-place, closed-cell gasket

Shielding – Variety of lenses available

Finish – White fiberglass housing suitable for outdoor use with respect to exposure to ultraviolet light, water exposure and immersion.

Electrical – High quality mid-power LED boards. L85 >50,000 hours.

Mounting – Suspended or surface

Listings –

- CSA certified as luminaire suitable for wet, dry or damp locations.
- cUL certified as luminaire suitable for wet, dry or damp locations.
- IP65, IP66, IP67 rated.
- NEMA 4X

Warranty – 5-year limited warranty

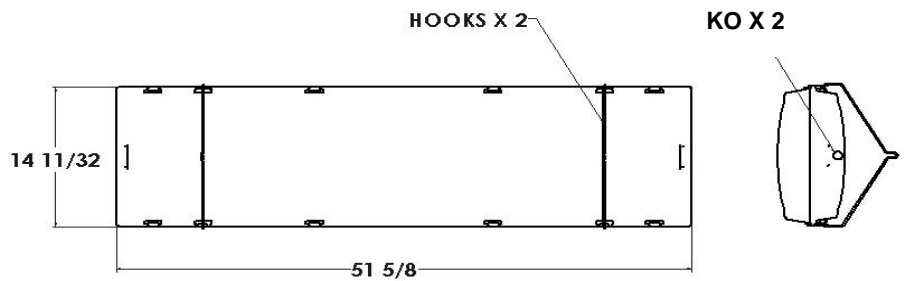
LED PACKAGE	DELIVERED LUMENS	WATTAGE	EFFICACY (lm/W)
22"			
100	10,444	69	151
120	12,531	83	151
48"			
120	12,391	78	159
160	15,473	98	158
200	20,625	138	149
240	24,755	166	149

*Tested in accordance with IESNA LM-79 (based on 25 degrees Celsius)

**Results based on 4000K, 80 CRI, Lens (FR)

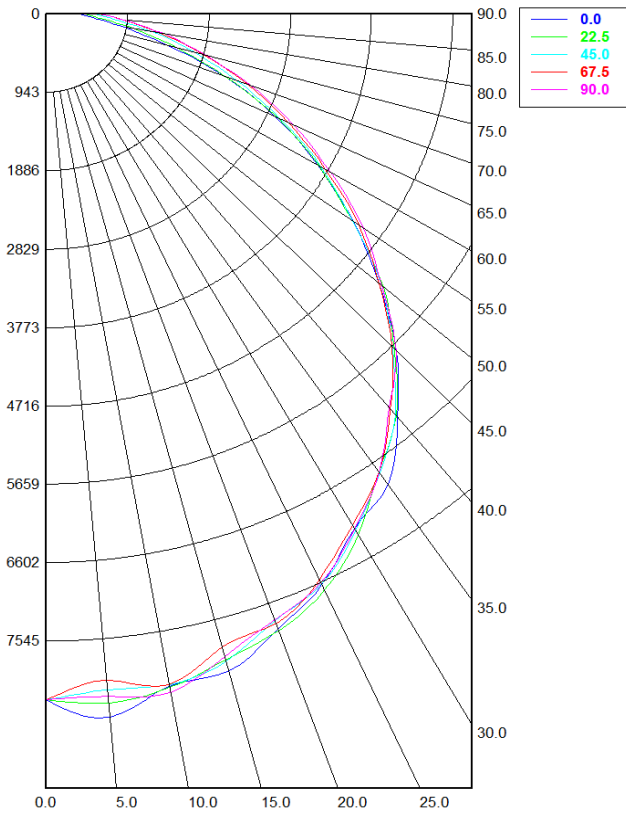
MULTIPLIER TABLE	
COLOR TEMPERATURE	
CCT/CRI	CONVERSION FACTOR
3000K / 80 CRI	0.95
3500K / 80 CRI	0.97
4000K / 80 CRI	1
5000K / 80 CRI	1.03

FIXTURE DETAILS



PHOTOMETRY

PUAC-B-L-240-40-MV-FR Total Luminaire Output: 24,755 lumens; 166 Watts



Candela Distribution

	0.00°	22.50°	45.00°	67.50°	90.00°
0.00°	8,251.10	8,251.10	8,251.10	8,251.10	8,251.10
5.00°	8,488.21	8,317.50	8,159.27	8,047.52	8,242.14
10.00°	8,211.48	8,229.74	8,190.18	8,192.08	8,285.72
15.00°	8,183.20	8,044.62	8,058.03	7,885.50	8,001.69
20.00°	7,862.92	7,890.03	7,761.79	7,797.45	7,755.07
25.00°	7,580.44	7,646.98	7,567.87	7,503.97	7,546.46
30.00°	7,153.59	7,244.81	7,181.68	7,112.56	7,159.89
35.00°	6,914.63	6,728.60	6,749.76	6,733.08	6,738.94
40.00°	6,347.12	6,322.89	6,299.27	6,214.02	6,196.22
45.00°	5,751.03	5,715.07	5,682.58	5,675.58	5,742.64
50.00°	5,043.72	5,107.21	5,083.58	5,046.41	5,088.18
55.00°	4,358.11	4,340.58	4,361.02	4,432.50	4,497.33
60.00°	3,632.06	3,645.62	3,681.45	3,740.92	3,811.19
65.00°	2,926.12	2,943.09	2,996.08	3,095.72	3,154.65
70.00°	2,205.09	2,205.06	2,346.41	2,478.27	2,513.16
75.00°	1,432.22	1,541.42	1,770.00	1,878.91	1,899.66
80.00°	888.67	1,019.66	1,248.21	1,344.06	1,378.63
85.00°	543.49	610.83	787.96	900.24	900.21
90.00°	355.80	432.24	571.99	616.73	624.69

Spacing Criterion:

Two luminaires, plane 0°	1.3
Two luminaires, plane 90°	1.27
Four luminaires	1.39

Zonal Lumen Summary

Zone	Lumens	% Fixture
0.00° - 10.00°	833.13	3.36%
10.00° - 20.00°	2,261.29	9.13%
20.00° - 30.00°	3,469.34	14.01%
30.00° - 40.00°	4,214.07	17.02%
40.00° - 50.00°	4,382.67	17.70%
50.00° - 60.00°	3,914.58	15.81%
60.00° - 70.00°	2,981.78	12.04%
70.00° - 80.00°	1,832.26	7.40%
80.00° - 90.00°	877.26	3.54%
90.00° - 100.00°	144.64	0.58%