

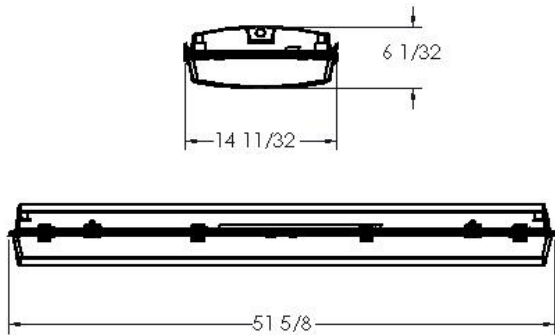
PROJECT:

NOTES:

ORDERING INFORMATION:

EXAMPLE PUAC-B - 48 - L - 240 - 9 - 50 - FRP - MV - BC10 - CLE3 - DM
 SERIES NOM. LENGTH SOURCE LUMENS CRI KELVINS LENS VOLTAGE OPTIONS CONTROLS DRIVER

SHOP DRAWINGS



ORDERING INFORMATION

SERIES	
PUAC-B	
NOMINAL LENGTH	
22	22"
48	52"
SOURCE	
L	LED

KELVIN	
30	3000K
35	3500K
40	4000K
50	5000K
TW	Tunable White
LENS	
BLANK	Clear Acrylic
FR	Frosted Acrylic
FRP	Frosted Polycarbonate
CP	Clear Polycarbonate
VOLTAGE	
MV	120-277V
347	347V
OPTIONS	
BC#	Black Cab Tire Wire #ft
WC#	White Cab Tire Wire #ft
CS#	Chain Suspension Kit #ft
CM	Center Mount Option
AC#	Aircraft Suspension Kit #ft
EM	Emergency Power Pack
NB	Narrow Beam
RM*	Rigid Mount (pipe thread supplied by others)
*Special housing needed for this type of mounting	
CONTROLS	
Click on the following link for control options: https://bit.ly/2C5IXqa	
DRIVER	
BLANK	Non-dimming applications
DM	0-10V dimming
DA	DALI driver
Click on the following link for special driver options: https://bit.ly/2FqZ6qU	

LUMENS

Lumen Package*	Nom. Lumens	Wattage
22"		
100	10,000	69
120	12,000	83
48"		
120	12,000	78
160	16,000	98
200	20,000	138
240	24,000	166
300	30,000	207
400**	40,000	251

*Other lumen packages available.
 **Only possible with clear lens and ambient temperature must be below 40 Celsius

CRI	
BLANK	80 CRI
9	90 CRI

FEATURES

- > Robust luminaire built to withstand wet and harsh locations
- > Suitable for food processing and cold storage environments
- > Versatile fixture for indoor or outdoor, hot or cold, low mount or high mount applications
- > NSF and NEMA 4X certified
- > IP65/66/67 rating
- > Durable construction and long-lasting electrical components
- > Variety of lenses available to optimize illumination characteristics appropriate to specific application
- > Efficacies up to 159 lm/W
- > Made in Canada
- > Stainless Steel Latches

APPLICATIONS

- > Food Processing Facilities
- > Manufacturing Plants
- > Parking garages
- > Cold Storage
- > Industrial applications
- > Pulp and Paper Mills
- > Swimming Pool Complexes
- > Warehouses

LED

FIXTURE PERFORMANCE DATA

SPECIFICATIONS

Housing/Reflector – One-piece 5VA fiberglass housing with continuous poured-in-place, closed-cell gasket

Shielding – Variety of lenses available

Finish – White fiberglass housing suitable for outdoor use with respect to exposure to ultraviolet light, water exposure and immersion.

Electrical – High quality mid-power LED boards. L85 >50,000 hours.

Mounting – Suspended or surface

Listings –

- CSA certified as luminaire suitable for wet, dry or damp locations.
- cUL certified as luminaire suitable for wet, dry or damp locations.
- DLC certified (consult factory for listing)
- IP65, IP66, IP67 rated.
- NEMA 4X and NSF compliant.

Warranty – 5-year limited warranty

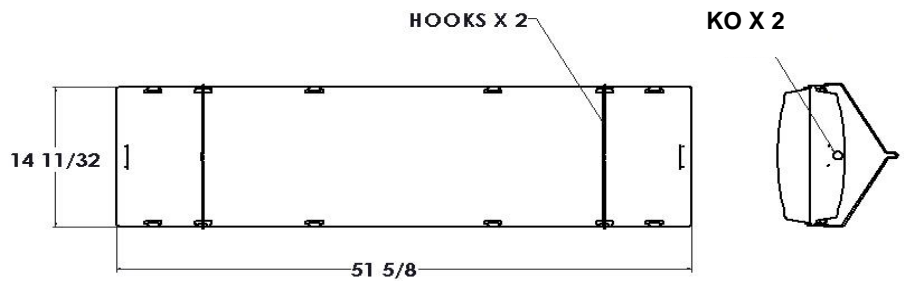
LED PACKAGE	DELIVERED LUMENS	WATTAGE	EFFICACY (lm/W)
22"			
100	10,444	69	151
120	12,531	83	151
48"			
120	12,391	78	159
160	15,473	98	158
200	20,625	138	149
240	24,755	166	149

*Tested in accordance with IESNA LM-79 (based on 25 degrees Celsius)

**Results based on 4000K, 80 CRI, Lens (FR)

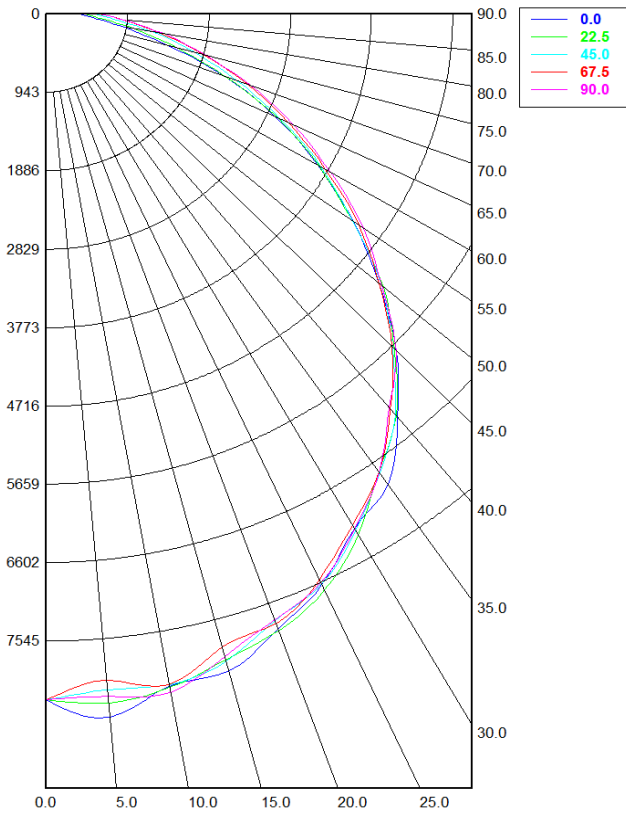
MULTIPLIER TABLE	
COLOR TEMPERATURE	
CCT/CRI	CONVERSION FACTOR
3000K / 80 CRI	0.95
3500K / 80 CRI	0.97
4000K / 80 CRI	1
5000K / 80 CRI	1.03

FIXTURE DETAILS



PHOTOMETRY

PUAC-B-L-240-40-MV-FR Total Luminaire Output: 24,755 lumens; 166 Watts



Candela Distribution

	0.00°	22.50°	45.00°	67.50°	90.00°
0.00°	8,251.10	8,251.10	8,251.10	8,251.10	8,251.10
5.00°	8,488.21	8,317.50	8,159.27	8,047.52	8,242.14
10.00°	8,211.48	8,229.74	8,190.18	8,192.08	8,285.72
15.00°	8,183.20	8,044.62	8,058.03	7,885.50	8,001.69
20.00°	7,862.92	7,890.03	7,761.79	7,797.45	7,755.07
25.00°	7,580.44	7,646.98	7,567.87	7,503.97	7,546.46
30.00°	7,153.59	7,244.81	7,181.68	7,112.56	7,159.89
35.00°	6,914.63	6,728.60	6,749.76	6,733.08	6,738.94
40.00°	6,347.12	6,322.89	6,299.27	6,214.02	6,196.22
45.00°	5,751.03	5,715.07	5,682.58	5,675.58	5,742.64
50.00°	5,043.72	5,107.21	5,083.58	5,046.41	5,088.18
55.00°	4,358.11	4,340.58	4,361.02	4,432.50	4,497.33
60.00°	3,632.06	3,645.62	3,681.45	3,740.92	3,811.19
65.00°	2,926.12	2,943.09	2,996.08	3,095.72	3,154.65
70.00°	2,205.09	2,205.06	2,346.41	2,478.27	2,513.16
75.00°	1,432.22	1,541.42	1,770.00	1,878.91	1,899.66
80.00°	888.67	1,019.66	1,248.21	1,344.06	1,378.63
85.00°	543.49	610.83	787.96	900.24	900.21
90.00°	355.80	432.24	571.99	616.73	624.69

Spacing Criterion:

Two luminaires, plane 0°	1.3
Two luminaires, plane 90°	1.27
Four luminaires	1.39

Zonal Lumen Summary

Zone	Lumens	% Fixture
0.00° - 10.00°	833.13	3.36%
10.00° - 20.00°	2,261.29	9.13%
20.00° - 30.00°	3,469.34	14.01%
30.00° - 40.00°	4,214.07	17.02%
40.00° - 50.00°	4,382.67	17.70%
50.00° - 60.00°	3,914.58	15.81%
60.00° - 70.00°	2,981.78	12.04%
70.00° - 80.00°	1,832.26	7.40%
80.00° - 90.00°	877.26	3.54%
90.00° - 100.00°	144.64	0.58%