

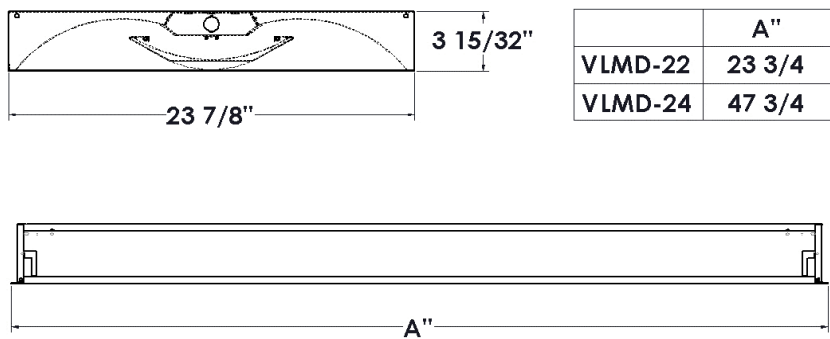
PROJECT:

NOTES:

ORDERING INFORMATION:

EXAMPLE VLMD - 22 - L - 40 - 9 - 40 - MV - EM - CLE4 - DM
 SERIES NOM. LENGTH SOURCE LUMENS CRI KELVINS VOLTAGE OPTIONS CONTROLS DRIVER

SHOP DRAWINGS



ORDERING INFORMATION

SERIES		CRI	
VLMD		BLANK	80 CRI
		9	90 CRI
NOMINAL LENGTH		KELVIN	
22	24" x 24"	30	3000K
24	24" x 48"	35	3500K
M	Metric	40	4000K
		50	5000K
SOURCE		TW Tunable White	
L	LED		

VOLTAGE	
MV	120-277V
347	347V

LUMENS

OPTIONS	
AH	Air Handling
EM	Emergency Power Pack

CONTROLS
 Click on the following link for control options:
<https://bit.ly/2KzMuAx>

DRIVER
 BLANK Non-dimming applications
 DM 0-10V dimming
 DA DALI driver
 Click on the following link for special driver options:
<https://bit.ly/2FqZ6qU>

FEATURES

- > Premium grade, modern, aesthetic direct / indirect troffer
- > Low-glare direct and indirect light distribution for primary and ambient lighting with high visual comfort
- > Basket shaped perforated metal shield with integrated crossblade parabolic baffle
- > Opal acrylic overlay lens
- > Efficacies up to 138 lm/W
- > 100% made in Canada

APPLICATIONS

- > Offices
- > Schools
- > Retail stores
- > Commercial

Lumen Package*	Nom. Lumens	Wattage
24" x 24"		
30	3,000	23
50	5,000	39
24" x 48"		
30	3,000	22
40	4,000	29
50	5,000	36

*Other lumen packages available

LED

FIXTURE PERFORMANCE DATA

SPECIFICATIONS

Housing/Reflector – Precision die-formed 20-gauge C.R.S.

Shielding – Perforated basket with opal acrylic lens overlay and integrated crossblade parabolic baffle

Finish – Baked white enamel powder finish applied post production on all surfaces for smooth edges and safe handling.

Electrical – High quality mid-power LED boards. L70 >50,000 hours

Mounting – T-Bar ceiling lay-in

Listings –

■ cUL certified as luminaire suitable for dry or damp locations.

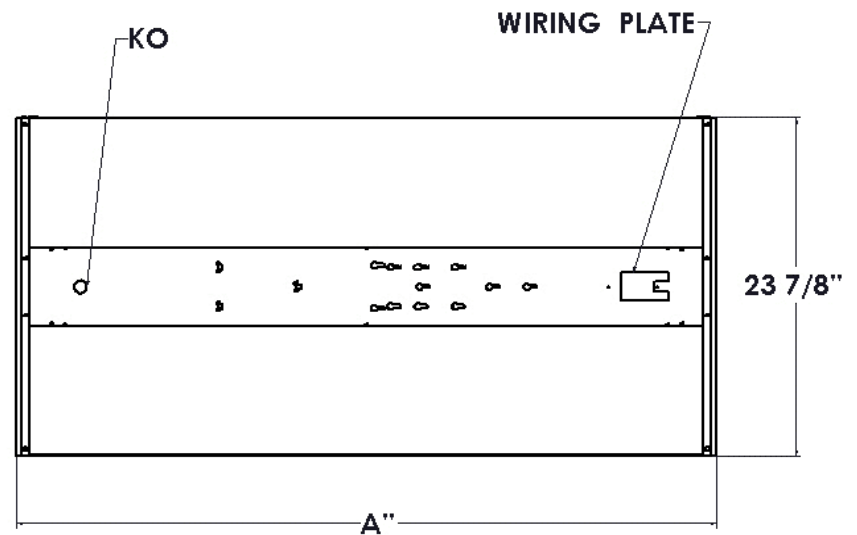
Warranty – 5-year limited warranty

LED PACKAGE	DELIVERED LUMENS	WATTAGE	EFFICACY (lm/W)
24" x 24"			
30	3,153	23	137
50	5,248	39	135
24" x 48"			
30	2,991	22	136
40	3,993	29	138
50	4,990	36	138

*Results based on 4000K, 80 CRI

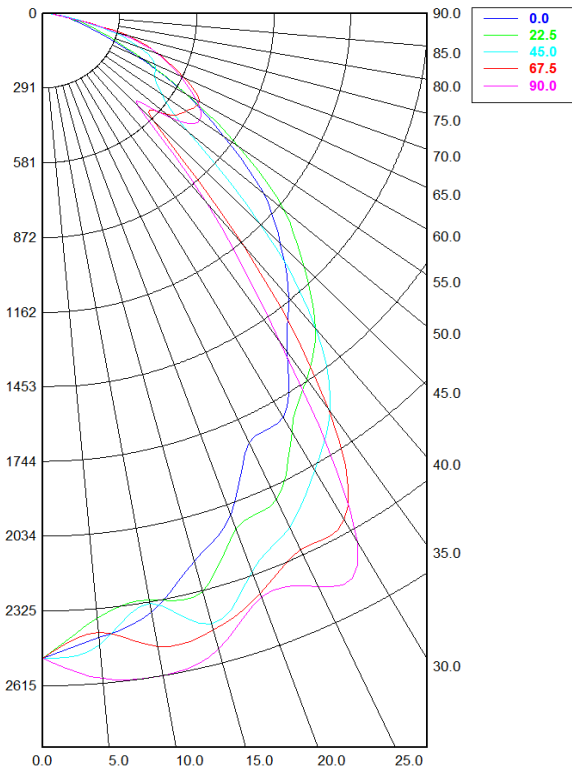
MULTIPLIER TABLE	
COLOR TEMPERATURE	
CCT/CRI	CONVERSION FACTOR
3000K / 80 CRI	0.95
3500K / 80 CRI	0.97
4000K / 80 CRI	1
5000K / 80 CRI	1.03

FIXTURE DETAILS



PHOTOMETRY

VLMD-22-LED-50-40-MVOLT Total Luminaire Output: 4,990 lumens; 36 Watts



Candela Distribution

	0.00°	22.50°	45.00°	67.50°	90.00°
0.00°	2,508.83	2,508.83	2,508.83	2,508.83	2,508.83
5.00°	2,437.49	2,362.18	2,465.59	2,416.48	2,597.44
10.00°	2,364.96	2,316.74	2,330.83	2,500.31	2,615.37
15.00°	2,206.92	2,327.98	2,459.96	2,483.89	2,561.20
20.00°	2,072.27	2,133.75	2,307.93	2,400.35	2,414.48
25.00°	1,844.15	2,085.99	2,204.96	2,302.74	2,460.37
30.00°	1,815.02	1,877.46	2,054.23	2,277.29	2,375.84
35.00°	1,606.71	1,737.21	1,891.64	1,887.37	1,559.93
40.00°	1,440.23	1,603.60	1,605.92	1,167.81	965.96
45.00°	1,266.81	1,397.89	1,166.19	591.21	505.61
50.00°	1,081.12	1,184.35	715.78	611.01	637.53
55.00°	831.68	899.64	549.01	661.91	721.78
60.00°	613.57	622.06	488.29	680.60	666.63
65.00°	391.03	410.02	466.85	585.01	567.83
70.00°	233.94	270.49	390.87	461.84	460.14
75.00°	142.16	174.59	262.12	322.52	301.28
80.00°	85.10	93.66	117.91	98.07	88.00
85.00°	39.10	35.93	37.31	40.14	38.90
90.00°	5.72	5.61	5.39	4.55	6.02

Spacing Criterion:

Two luminaires, plane 0°	1.06
Two luminaires, plane 90°	1.24
Four luminaires	1.24

Zonal Lumen Summary

Zone	Lumens	% Fixture
0.00° - 10.00°	246.26	4.69%
10.00° - 20.00°	670.05	12.77%
20.00° - 30.00°	1,003.91	19.13%
30.00° - 40.00°	1,088.29	20.74%
40.00° - 50.00°	814.29	15.52%
50.00° - 60.00°	645.26	12.29%
60.00° - 70.00°	480.02	9.15%
70.00° - 80.00°	251.24	4.79%
80.00° - 90.00°	49.00	0.93%
90.00° - 100.00°	1.47	0.03%
100.00° - 110.00°	0.00	0.00%
110.00° - 120.00°	0.00	0.00%
120.00° - 130.00°	0.00	0.00%
130.00° - 140.00°	0.00	0.00%
140.00° - 150.00°	0.00	0.00%
150.00° - 160.00°	0.00	0.00%
160.00° - 170.00°	0.00	0.00%
170.00° - 180.00°	0.00	0.00%
0.00° - 90.00°	5,248.33	100.00%
90.00° - 180.00°	1.47	0.03%
0.00° - 180.00°	5,248.33	100.00%