

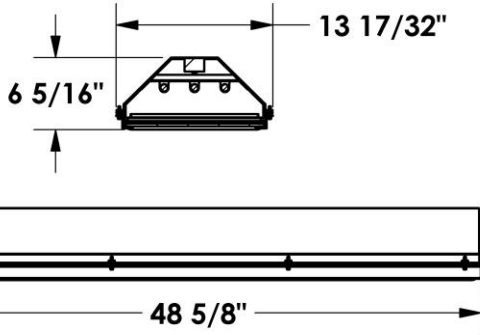
PROJECT:

NOTES:

ORDERING INFORMATION:

**EXAMPLE** PUWU - R - 48 - LED - 60 - 50 - L1 - MV - AC - CN1 - DIM  
 SERIES MOUNTING NOM. LENGTH SOURCE LUMENS KELVINS DIFFUSERS VOLTAGE OPTIONS CONTOLS DRIVER

SHOP DRAWINGS



ORDERING INFORMATION

SERIES	
PUWU	
MOUNTING	
R	Surface
S	Stem & Canopy
W	Suspended

KELVIN	
30	3000K
35	3500K
40	4000K
50	5000K
TW	Tunable White
Diffuser	
00	No diffuser (i.e. only protective glass lens)
H1	White Opal Acrylique - 0.118"
L1	Frosted Acrylique - 0.118"
L3	LC3 Opal LumenXt Polycarbonate - 0.118"
H5	White Opal Flexlume

SOURCE	
LED	

LUMENS

Lumen Package	Nom. Lumens	Wattage
<b>48"</b>		
40	4,000	26
60	6,000	39
80	8,000	52
200	20,000	158
240	24,000	185

Nominal lumen output based on 4000 CCT.  
 May vary +/-5%. See fixture performance data.

\*Other lumen packages available.  
 Specify in increments of 100 nominal lumens.  
 For example, to specify 4,700 nominal lumens:  
 PUWU - [...] - 47 - [...]

VOLTAGE	
MV	120-277V
347	347V

OPTIONS	
CS#	Chain Suspension Kit #ft
AC#	Suspension Aircraft Cable #ft
9C	90 CRI

**CONTROLS**  
 Click on the following link for control options:  
<https://bit.ly/2KzMuAx>

\*\*CLE4 is the best option for motion sensor for that type of luminaire. (only available for 120-277)

**DRIVER**  
**BLANK** Non-dimming applications  
**DIM** Dimming applications  
 Click on the following link for special driver options:  
<https://bit.ly/2FqZ6qU>

FEATURES

- > Heavy duty weatherproof luminaire designed for hazardous and harsh environments
- > This luminaire is CSA certified for Class 1 Division 2
- > 0.25" tempered glass protective lens
- > Sealed with continuous extruded flexible vinyl gasketing to protect fixture from environmental contaminants
- > Rust proof satin coated steel housing
- > Welded seamless door frame secured to housing with 8 pressure screws
- > Minimum 80 CRI; color range 3000K - 5000K available
- > Variety of diffusers available for smooth and uniform illumination
- > Tunable White option available
- > Multiple dimming protocols available
- > Efficacies up to 157 lm/W
- > 100% made in Canada

APPLICATIONS

- > Garage Pits
- > Manufacturing Plants
- > Harsh Environments
- > Commercial
- > Industrial
- > Food Processing

FIXTURE PERFORMANCE DATA

SPECIFICATIONS

**Housing/Reflector** – Rust proof precision die-formed 18-gauge satin coated C.R.S. housing with continuous welded and ground seams

**Door** – Welded seamless frame secured to housing with 8 pressure screws

**Gasketing** -- Insulation bonded closed cell neoprene gasket protects fixture from environmental contaminants

**Shielding** – 0.25" thick tempered glass

**Finish** – Baked white enamel powder finish applied post production on all surfaces for smooth edges and safe handling..

**Electrical** – High quality mid-power LED boards. L70 >50,000 hours.

**Mounting** – Suspended or surface

**Listings** –  
 ■ CSA certified as Class 1 Division 2 luminaire

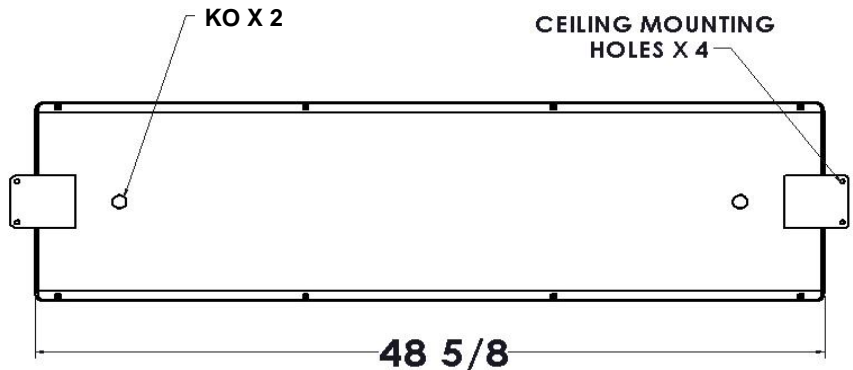
**Warranty** – 5-year limited warranty

LED PACKAGE	DELIVERED LUMENS	WATTAGE	EFFICACY (lm/W)
48"			
40	4,075	26	157
60	6,112	39	157
80	8,149	52	157
200	20,078	158	127
240	24,879	185	134

\*Results based on 4000K, 80 CRI, no diffuser

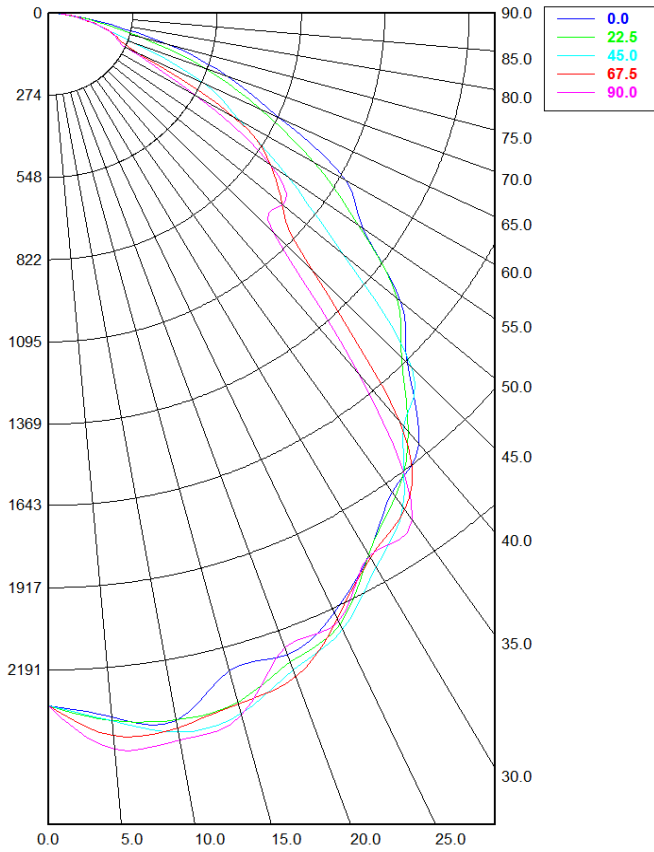
MULTIPLIER TABLE	
COLOR TEMPERATURE	
CCT/CRI	CONVERSION FACTOR
3000K / 80 CRI	0.95
3500K / 80 CRI	0.97
4000K / 80 CRI	1
5000K / 80 CRI	1.03

FIXTURE DETAILS



PHOTOMETRY

PUWU-48-LED-60-40-00-MVOLT Total Luminaire Output: 6,112 lumens; 39 Watts



Candela Distribution

	0.00°	22.50°	45.00°	67.50°	90.00°
0.00°	2,309.72	2,309.72	2,309.72	2,309.72	2,309.72
5.00°	2,356.43	2,369.36	2,369.13	2,418.69	2,464.86
10.00°	2,394.72	2,393.23	2,434.65	2,419.72	2,460.72
15.00°	2,271.22	2,379.72	2,418.73	2,384.05	2,424.52
20.00°	2,276.29	2,301.88	2,329.29	2,355.01	2,250.55
25.00°	2,203.04	2,248.46	2,268.10	2,226.15	2,238.68
30.00°	2,087.67	2,086.51	2,134.72	2,097.45	2,090.05
35.00°	1,951.87	1,970.63	2,012.48	2,022.30	2,066.04
40.00°	1,877.76	1,823.28	1,800.62	1,779.65	1,580.77
45.00°	1,651.67	1,626.94	1,674.00	1,205.02	1,032.88
50.00°	1,498.92	1,482.74	1,254.25	990.93	993.31
55.00°	1,250.92	1,234.17	949.38	880.59	882.59
60.00°	1,118.76	997.48	716.19	700.00	564.74
65.00°	834.64	759.38	562.24	340.42	289.20
70.00°	621.19	542.29	304.95	237.88	232.13
75.00°	395.28	312.18	173.69	177.84	175.40
80.00°	165.21	137.24	104.39	103.80	100.94
85.00°	38.38	46.86	49.57	51.36	53.41
90.00°	7.95	10.98	8.08	7.85	8.30

Spacing Criterion:

Two luminaires, plane 0°	1.32
Two luminaires, plane 90°	1.37
Four luminaires	1.41

Zonal Lumen Summary

Zone	Lumens	% Fixture
0.00° - 10.00°	243.20	3.98%
10.00° - 20.00°	669.89	10.96%
20.00° - 30.00°	1,023.90	16.75%
30.00° - 40.00°	1,232.10	20.16%
40.00° - 50.00°	1,141.90	18.68%
50.00° - 60.00°	917.94	15.02%
60.00° - 70.00°	566.71	9.27%
70.00° - 80.00°	255.25	4.18%
80.00° - 90.00°	61.13	1.00%
90.00° - 100.00°	2.40	0.04%
100.00° - 110.00°	0.00	0.00%
110.00° - 120.00°	0.00	0.00%
120.00° - 130.00°	0.00	0.00%
130.00° - 140.00°	0.00	0.00%
140.00° - 150.00°	0.00	0.00%
150.00° - 160.00°	0.00	0.00%
160.00° - 170.00°	0.00	0.00%
170.00° - 180.00°	0.00	0.00%
0.00° - 90.00°	6,112.01	100.00%
90.00° - 180.00°	2.40	0.04%
0.00° - 180.00°	6,112.01	100.00%

