

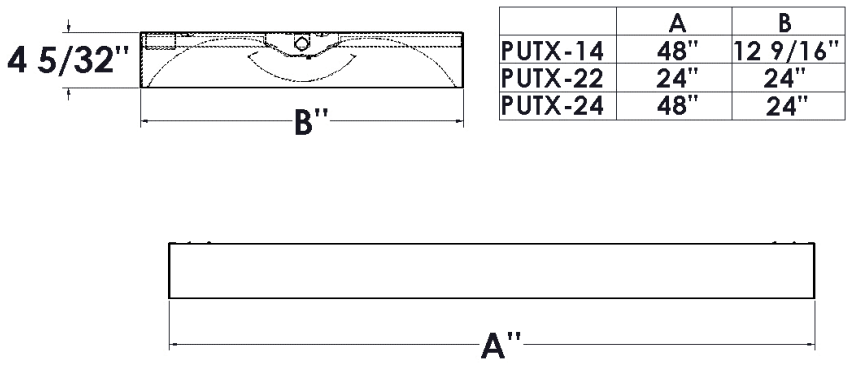
PROJECT:

NOTES:

ORDERING INFORMATION:

EXAMPLE PUTX - 22 - LED - 40 - 40 -MVOLT- OCC - DIM
 SERIES NOM. LENGTH SOURCE LUMENS KELVINS VOLTAGE OPTIONS DRIVER

SHOP DRAWINGS



ORDERING INFORMATION

SERIES	PUTX
NOMINAL LENGTH	14 12"x 48" 22 24"x 24" 24 24"x 48"

KELVIN	30 3000K 35 3500K 40 4000K 50 5000K TW Tunable White
VOLTAGE	MVOLT 120-277V 347 347V

SOURCE
LED

OPTIONS
OCC Occupancy Sensor

LUMENS

DRIVER
BLANK Non-dimming applications
DIM Dimming applications

Lumen Package*	Nom. Lumens	Wattage
12" x 48"		
30	3,000	27
40	4,000	37
50	5,000	46
24" x 24"		
30	3,000	31
40	4,000	42
50	5,000	54
24" x 48"		
30	3,000	27
40	4,000	37
50	5,000	46

Nominal lumen output based on 4000 CCT. May vary +/-5%. See fixture performance data.
 *Other lumen packages available. Specify in increments of 100 nominal lumens.
 For example, to specify 4,700 nominal lumens:
 PUTX - [...] - 47 - [...]

FEATURES

- > Premium-grade, aesthetic LED direct/indirect luminaire
- > Features center perforated sheet metal basket
- > Provides low-glare direct and indirect light distribution for primary and ambient lighting
- > Ideal for applications requiring low glare and high visual comfort
- > Highly reflective white paint for superior efficiency
- > Minimum 80 CRI; color range 3000K - 5000K available
- > Tunable White option available
- > Multiple dimming protocols available
- > Energy-saving occupancy sensor option available
- > Efficacies up to 154 lm/W
- > 100% made in Canada

APPLICATIONS

- > Offices
- > Schools
- > Retail Stores
- > Hospitals
- > Corridors

FIXTURE PERFORMANCE DATA

SPECIFICATIONS

Housing– Precision die-formed 20-gauge C.R.S.

Reflector – Precision formed and contoured to provide soft, low-glare, indirect illumination

Shielding – Central perforated basket

Finish – Baked white enamel powder finish applied post production on all surfaces for smooth edges and safe handling

Electrical – High quality mid-power LED boards. L70 >50,000 hours

Mounting – Surface or Suspended

- Listings** –
- CSA certified as luminaire suitable for dry or damp locations.
 - cUL certified as luminaire suitable for dry or damp locations.

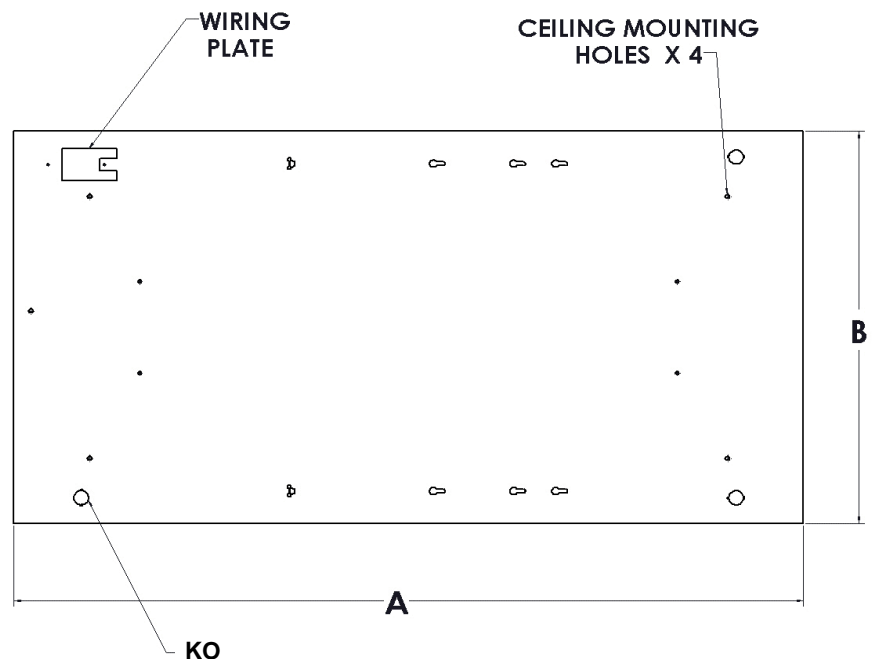
Warranty – 5-year limited warranty

LED PACKAGE	DELIVERED LUMENS	WATTAGE	EFFICACY (lm/W)
12" x 24"			
30	2,953	27	109
40	3,933	37	106
50	4,226	46	92
24" x 24"			
30	3,028	31	98
40	4,038	42	96
50	5,048	54	93
24" x 48"			
30	3,021	27	112
40	4,026	37	109
50	5,042	46	110

*Results based on 4000K, 80 CRI, perforated basket

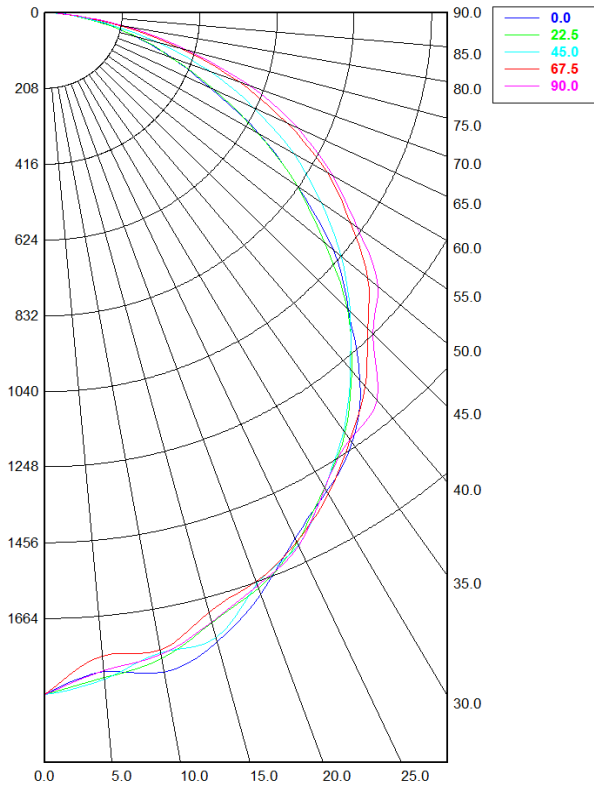
MULTIPLIER TABLE	
COLOR TEMPERATURE	
CCT/CRI	CONVERSION FACTOR
3000K / 80 CRI	0.95
3500K / 80 CRI	0.97
4000K / 80 CRI	1
5000K / 80 CRI	1.03

FIXTURE DETAILS



PHOTOMETRY

PUTX-24-LED-50-40-MVOLT Total Luminaire Output: 5,042 lumens; 110 Watts



Candela Distribution

	0.00°	22.50°	45.00°	67.50°	90.00°
0.00°	1,872.34	1,872.34	1,872.34	1,872.34	1,872.34
5.00°	1,817.56	1,832.94	1,837.23	1,773.77	1,813.96
10.00°	1,838.97	1,802.45	1,786.17	1,778.17	1,790.78
15.00°	1,789.08	1,734.74	1,776.95	1,704.23	1,732.32
20.00°	1,697.69	1,681.43	1,668.10	1,661.63	1,674.24
25.00°	1,591.34	1,604.37	1,613.34	1,602.82	1,615.62
30.00°	1,518.72	1,505.78	1,506.32	1,527.63	1,508.49
35.00°	1,442.33	1,408.84	1,402.14	1,432.72	1,431.90
40.00°	1,319.71	1,284.06	1,278.80	1,340.63	1,389.23
45.00°	1,156.63	1,150.99	1,160.45	1,227.87	1,249.08
50.00°	1,014.18	985.50	1,042.02	1,134.54	1,169.96
55.00°	827.88	825.82	907.98	1,003.24	1,026.98
60.00°	664.32	658.09	770.54	878.24	895.44
65.00°	489.10	502.57	618.78	716.20	748.54
70.00°	363.41	361.54	469.83	550.76	584.01
75.00°	248.12	250.72	304.69	373.23	388.66
80.00°	149.01	131.20	159.69	204.55	220.26
85.00°	62.54	46.57	47.45	57.07	58.31
90.00°	8.08	6.72	6.99	6.90	7.16

Spacing Criterion:

Two luminaires, plane 0°	1.21
Two luminaires, plane 90°	1.2
Four luminaires	1.32

Zonal Lumen Summary

Zone	Lumens	% Fixture
0.00° - 10.00°	183.35	3.64%
10.00° - 20.00°	489.83	9.71%
20.00° - 30.00°	736.36	14.60%
30.00° - 40.00°	885.46	17.56%
40.00° - 50.00°	914.36	18.13%
50.00° - 60.00°	817.79	16.22%
60.00° - 70.00°	607.72	12.05%
70.00° - 80.00°	330.44	6.55%
80.00° - 90.00°	76.70	1.52%
90.00° - 100.00°	1.93	0.04%
100.00° - 110.00°	0.00	0.00%
110.00° - 120.00°	0.00	0.00%
120.00° - 130.00°	0.00	0.00%
130.00° - 140.00°	0.00	0.00%
140.00° - 150.00°	0.00	0.00%
150.00° - 160.00°	0.00	0.00%
160.00° - 170.00°	0.00	0.00%
170.00° - 180.00°	0.00	0.00%
0.00° - 90.00°	5,042.01	100.00%
90.00° - 180.00°	1.93	0.04%
0.00° - 180.00°	5,042.01	100.00%