

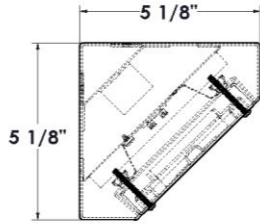
PROJECT:

NOTES:

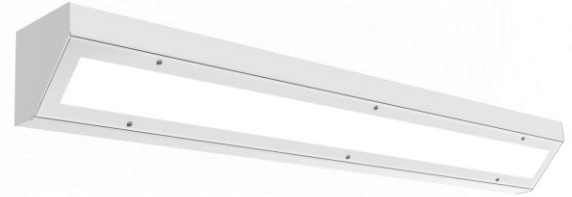
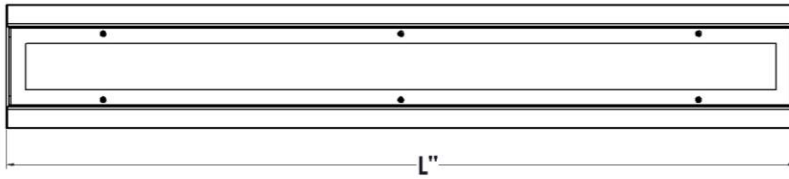
ORDERING INFORMATION:

EXAMPLE PUJA - H - 45 - L - 40 - 9 - 40 - H5 - M4 - MV - EM - DM
 SERIES SECURITY LEVEL NOM. LENGTH SOURCE LUMENS CRI KELVINS DIFFUSERS LENS VOLTAGE OPTIONS DRIVER

SHOP DRAWINGS



	L
PUJA 23"	23"
PUJA 34"	34"
PUJA 45"	45"



ORDERING INFORMATION

SERIES
 PUJA

KELVIN
 30 3000K
 35 3500K
 40 4000K
 50 5000K
 TW Tunable White

SECURITY LEVEL
 H Heavy (14 gauge)
 M Medium (16 gauge)
 L Light (18 gauge)

DIFFUSERS
 A0 Acrylic K12
 H5 White Opal
 L1 Frosted

NOMINAL LENGTH
 23 23"
 34 34"
 45 45"

SECURITY LENS
 M1 Clear Polycarbonate (0.125")
 M3 Clear Polycarbonate (0.187")
 M4 Clear Polycarbonate (0.250")
 M5 Clear Polycarbonate (0.375")

SOURCE
 L LED

LUMENS

VOLTAGE
 MV 120-277V
 347 347V

Lumen Package*	Nom. Lumens	Wattage
23"		
20	2,000	16
30	3,000	25
34"		
20	2,000	19
40	4,000	45
45"		
40	4,000	31
50	5,000	39

*Other lumen packages available.

OPTIONS
 EM Emergency Power Pack
 NL Amber LED Night Light
 NLR Red LED Night Light
 SK Speaker Box Housing Extension*
 *Dimensions determined by specifier

CRI
 BLANK 80 CRI
 9 90 CRI

DRIVER
 BLANK Non-dimming applications
 DM 0-10V dimming
 DA DALI driver
 Click on the following link for special driver options:
<https://bit.ly/2FaZ6qU>

FEATURES

- > Specification-grade LED corner mount luminaire for anti-vandal and security applications
- > Security lens (multiple thicknesses available)
- > Double frame secured internally with multiple screws
- > Welded housing for additional strength
- > Minimum 80 CRI; color range 3000K - 5000K available
- > Multiple dimming protocols available
- > Efficacies up to 130 lm/W
- > 100% made in Canada

APPLICATIONS

- > Prison cells
- > Correctional facilities
- > Corridors
- > Locker rooms
- > Public areas
- > Schools
- > Stairwells

LED

FIXTURE PERFORMANCE DATA

SPECIFICATIONS

Housing – Precision die-formed 12,14,16,18-gauge C.R.S. with continuously welded end caps of matching gauge

Door Frame – Single piece precision die formed frame with seam welded corners and tamper-resistant fasteners secure door frame to housing

Internal Frame –

For maximum security applications:

One piece internal frame fastened to door with 12 screws for maximum security applications.

For minimum security applications:

Zintec angle frame riveted to door

Security Lens – Variety of robust polycarbonate lenses available (outer lens).

Diffuser – Variety of diffusers available for smooth and uniform illumination (inner lens).

Finish – Baked white enamel powder finish applied post production on all surfaces for smooth edges and safe handling

Electrical – High quality mid-power LED boards. L85 >50,000 hours.

Mounting – Corner mount

Listings –

- CSA certified as luminaire suitable for dry or damp locations.
- cUL certified as luminaire suitable for dry or damp locations.

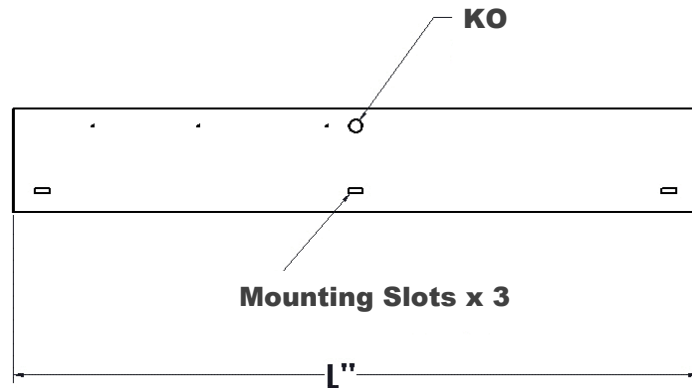
Warranty – 5-year limited warranty

LED PACKAGE	DELIVERED LUMENS	WATTAGE	EFFICACY (lm/W)
23"			
20	2,045	16	127
30	3,071	25	122
34"			
20	2,073	19	109
40	4,209	45	93
45"			
40	4,046	31	130
50	5,056	39	129

Results based on 4000K, 80 CRI, security lens (M1), diffuser (H5)

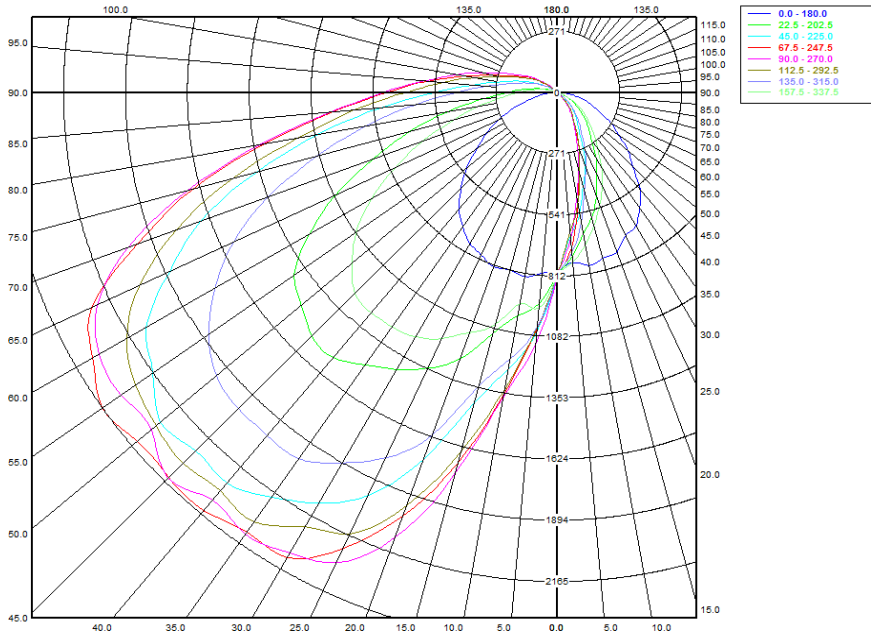
MULTIPLIER TABLE	
COLOR TEMPERATURE	
CCT/CRI	CONVERSION FACTOR
3000K / 80 CRI	0.95
3500K / 80 CRI	0.97
4000K / 80 CRI	1
5000K / 80 CRI	1.03

FIXTURE DETAILS



PHOTOMETRY

PUJA-45-L-50-40-A0-M4-MV, Total Luminaire Output: 5,056 lumens; 39 watts



Zonal Lumen Summary

Zone	Lumens	% Fixture
0.00° - 10.00°	87.03	1.72%
10.00° - 20.00°	266.04	5.26%
20.00° - 30.00°	473.12	9.36%
30.00° - 40.00°	645.42	12.76%
40.00° - 50.00°	760.90	15.05%
50.00° - 60.00°	810.59	16.03%
60.00° - 70.00°	758.37	15.00%
70.00° - 80.00°	572.47	11.32%
80.00° - 90.00°	344.41	6.81%
90.00° - 100.00°	184.28	3.64%
100.00° - 110.00°	92.88	1.84%
110.00° - 120.00°	43.41	0.86%
120.00° - 130.00°	14.63	0.29%
130.00° - 140.00°	1.77	0.03%
140.00° - 150.00°	0.55	0.01%
150.00° - 160.00°	0.46	0.01%
160.00° - 170.00°	0.32	0.01%
170.00° - 180.00°	0.14	0.00%
0.00° - 90.00°	4,718.35	93.31%
90.00° - 180.00°	338.42	6.69%
0.00° - 180.00°	5,056.77	100.00%

Candela Distribution

	0.00°	22.50°	45.00°	67.50°	90.00°	112.50°	135.00°	157.50°	180.00°	202.50°	225.00°	247.50°	270.00°	292.50°	315.00°	337.50°	360.00°
0.00°	795.21	795.21	795.21	795.21	795.21	795.21	795.21	795.21	795.21	795.21	795.21	795.21	795.21	795.21	795.21	795.21	795.21
5.00°	754.35	727.18	637.98	690.78	646.42	623.12	708.66	751.37	802.11	938.20	1,068.44	1,059.57	1,126.30	1,050.11	1,047.63	956.99	754.35
10.00°	775.62	636.22	548.16	502.03	479.14	507.13	588.43	686.75	826.14	1,004.12	1,245.46	1,359.20	1,374.10	1,336.04	1,203.44	948.64	775.62
15.00°	759.95	574.09	429.79	351.51	354.14	368.61	452.16	610.82	812.19	1,111.77	1,433.90	1,706.42	1,756.95	1,654.02	1,354.51	1,068.66	759.95
20.00°	751.41	491.45	354.27	275.23	248.80	275.41	360.29	534.65	821.00	1,260.08	1,730.79	1,996.85	2,098.70	1,947.13	1,614.49	1,133.06	751.41
25.00°	700.00	399.36	249.11	186.00	175.65	200.80	284.15	459.35	792.05	1,349.03	1,968.94	2,228.04	2,297.90	2,156.58	1,786.05	1,205.27	700.00
30.00°	682.50	338.19	182.46	133.14	128.29	136.12	208.18	388.85	768.77	1,418.54	2,100.88	2,376.07	2,352.77	2,219.96	1,894.95	1,251.37	682.50
35.00°	623.54	261.56	144.76	104.61	90.15	106.51	165.62	307.19	721.95	1,472.59	2,187.71	2,377.00	2,389.68	2,323.02	1,981.04	1,270.04	623.54
40.00°	562.19	212.54	108.74	63.81	45.01	66.55	122.53	252.58	670.52	1,534.41	2,257.18	2,415.37	2,354.99	2,303.01	1,983.55	1,272.54	562.19
45.00°	464.46	175.21	73.64	22.38	4.64	21.11	88.36	196.08	595.97	1,527.22	2,244.26	2,410.50	2,415.51	2,323.36	1,981.82	1,257.80	464.46
50.00°	404.04	133.72	36.65	1.08	0.24	0.96	41.18	162.85	519.07	1,467.53	2,273.24	2,403.52	2,325.07	2,298.03	1,953.36	1,179.32	404.04
55.00°	323.10	101.71	9.47	0.79	0.82	0.77	13.52	121.23	430.67	1,410.83	2,165.62	2,435.35	2,336.87	2,259.57	1,867.04	1,081.53	323.10
60.00°	270.17	61.85	1.02	0.95	0.76	0.73	1.10	78.68	360.41	1,260.04	2,081.45	2,352.12	2,320.74	2,180.14	1,737.07	948.22	270.17
65.00°	195.15	32.51	0.61	0.72	1.00	0.99	0.78	42.07	281.87	1,080.75	1,877.71	2,253.99	2,224.74	2,024.97	1,569.38	790.75	195.15
70.00°	152.41	12.89	0.87	0.69	0.91	0.50	0.72	15.97	205.01	867.54	1,667.10	1,958.93	2,003.80	1,779.88	1,352.67	633.14	152.41
75.00°	104.63	3.06	0.60	0.96	0.94	0.92	0.78	4.15	138.68	675.81	1,371.50	1,661.26	1,683.08	1,485.00	1,096.19	471.87	104.63
80.00°	66.27	0.88	0.84	0.77	0.76	1.04	0.72	0.86	83.56	485.79	1,069.60	1,306.77	1,326.45	1,152.71	856.75	352.02	66.27
85.00°	36.93	0.80	0.43	0.49	1.01	0.63	0.77	0.78	48.47	325.82	780.73	992.34	1,000.58	898.40	629.44	242.88	36.93
90.00°	16.46	0.86	0.93	0.86	0.85	0.86	0.97	1.48	20.46	224.17	542.18	755.89	767.74	668.89	446.71	169.82	16.46
95.00°	4.96	2.37	1.21	0.97	1.59	1.32	1.20	2.06	6.01	151.41	375.02	571.41	584.66	507.91	311.62	120.23	4.96
100.00°	0.99	0.97	1.89	1.91	1.76	1.52	1.42	1.39	1.80	97.40	263.45	411.41	449.11	370.46	218.12	76.71	0.99
105.00°	0.60	1.14	0.78	2.18	1.84	2.07	1.27	1.61	1.20	56.54	194.13	293.47	337.72	268.22	161.10	42.18	0.60
110.00°	1.22	1.08	0.81	1.06	1.91	1.56	1.05	1.12	2.08	24.71	138.48	212.34	247.13	201.78	117.93	15.98	1.22
115.00°	1.23	1.01	1.13	1.44	1.47	1.46	1.03	0.85	1.20	5.03	87.67	164.50	179.30	147.75	78.72	2.99	1.23
120.00°	1.10	0.62	0.87	0.99	1.04	0.77	0.98	0.85	1.06	0.79	45.35	118.44	134.97	110.54	38.26	0.36	1.10
125.00°	1.31	0.74	0.54	0.88	0.91	1.31	0.74	0.62	1.15	0.92	10.63	62.42	85.42	58.56	9.01	0.66	1.31
130.00°	0.80	1.07	0.76	1.26	1.02	0.91	1.16	0.94	0.96	0.51	1.18	21.52	40.83	19.52	0.84	0.51	0.80
135.00°	1.01	0.86	1.06	0.94	0.98	1.12	0.96	1.25	1.26	0.58	0.52	0.75	2.75	0.64	0.84	0.67	1.01
140.00°	0.77	1.00	0.72	0.73	0.84	0.96	0.93	0.91	1.34	1.34	0.58	0.47	0.64	0.63	0.51	0.76	0.77
145.00°	0.79	0.92	1.68	1.11	0.47	0.84	0.63	1.04	1.53	0.55	0.70	1.13	0.71	1.19	0.40	1.01	0.79
150.00°	1.19	0.83	0.75	1.24	1.09	0.85	1.02	1.13	0.77	0.64	0.52	0.76	0.92	0.71	0.70	0.55	1.19
155.00°	1.49	1.35	0.80	1.26	0.73	0.59	1.04	1.76	1.49	1.74	0.61	0.73	0.56	0.60	0.84	0.45	1.49
160.00°	1.16	2.93	1.06	1.01	0.91	1.33	1.53	1.42	0.81	1.03	0.82	1.03	1.05	0.70	1.34	0.50	1.16
165.00°	0.66	1.56	0.65	0.87	1.43	0.97	2.00	0.83	0.38	0.72	1.27	1.79	0.22	0.94	0.63	0.86	0.66
170.00°	0.88	1.64	2.08	3.09	0.90	2.18	2.26	1.42	2.41	1.21	0.72	0.58	1.21	0.97	0.42	0.51	0.88
175.00°	1.17	1.07	1.84	1.65	2.63	1.28	0.00	1.56	0.69	0.41	1.61	0.38	1.27	1.53	0.65	1.18	1.17
180.00°	2.31	2.31	2.31	2.31	2.31	2.31	2.31	2.31	2.31	2.31	2.31	2.31	2.31	2.31	2.31	2.31	2.31

Spacing Criterion:

Two luminaires, plane 0°	1.25
Two luminaires, plane 90°	0.43
Four luminaires	1.98