

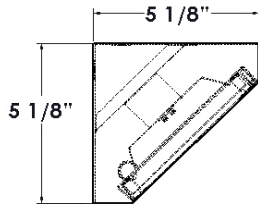
PROJECT:

NOTES:

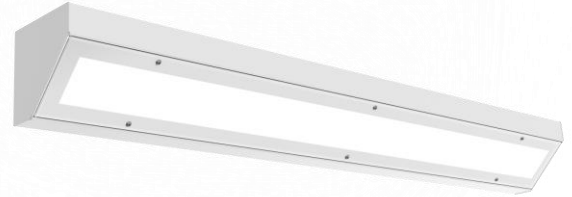
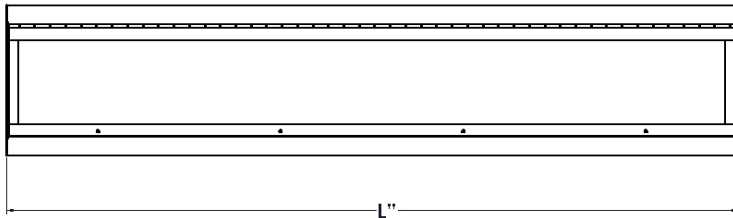
ORDERING INFORMATION:

**EXAMPLE** PUJA - H - 45 - L - 40 - 9 - 40 - H5 - M4 - MV - EM - DM  
 SERIES SECURITY LEVEL NOM. LENGTH SOURCE LUMENS CRI KELVINS DIFFUSERS LENS VOLTAGE OPTIONS DRIVER

SHOP DRAWINGS



	L
PUJA 23"	23"
PUJA 34"	34"
PUJA 45"	45"



ORDERING INFORMATION

**SERIES**

PUJA
------

**KELVIN**

30	3000K
35	3500K
40	4000K
50	5000K
TW	Tunable White

**SECURITY LEVEL**

H	Heavy (14 gauge)
M	Medium (16 gauge)
L	Light (18 gauge)

**DIFFUSERS**

A0	Acrylic K12
H5	White Opal
L1	Frosted

**NOMINAL LENGTH**

23	23"
34	34"
45	45"

**SECURITY LENS**

M1	Clear Polycarbonate (0.125")
M3	Clear Polycarbonate (0.187")
M4	Clear Polycarbonate (0.250")
M5	Clear Polycarbonate (0.375")

**SOURCE**

L	LED
---	-----

**VOLTAGE**

MV	120-277V
347	347V

**LUMENS**

Lumen Package*	Nom. Lumens	Wattage
<b>23"</b>		
20	2,000	16
30	3,000	25
<b>34"</b>		
20	2,000	19
40	4,000	45
<b>45"</b>		
40	4,000	31
50	5,000	39

**OPTIONS**

EM	Emergency Power Pack
NL	Amber LED Night Light
NLR	Red LED Night Light
SK	Speaker Box Housing Extension*

\*Dimensions determined by specifier

\*Other lumen packages available.

**CRI**

BLANK	80 CRI
9	90 CRI

**DRIVER**

BLANK	Non-dimming applications
DM	0-10V dimming
DA	DALI driver

Click on the following link for special driver options:  
<https://bit.ly/2FaZ6qU>

FEATURES

- > Specification-grade LED corner mount luminaire for anti-vandal and security applications
- > Robust design with concealed hinges, tamper-resistant fasteners and contraband trapping backplate
- > Security lens (multiple thicknesses available)
- > Double frame secured internally with multiple screws
- > Welded housing for additional strength
- > Minimum 80 CRI; color range 3000K - 5000K available
- > Multiple dimming protocols available
- > Energy-saving occupancy sensor option available
- > Efficacies up to 130 lm/W
- > 100% made in Canada

APPLICATIONS

- > Prison cells
- > Correctional facilities
- > Corridors
- > Locker rooms
- > Public areas
- > Schools
- > Stairwells



LED

FIXTURE PERFORMANCE DATA

**SPECIFICATIONS**

**Housing** – Precision die-formed 12,14,16,18-gauge C.R.S. with continuously welded end caps of matching gauge

**Door Frame** – Single piece precision die formed frame with seam welded corners and tamper-resistant fasteners secure door frame to housing

**Internal Frame** –

*For maximum security applications:*

One piece internal frame fastened to door with 12 screws for maximum security applications.

*For minimum security applications:*

Zintec angle frame riveted to door

**Security Lens** – Variety of robust polycarbonate lenses available (outer lens).

**Diffuser** – Variety of diffusers available for smooth and uniform illumination (inner lens).

**Finish** – Baked white enamel powder finish applied post production on all surfaces for smooth edges and safe handling

**Electrical** – High quality mid-power LED boards. L85 >50,000 hours.

**Mounting** – Corner mount

**Listings** –

- CSA certified as luminaire suitable for dry or damp locations.
- cUL certified as luminaire suitable for dry or damp locations.

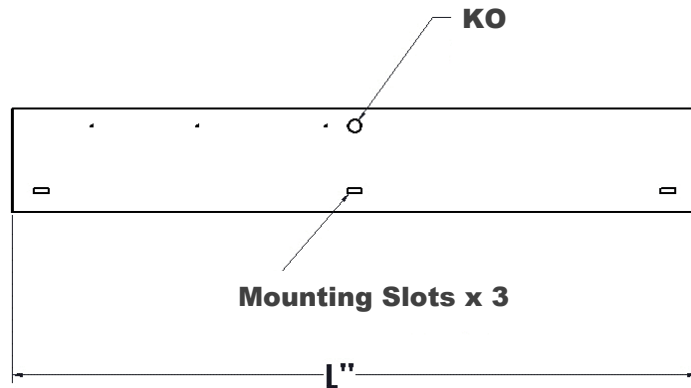
**Warranty** – 5-year limited warranty

LED PACKAGE	DELIVERED LUMENS	WATTAGE	EFFICACY (lm/W)
23"			
20	2,045	16	127
30	3,071	25	122
34"			
20	2,073	19	109
40	4,209	45	93
45"			
40	4,046	31	130
50	5,056	39	129

Results based on 4000K, 80 CRI, security lens (M1), diffuser (H5)

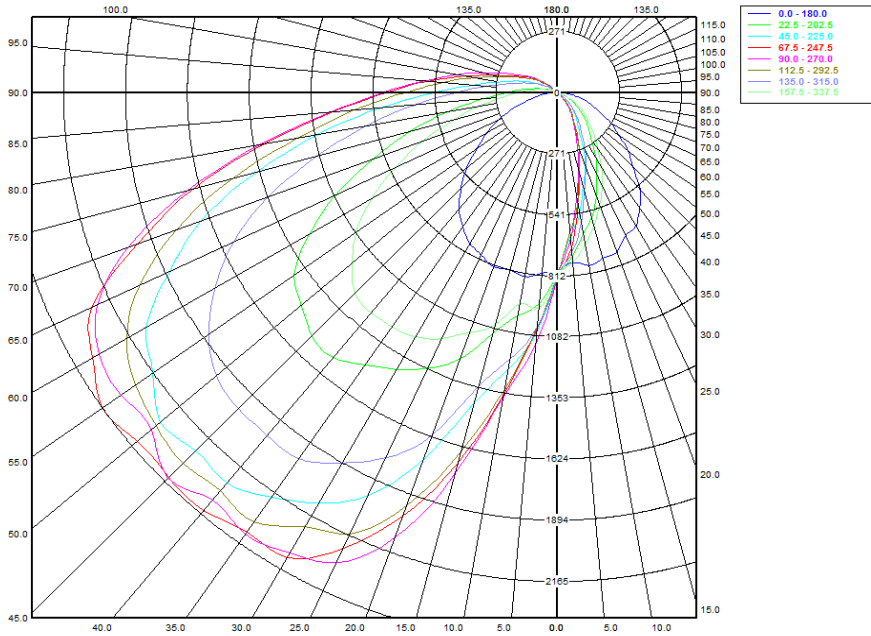
MULTIPLIER TABLE	
COLOR TEMPERATURE	
CCT/CRI	CONVERSION FACTOR
3000K / 80 CRI	0.95
3500K / 80 CRI	0.97
4000K / 80 CRI	1
5000K / 80 CRI	1.03

FIXTURE DETAILS



PHOTOMETRY

PUJA-45-L-50-40-A0-M4-MV, Total Luminaire Output: 5,056 lumens; 39 watts



Zonal Lumen Summary

Zone	Lumens	% Fixture
0.00° - 10.00°	87.03	1.72%
10.00° - 20.00°	266.04	5.26%
20.00° - 30.00°	473.12	9.36%
30.00° - 40.00°	645.42	12.76%
40.00° - 50.00°	760.90	15.05%
50.00° - 60.00°	810.59	16.03%
60.00° - 70.00°	758.37	15.00%
70.00° - 80.00°	572.47	11.32%
80.00° - 90.00°	344.41	6.81%
90.00° - 100.00°	184.28	3.64%
100.00° - 110.00°	92.88	1.84%
110.00° - 120.00°	43.41	0.86%
120.00° - 130.00°	14.63	0.29%
130.00° - 140.00°	1.77	0.03%
140.00° - 150.00°	0.55	0.01%
150.00° - 160.00°	0.46	0.01%
160.00° - 170.00°	0.32	0.01%
170.00° - 180.00°	0.14	0.00%
0.00° - 90.00°	4,718.35	93.31%
90.00° - 180.00°	338.42	6.69%
0.00° - 180.00°	5,056.77	100.00%

Candela Distribution

	0.00°	22.50°	45.00°	67.50°	90.00°	112.50°	135.00°	157.50°	180.00°	202.50°	225.00°	247.50°	270.00°	292.50°	315.00°	337.50°	360.00°
0.00°	795.21	795.21	795.21	795.21	795.21	795.21	795.21	795.21	795.21	795.21	795.21	795.21	795.21	795.21	795.21	795.21	795.21
5.00°	754.35	727.18	637.98	690.78	646.42	623.12	708.66	751.37	802.11	938.20	1,068.44	1,059.57	1,126.30	1,050.11	1,047.63	956.99	754.35
10.00°	775.62	636.22	548.16	502.03	479.14	507.13	588.43	686.75	826.14	1,004.12	1,245.46	1,359.20	1,374.10	1,336.04	1,203.44	948.64	775.62
15.00°	759.95	574.09	429.79	351.51	354.14	368.61	452.16	610.82	812.19	1,111.77	1,433.90	1,706.42	1,756.95	1,654.02	1,354.51	1,068.66	759.95
20.00°	751.41	491.45	354.27	275.23	248.80	275.41	360.29	534.65	821.00	1,260.08	1,730.79	1,996.85	2,098.70	1,947.13	1,614.49	1,133.06	751.41
25.00°	700.00	399.36	249.11	186.00	175.65	200.80	284.15	459.35	792.05	1,349.03	1,968.94	2,228.04	2,297.90	2,156.58	1,786.05	1,205.27	700.00
30.00°	682.50	338.19	182.46	133.14	128.29	136.12	208.18	388.85	768.77	1,418.54	2,100.88	2,376.07	2,352.77	2,219.96	1,894.95	1,251.37	682.50
35.00°	623.54	261.56	144.76	104.61	90.15	106.51	165.62	307.19	721.95	1,472.59	2,187.71	2,377.00	2,389.68	2,323.02	1,981.04	1,270.04	623.54
40.00°	562.19	212.54	108.74	63.81	45.01	66.55	122.53	252.58	670.52	1,534.41	2,257.18	2,415.37	2,354.99	2,303.01	1,983.55	1,272.54	562.19
45.00°	464.46	175.21	73.64	22.38	4.64	21.11	88.36	196.08	595.97	1,527.22	2,244.26	2,410.50	2,415.51	2,323.36	1,981.82	1,257.80	464.46
50.00°	404.04	133.72	36.65	1.08	0.24	0.96	41.18	162.85	519.07	1,467.53	2,273.24	2,403.52	2,325.07	2,298.03	1,953.36	1,179.32	404.04
55.00°	323.10	101.71	9.47	0.79	0.82	0.77	13.52	121.23	430.67	1,410.83	2,165.62	2,435.35	2,336.87	2,259.57	1,867.04	1,081.53	323.10
60.00°	270.17	61.85	1.02	0.95	0.76	0.73	1.10	78.68	360.41	1,260.04	2,081.45	2,352.12	2,320.74	2,180.14	1,737.07	948.22	270.17
65.00°	195.15	32.51	0.61	0.72	1.00	0.99	0.78	42.07	281.87	1,080.75	1,877.71	2,253.99	2,224.74	2,024.97	1,569.38	790.75	195.15
70.00°	152.41	12.89	0.87	0.69	0.91	0.50	0.72	15.97	205.01	867.54	1,667.10	1,958.93	2,003.80	1,779.88	1,352.67	633.14	152.41
75.00°	104.63	3.06	0.60	0.96	0.94	0.92	0.78	4.15	138.68	675.81	1,371.50	1,661.26	1,683.08	1,485.00	1,096.19	471.87	104.63
80.00°	66.27	0.88	0.84	0.77	0.76	1.04	0.72	0.86	83.56	485.79	1,069.60	1,306.77	1,326.45	1,152.71	856.75	352.02	66.27
85.00°	36.93	0.80	0.43	0.49	1.01	0.63	0.77	0.78	48.47	325.82	780.73	992.34	1,000.58	898.40	629.44	242.88	36.93
90.00°	16.46	0.86	0.93	0.86	0.85	0.86	0.97	1.48	20.46	224.17	542.18	755.89	767.74	668.89	446.71	169.82	16.46
95.00°	4.96	2.37	1.21	0.97	1.59	1.32	1.20	2.06	6.01	151.41	375.02	571.41	584.66	507.91	311.62	120.23	4.96
100.00°	0.99	0.97	1.89	1.91	1.76	1.52	1.42	1.39	1.80	97.40	263.45	411.41	449.11	370.46	218.12	76.71	0.99
105.00°	0.60	1.14	0.78	2.18	1.84	2.07	1.27	1.61	1.20	56.54	194.13	293.47	337.72	268.22	161.10	42.18	0.60
110.00°	1.22	1.08	0.81	1.06	1.91	1.56	1.05	1.12	2.08	24.71	138.48	212.34	247.13	201.78	117.93	15.98	1.22
115.00°	1.23	1.01	1.13	1.44	1.47	1.46	1.03	0.85	1.20	5.03	87.67	164.50	179.30	147.75	78.72	2.99	1.23
120.00°	1.10	0.62	0.87	0.99	1.04	0.77	0.98	0.85	1.06	0.79	45.35	118.44	134.97	110.54	38.26	0.36	1.10
125.00°	1.31	0.74	0.54	0.88	0.91	1.31	0.74	0.62	1.15	0.92	10.63	62.42	85.42	58.56	9.01	0.66	1.31
130.00°	0.80	1.07	0.76	1.26	1.02	0.91	1.16	0.94	0.96	0.51	1.18	21.52	40.83	19.52	0.84	0.51	0.80
135.00°	1.01	0.86	1.06	0.94	0.98	1.12	0.96	1.25	1.26	0.58	0.52	0.75	2.75	0.64	0.84	0.67	1.01
140.00°	0.77	1.00	0.72	0.73	0.84	0.96	0.93	0.91	1.34	1.34	0.58	0.47	0.64	0.63	0.51	0.76	0.77
145.00°	0.79	0.92	1.68	1.11	0.47	0.84	0.63	1.04	1.53	0.55	0.70	1.13	0.71	1.19	0.40	1.01	0.79
150.00°	1.19	0.83	0.75	1.24	1.09	0.85	1.02	1.13	0.77	0.64	0.52	0.76	0.92	0.71	0.70	0.55	1.19
155.00°	1.49	1.35	0.80	1.26	0.73	0.59	1.04	1.76	1.49	1.74	0.61	0.73	0.56	0.60	0.84	0.45	1.49
160.00°	1.16	2.93	1.06	1.01	0.91	1.33	1.53	1.42	0.81	1.03	0.82	1.03	1.05	0.70	1.34	0.50	1.16
165.00°	0.66	1.56	0.65	0.87	1.43	0.97	2.00	0.83	0.38	0.72	1.27	1.79	0.22	0.94	0.63	0.86	0.66
170.00°	0.88	1.64	2.08	3.09	0.90	2.18	2.26	1.42	2.41	1.21	0.72	0.58	1.21	0.97	0.42	0.51	0.88
175.00°	1.17	1.07	1.84	1.65	2.63	1.28	0.00	1.56	0.69	0.41	1.61	0.38	1.27	1.53	0.65	1.18	1.17
180.00°	2.31	2.31	2.31	2.31	2.31	2.31	2.31	2.31	2.31	2.31	2.31	2.31	2.31	2.31	2.31	2.31	2.31

Spacing Criterion:

Two luminaires, plane 0°	1.25
Two luminaires, plane 90°	0.43
Four luminaires	1.98