

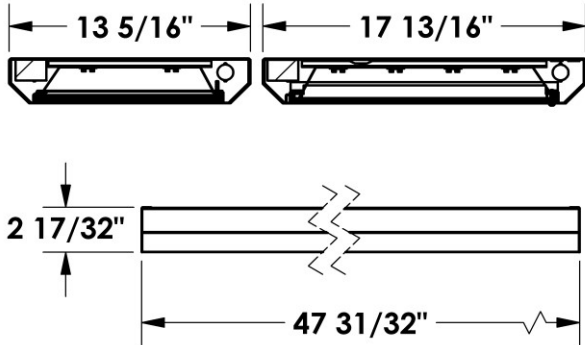
PROJECT:

NOTES:

ORDERING INFORMATION:

EXAMPLE PUHG - 48 - L - 240 - 9 - 40 - L1 - MV - BC6 - D
 SERIES NOM. LENGTH SOURCE LUMENS CRI KELVINS LENS VOLTAGE OPTIONS DRIVER

SHOP DRAWINGS



ORDERING INFORMATION

SERIES

PUHG

KELVIN

- 30 3000K
- 35 3500K
- 40 4000K
- 50 5000K
- TW Tunable White

NOMINAL LENGTH

- 48 48" (18" inch wide)
- 8T 96" L Tandem (18")
- 48N 48" (13" inch wide)
- 8TN 96" L Tandem Narrow (13")

LENS

- 00 No Lens
- A0 Acrylic K12 - 0.95" (standard)
- A1 Acrylic K12 - 0.125"
- L1 Frosted Acrylic - 0.118"
- H1 White Opal Acrylic - 0.125"
- L2 White Frosted Polycarbonate

SOURCE

L LED

LUMENS

MV 120-277V
 347 347V

Lumen Package*	Nominal Lumens
48"	
150	15,000
200	20,000
240	24,000
8T	
150	24,000
200	30,000
400	40,000

*Other lumen packages available.

OPTIONS

- BC# Black Cab Tire Wire #ft
- AC# Suspension Aircraft Cable #ft
- CS# Chain Suspension Kit #ft
- EM Emergency Power Pack

DRIVERS

- ND Non-dimming applications
- D 0-10V dimming
- DA DALI driver

CRI

BLANK 80 CRI
 9 90 CRI

FEATURES

- > Premium-grade high/low bay luminaire designed for athletic applications
- > Robust construction and wireguard to withstand impact of stray balls
- > Wide selection of LED packages available for a broad range of output levels and ceiling heights
- > Variety of lenses for smooth and uniform illumination
- > Minimum 80 CRI; color range 3000K - 5000K available
- > Multiple dimming protocols available
- > Energy-saving occupancy sensor option available
- > Tunable White option available

APPLICATIONS

- > Sport Facilities
- > Gymnasiums
- > Manufacturing Plants
- > Warehouse

LED

FIXTURE PERFORMANCE DATA

SPECIFICATIONS

Housing/Reflector – Precision die-formed 20-gauge cold rolled steel. Door with wireguard secured with screws.

Shielding – Variety of lenses available

Finish – Baked white enamel powder finish applied post production on all surfaces for smooth edges and safe handling

Electrical – High quality mid-power LED boards. L70 >72,000 hours reported / 129,200 hours calculated at maximum allowable output current. L85 >50,000 hours.

Mounting – Suspended or surface

Listings –
 ■ cUL certified as luminaire suitable for dry or damp locations.

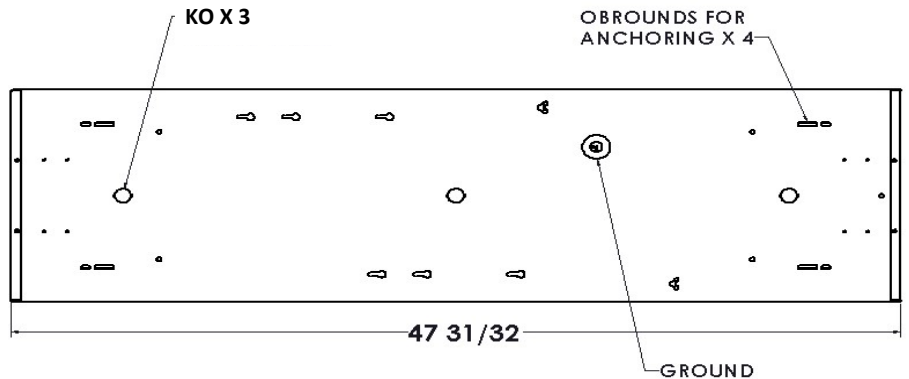
Warranty – 5-year limited warranty

LED PACKAGE	DELIVERED LUMENS	WATTAGE	EFFICACY (lm/W)
48"			
150	14,932	107	140
200	19,918	147	136
240	23,903	177	135

*Results based on 4000K, 80 CRI, Lens A1

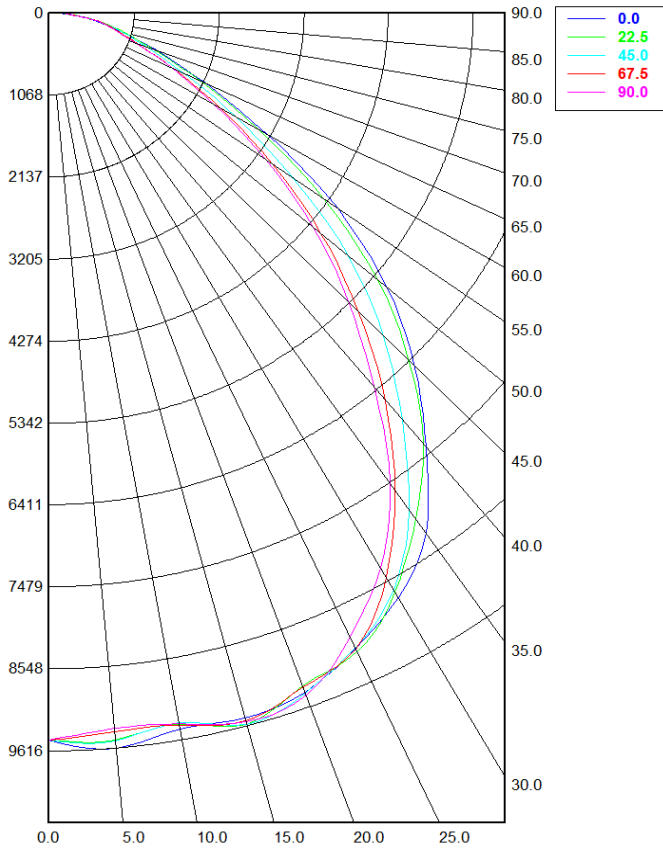
MULTIPLIER TABLE	
COLOR TEMPERATURE	
CCT/CRI	CONVERSION FACTOR
3000K / 80 CRI	0.95
3500K / 80 CRI	0.97
4000K / 80 CRI	1
5000K / 80 CRI	1.03

FIXTURE DETAILS



PHOTOMETRY

PUHG-48-L-240-40-A1-MV Total Luminaire Output: 23,903 lumens; 177 Watts



Candela Table

	0°	22.5°	45°	67.5°	90°
0°	9,474.96	9,474.96	9,474.96	9,474.96	9,474.96
5°	9,616.27	9,506.64	9,519.13	9,405.99	9,359.29
10°	9,476.6	9,408.41	9,394.72	9,422.16	9,408.27
15°	9,508.8	9,592.51	9,592.74	9,549.58	9,563.14
20°	9,415.87	9,329.64	9,428.76	9,348.6	9,458.86
25°	9,140.18	9,192.81	9,134.1	9,144.87	8,975.74
30°	8,801.8	8,719.97	8,686.48	8,498.67	8,355.99
35°	8,276.66	8,054.59	7,907.09	7,599.59	7,495.82
40°	7,393.52	7,332.33	6,922.8	6,592.95	6,385.2
45°	6,527.35	6,424.78	5,966.67	5,523.4	5,344.77
50°	5,563.91	5,407.87	4,923.02	4,464.01	4,336.53
55°	4,426.16	4,211.37	3,724.57	3,420.75	3,322.46
60°	3,164.18	3,040.67	2,723.82	2,496.51	2,401.77
65°	2,165.33	2,087.27	1,874.4	1,727.02	1,693.25
70°	1,428.53	1,400.57	1,288.25	1,194.23	1,159.7
75°	919.28	955.83	923.69	873.38	844.66
80°	580.74	601.47	631.86	609.12	601.11
85°	248.73	269.72	286.78	291.32	270.57
90°	9.83	15.06	25.21	58.27	62.14

Luminaire Spacing Criterion (spacing to mounting height ratio)

- Two luminaires, plane 0° 1.35
- Two luminaires, plane 90° 1.27
- Four luminaires 1.34

Zonal Lumen Summary

Zone	Lumens	% Lamp	% Fixture
0° - 30°	7,819.81	9,060.92%	32.71%
0° - 40°	12,694.6	14,709.4%	53.11%
0° - 60°	20,665	23,944.9%	86.45%
0° - 90°	23,903.1	27,696.8%	100%
90° - 120°	9.22	10.68%	0.04%
90° - 150°	9.22	10.68%	0.04%
90° - 180°	9.22	10.68%	0.04%
0° - 180°	23,903.1	27,696.8%	100%

